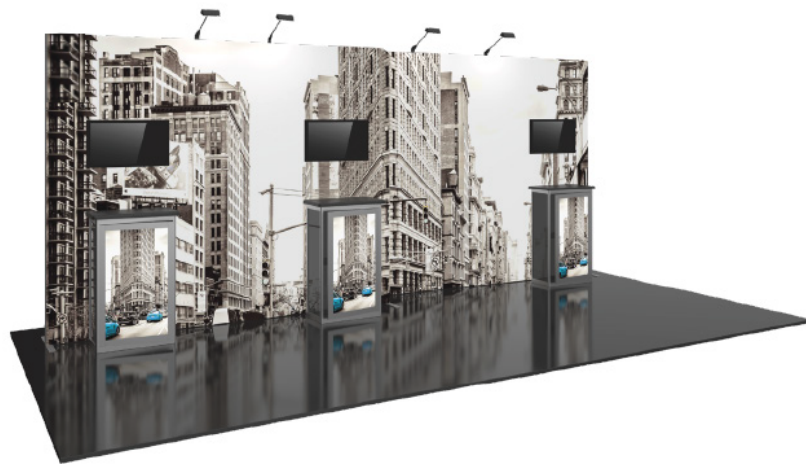


# Hybrid Pro Modular Kit 14

## HP-K-14

Hybrid Pro™ Modular exhibits and counters are a perfect solution for the serious exhibitor. Exhibits feature heavy-duty aluminum extrusion frames and push-fit fabric graphics. Count on making an unforgettable impact with Hybrid Pro Modular exhibit kits, counters, and accessories.



## features and benefits:

- Silver aluminum extrusion frame
- Single-sided fabric graphic
- Easy step-by-step instructions
- Counter available in four thermoformed finishes, shown below
- Kit includes frame, two fabric graphic panels, three counters, three medium monitor mounts, four spotlights, two molded cases
- Lifetime hardware warranty against manufacturer defects

## dimensions:

### Hardware

Assembled unit:  
225.13" w x 94.75" h x 41.69" d  
5718mm(w) x 2407mm(h) x 1059mm(d)

Approximate weight:  
315 lbs / 143 kg

### Shipping

Packing case(s):  
1 SCRATE  
1 OCH2

Shipping dimensions:  
SCRATE:  
59" l x 57" h x 33" d  
1499mm(l) x 1448mm(h) x 838mm(d)

OCH2:  
52" l x 29" h x 15" d  
1321mm(l) x 737mm(h) x 381mm(d)

Approximate total shipping weight:  
464 lbs / 211 kg



This product may include the following materials for recycle: aluminum, select wood, fabric, cardboard, paper, steel, and plastics.

### Graphic

Refer to related graphic template for more information.

Visit:  
<https://www.theexhibitorshandbook.com/download-graphic-templates>

## additional information:

Graphic material:  
Dye-sublimation SEG push-fit fabric  
UV printed on 6mm white Sintra

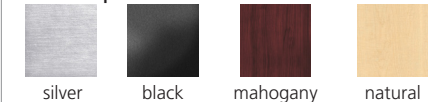
Counter dimensions:  
25.5" w x 39.2" h x 15.1" d  
648mm(w) x 996mm(h) x 384mm(d)

Counter holds max weight 50 lbs / 23 kg

Each medium monitor bracket holds  
32-55" LCD, maximum weight: 50 lbs / 37 kg

\*monitor not included

### Tabletop Colors:

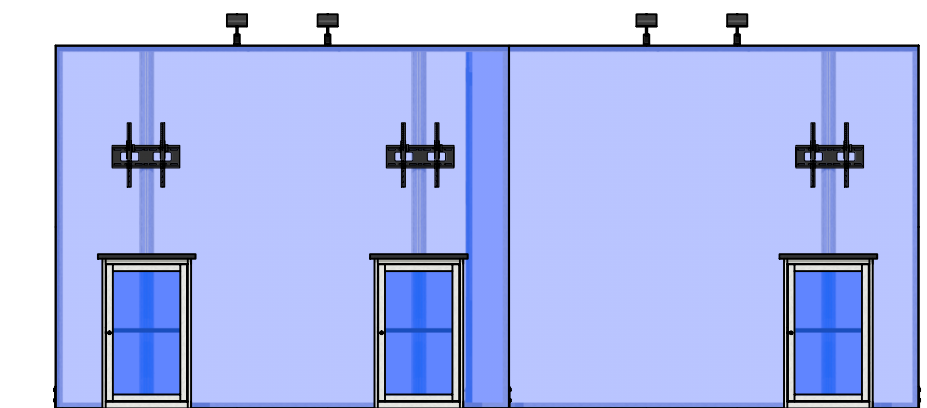
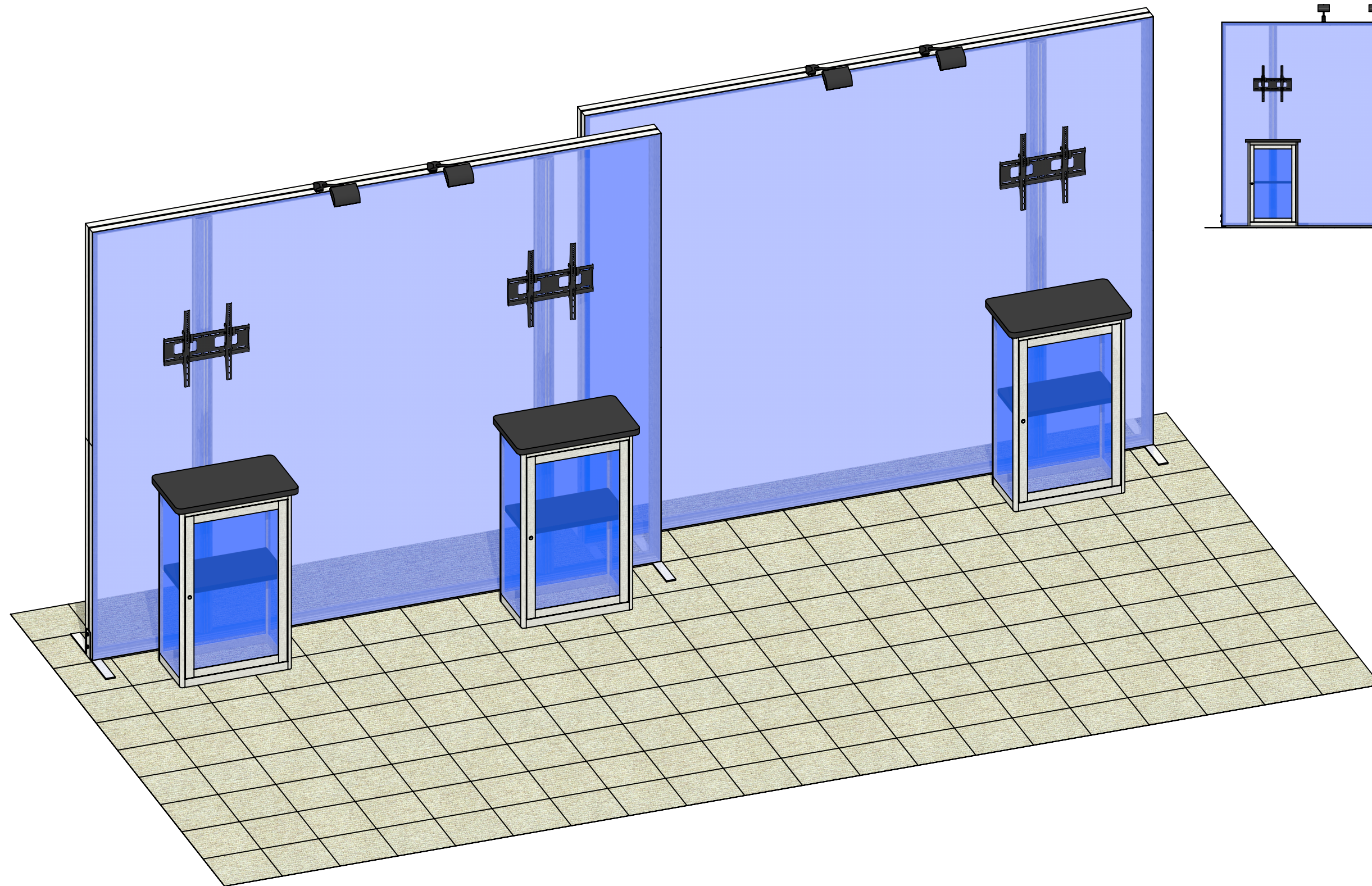


## 2 person assembly recommended:



We are continually improving and modifying our product range and reserve the right to vary the specifications without prior notice. All dimensions and weights quoted are approximate and we accept no responsibility for variance. E&OE. See Graphic Templates for graphic bleed specifications.

HP-K-14

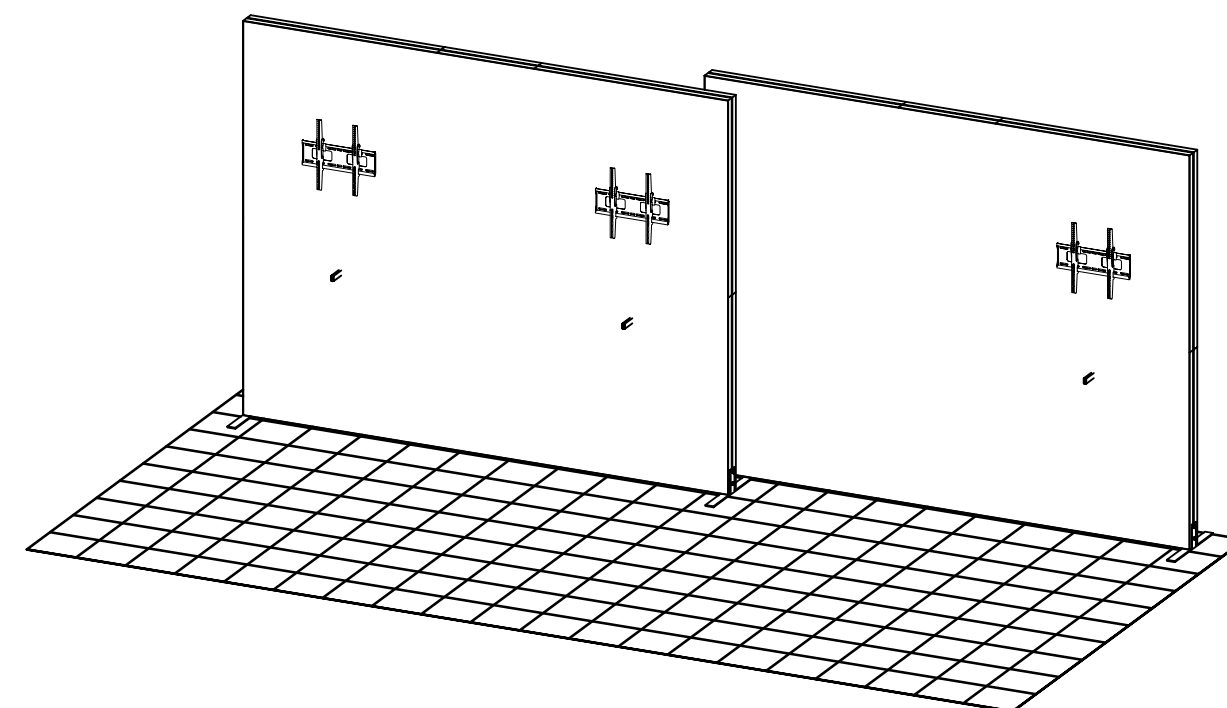
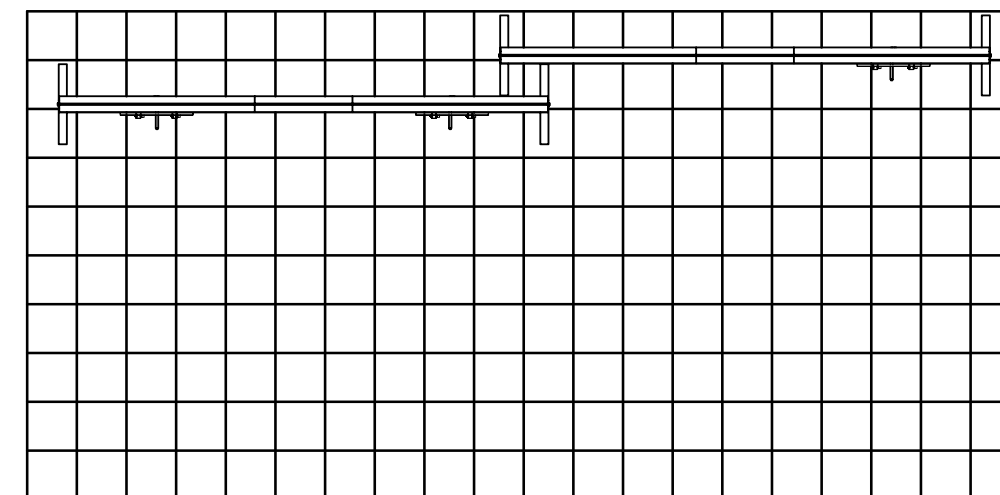


# BOM

## HP-K-14

PART	Code - LABEL	#	Description
PM4R8-1155-A155-L	R12	12	1155MM LENGTH OF PM4R8 EXTRUSION-WITH STOP ONE END/CAM LOCK
PM4DSC-300	R14	6	300mm 4-way internal connection extrusion w/ 8 tension glide
	MM-M-T	3	Medium size LCD Monitor mount, 32"-55" size, 110lb. max.
	SW-FOOT-500	4	Smart Wall Foot, 500mm Length
PHFC4-600-L1-L1	R46	4	600MM LENGTH OF PHFC4 EXTRUSION-WITH IB2 LOCK HOLES BOTH
	IB2-O	12	Joiner Bar (OLD STYLE)
PHFC4-1200-L1-MCB9	R10	16	1200MM LENGTH OF PHFC4 EXTRUSION-WITH MITRE CUT FOR CB9
	CB9	8	90 degree joiner
	GRAPHIC( A1 )	2	(121.99 w X 98.37 h total size ) 117.99 w X 94.37 h finished size Dye-sub print on Eclipse Blockout Stretch, single sided, sewn with FCE-2 si
PH1-100-L-L	R48	3	100MM LENGTH OF PH1 EXTRUSION-WITH CAM LOCK-WITH CAM LOCK

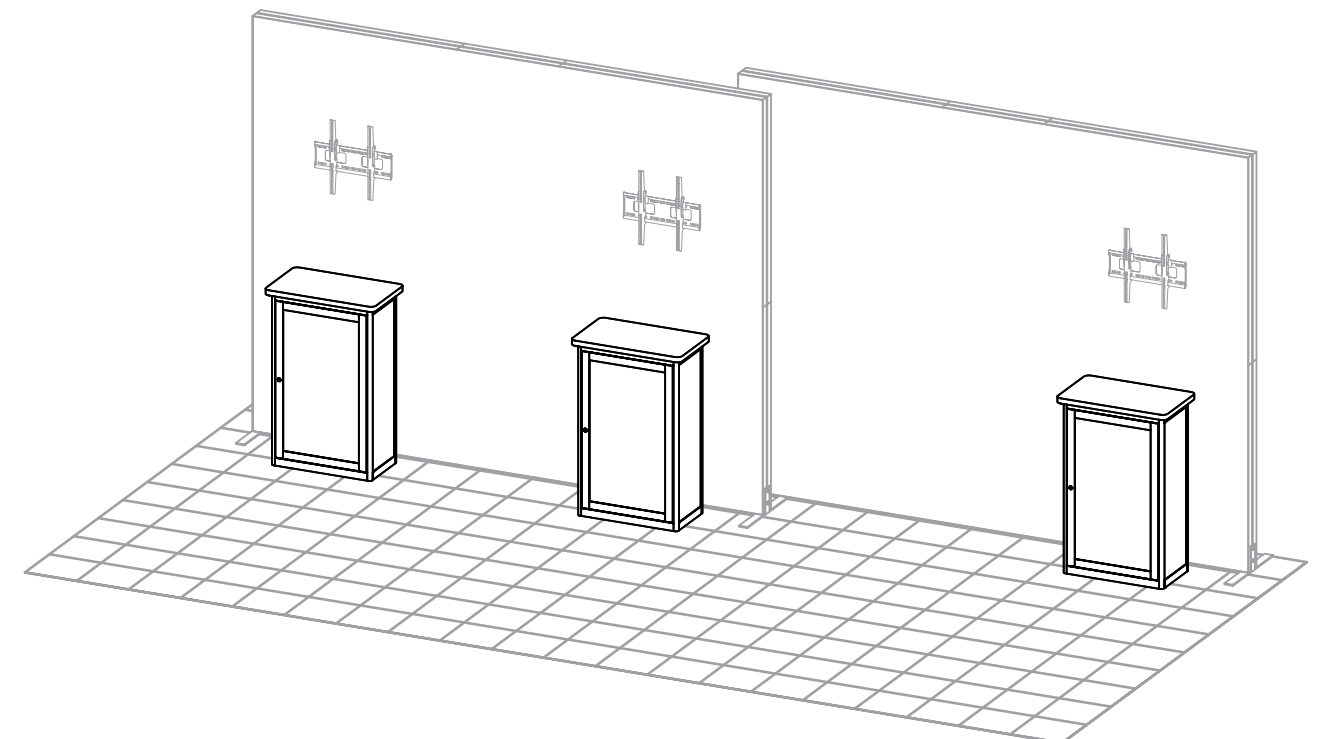
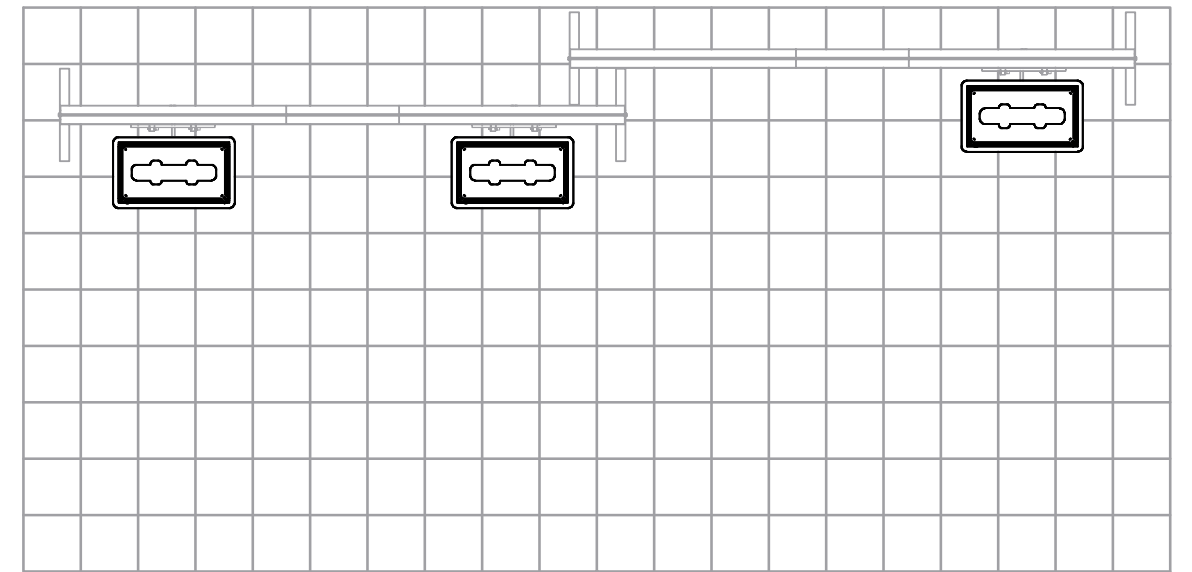
HARDWARE	#	Description
1/4-20-FLANGE-WING-NUT	5	1/4"-20 zinc alloy flange wing nut (7/8" wing spread)
5MM-ALLEN-T	1	5mm "T" Allen key tool, red handle
BOLT-1-1/2	6	1/4-20 x 1 1/2" Square Head Bolt
FABRIC-STEAMER-ES	1	120V steamer with 600 watts of steaming power VS-424W
LN100-2-NS	2	Package of two LN100 connecting bars (WITHOUT SCREWS)
PACK-HEX-48X96X1.125	1	new hexacomb packing panel 48x96x1.125 (2-.563 panels)
TUR00052	8	M5 thumbscrew, 1cm length
V-CU-06-F	3	Velocity Rectangle Counter (FRAME ONLY NO CASE)
V-PK-41-100	1	1225mm x 340mm (48-1/4"x13-3/8") 1000mm tray
V-PK-42-100	11	1222mm x 610mm (48-1/8" x 24" tray 100mm w/ handle
V-PK-B-100	4	1100MM X 135MM (43 1/4" X 5 3/8") 100MM TRAY
SCRATE	1	S Crate



# BOM

## V-CU-06

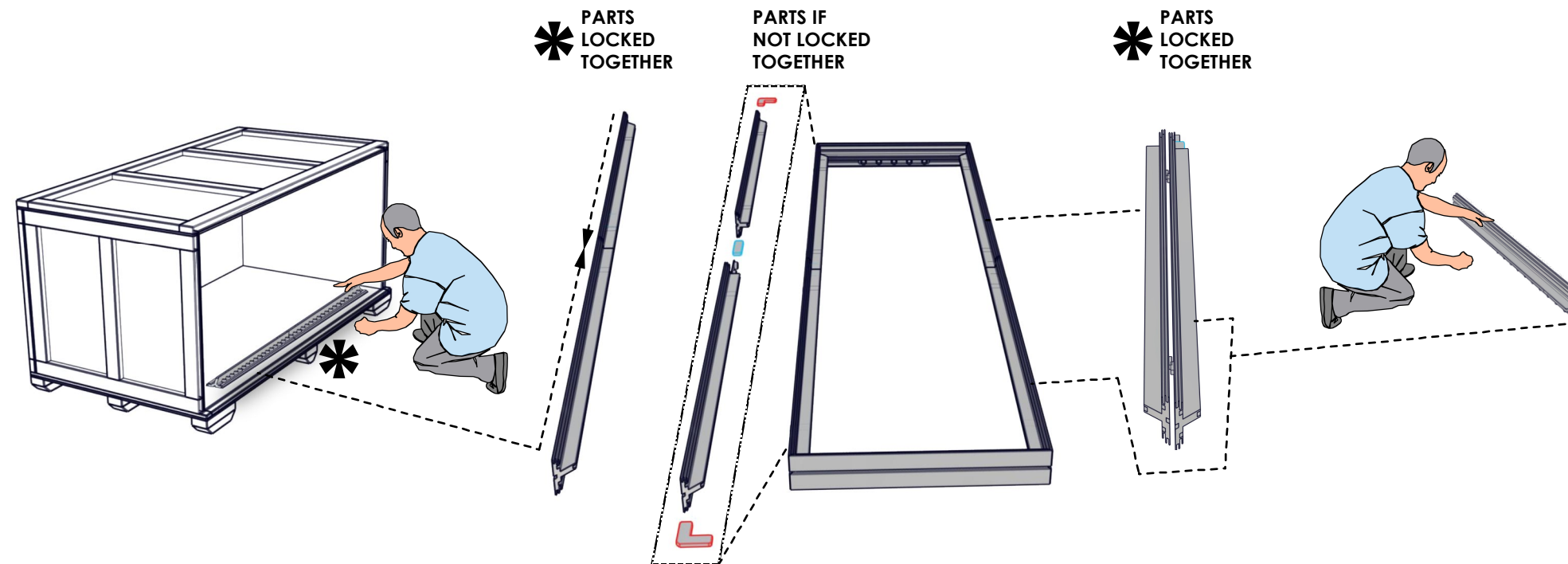
PART	Code-LABEL	#	Description
V-CAB-01-DR	R52	3	581MM X 1000MM (22 7/8" X 39 3/8") CABINET DOOR□□□
	GRAPHIC D	6	922mm x 292mm (36 5/16 x 11 1/2) side sintra/foamex
	V-CW-CT-01	3	384mm x 646mm(15 1/8" x 25 7/16") Hybrid rectangle top
PH-280-S-S	R50	12	P280MM (11") PH WITH SLIDE LOCKS AT BOTH ENDS (VC-01)
	SS1-S	12	SILVER SS1 SHELF SUPPORTS
	V-CU-CAB-01-S	3	.625 MDF blk txt 292mm x 553 internal shelf
V-CAB-01-FR	R53	3	581MM X 1000MM (22 7/8" X 39 3/8") FRONT FRAME W/ SLITS□□□



## SET-UP NOTES

1. Redesign of this exhibit without approval by Manufacturer may result in dangerous and unsafe structures. Manufacturer disclaims any responsibility for redesigned exhibits it does not approve in writing.
2. Parts and components such as panels and extrusions are manufactured to metric sizing. Where ever possible sizes have been noted in feet and inches as well as in metric. Below is the imperial to metric sizing table as reference. "Nominal" refers to approximate size.

**NOTE: PARTS MAY COME LOCKED TOGETHER FOR PACKING PURPOSES.**



### IMPERIAL TO METRIC SIZES

8' Nominal = 94 1/2" or 2400mm Actual  
 4' Nominal = 47 1/4" or 1200mm Actual  
 3' Nominal = 35 7/16" or 900mm Actual  
 2' Nominal = 23 5/8" or 600mm Actual  
 1' Nominal = 11 13/16" or 300mm Actual

# FABRIC, VINYL & UV GRAPHIC CARE GUIDELINES

## GENERAL HANDLING FABRIC GRAPHICS

- Your fabric graphics should always be handled in a clean, dry area with clean hands. When possible, use white fabric gloves.
- Be sure fabric is clean and dry before packing.
- Machine washing and/or drying is not recommended for all fabrics. Refer to chart below for which fabrics are washable.

## EMERGENCY STAIN TREATMENT (FABRIC)

- For dry stains, like loose dirt or pencil marks, try initially using masking tape or Magic Eraser (dry-not moistened).
  - Masking tape or MagicEraser (dry) can be quite effective at lifting dry, surface dirt. Try 'pulling' as much of stain away as you can. Avoid rubbing stain into fabric.
- Introduce water or liquid cleaner for stains not responsive to masking tape or dry Magic Eraser.
  - When using liquids to treat stains, if at all possible, treat the stain with fabric off of the frame.
  - Place a clean dry cloth behind stain (to absorb stain while being treated). Moisten another cloth initially with just water (distilled water is optimal, if available).
  - Gently blot stain with moistened cloth (or small area of moistened Magic Eraser), while trying to push stain through to the back, using the dry cloth to absorb.
  - Repeat using care to keep the wet area as small as possible.
- Grandma's Secret Spot Remover can be an effective stain remover. Mix several drops in a small cup with clean water. Repeat above technique, taking care to keep wet area as small as possible and using dry cloth on back of stain to absorb.

## MACHINE WASHING FABRIC GRAPHICS

- Cold water/delicate cycle/tumble dry low or air dry. For stretch fabrics do not use dryer, let hang dry.
- Use caution on dryer time with graphics containing liners. Its best to put tension fabric on frame when fabric is still damp and let it air dry. Always be sure that the aluminum frame is clean when mounting the damp graphic.
- Fabric stretch graphics that are washed and machine dried may shrink up to 3/4" per every 50" of fabric in the direction of the stretch and shrink up to 1/4" in the non stretch direction.

## STORING & PACKING BACKLIT GRAPHICS

- To avoid cracks in the ink or having to steam graphics, Backlit fabrics should be loosely folded with bubble wrap or stored around a tube.
- Avoid folding the graphic tightly to store in a small bag or box.

## GENERAL HANDLING VINYL & UV GRAPHICS

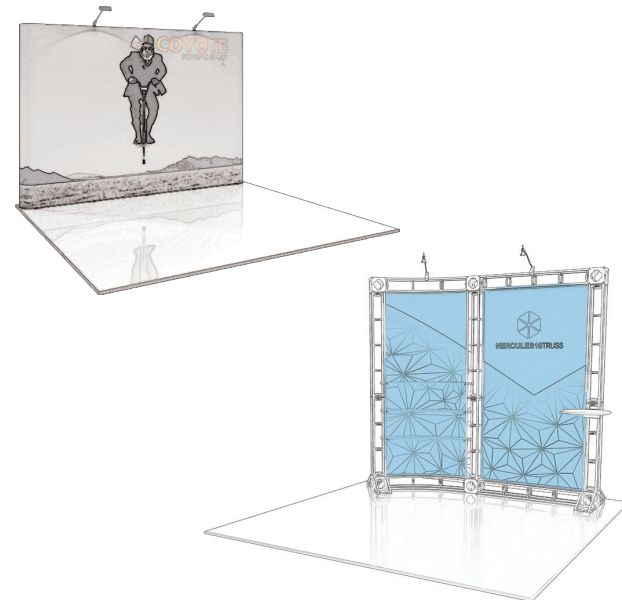
- Vinyl banners and rigid graphics should always be handled in a clean, dry area with clean hands. When possible, use white fabric gloves.
- Be sure vinyl/ UV is clean and dry before packing. Always follow material handling and packing instructions included.
- All vinyl materials should be rolled with graphics facing in to protect the graphic printed side. Roll on a tube if available.
- Avoid folding materials to reduce the risk of crease lines and chipped inks. If a graphic must be folded, try to fold loosely and as few times as possible.

## EMERGENCY STAIN TREATMENT (UV)

- For drier stains, like loose dirt, pencil marks or adhesive, try initially using masking tape. Masking tape can be quite effective at lifting dry, surface dirt. Try 'pulling' as much of stain away as you can and avoid rubbing the stain into the material.
- When using Solvent to clean a stain be sure to avoid any image. Solvent is aggressive and will take the image off. Soapy water should be used at a ratio of 1 part Dawn® /10 parts water.
- While using Windex® avoid scrubbing harshly. Too much pressure can fade the graphic print.

## GENERAL HANDLING OF ROLLABLE PVC PANELS

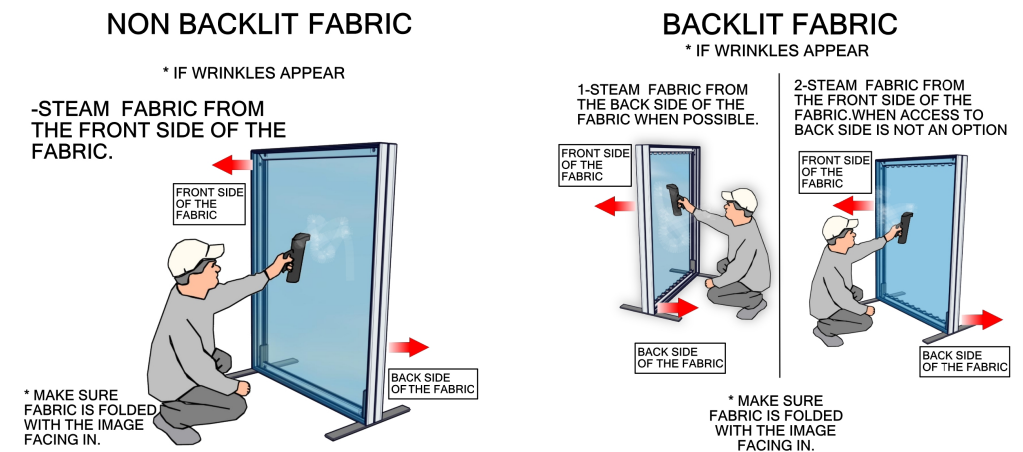
All mural panels, truss panels and detachables should be rolled with graphics facing out to protect the graphic printed side. Mural panels should be stored in the original plastic sleeves that are provided with the panels.



# FABRIC, VINYL & UV GRAPHIC CARE GUIDELINES

## STEAMING FABRIC GRAPHICS

- For optimal results, steam wrinkles when fabric is tensioned and installed securely on the frame.
- Fill steamer with clean drinking water or distilled water. Avoid using water containing hard minerals.
- Hold steamer upright and hold close to fabric. Avoid touching fabric with steamer.
- Do not tip steamer as water drips may cause water marks to form on graphic.



## HANDLING REFERENCE CHART

FABRIC	WASHING MACHINE	DRY CLEAN	SPOT CLEAN	STEAMING/ IRON	MAGIC ERASER
RESILIENCE	NO	NO	NO	NO	YES (ONLY ON WHITE)
OXFORD	YES	YES	YES	YES	YES
POWER STRETCH	YES	YES	YES	YES	YES
DISPLAY POLYESTER	YES	YES	YES	YES	YES
DISPLAY POLY CONVERTIBLES TABLE THROWS	YES (MUST VELCRO THE TABS)	YES (MUST VELCRO THE TABS)	YES	YES	YES
OUTDOOR FLAG	YES	N/A	YES	YES	YES
CANVAS OUTDOOR	NO	NO	YES	STEAM ONLY	YES
CANVAS LIGHTBOX	NO	NO	NO	STEAM ONLY	YES
AGILITY	YES	YES	YES	(ONLY W/ 100% TENSION)	YES
SUPER STRETCH	YES	YES	YES	(ONLY W/ 100% TENSION)	YES
TRIPLE WHITE	YES	YES	NO	YES	NO
ECLIPSE	NO	NO	YES	STEAM ONLY	YES
SOFT KNIT	YES	YES	YES	YES	YES
SHEER	YES	YES	YES	YES	YES

## VINYL & ROLLABLE

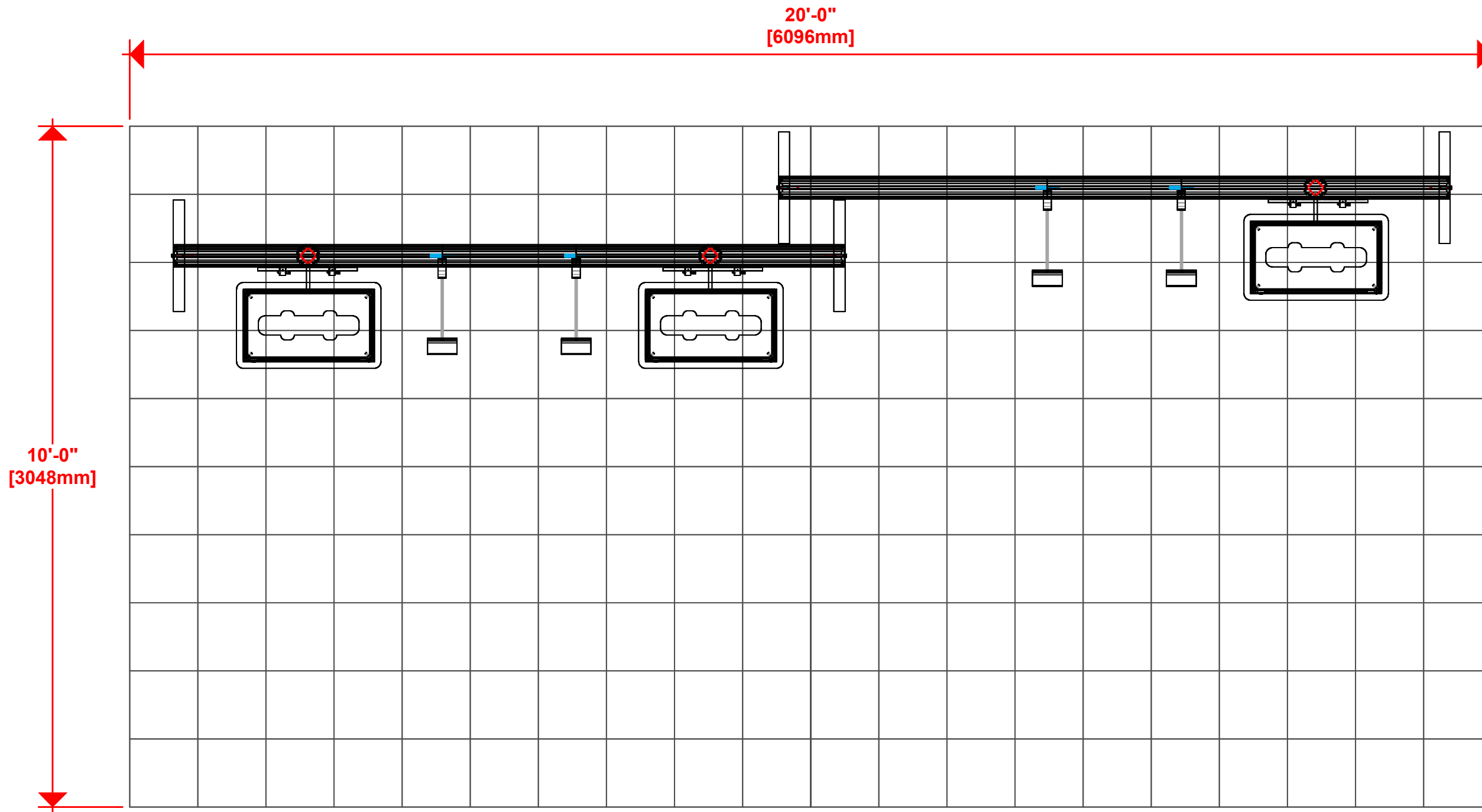
	SOLVENT	SOAPY WATER (DAWN®)	WINDEX®
FLATMAXX	ONLY ON WHITE	YES	NO
SCRIM 130Z/ 180Z	ONLY ON WHITE	YES	NO
VINYL 200Z	ONLY ON WHITE	YES	NO
MELINEX	NO	YES	NO
MURAL PANELS	NO	YES	YES
UV RIDGED	NO	YES	YES

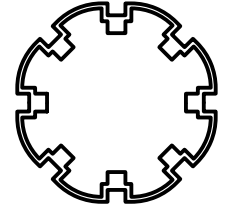
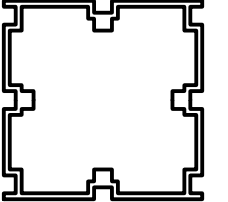
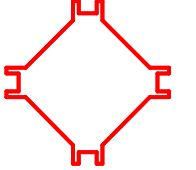
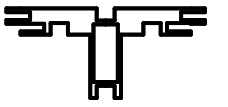
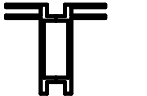




1. Redesign of this exhibit without approval by manufacturer may result in dangerous and unsafe structures. Manufacturer disclaims any responsibility for redesigned exhibits it does not approve in writing.

2. Parts and components such as panels and extrusions are manufactured to metric sizing. Where ever possible sizes have been noted in feet and inches as well as in metric. Below is the imperial to metric sizing table as reference. "Nominal" refers to approximate size.

- |                    |                                   |
|--------------------|-----------------------------------|
| 2400mm = (94 1/2") | ☒ Phone Line / Fax                |
| 2100mm = (82 5/8") | ☒ Internet connection             |
| 1800mm = (70 7/8") | ☒ Outlet                          |
| 1500mm = (59")     | ☒ Main Drop (point of distrution) |
| 1200mm = (47 1/4") |                                   |
| 900mm = (35 1/2")  |                                   |
| 600mm = (23 5/8")  |                                   |
| 300mm = (11 7/8")  |                                   |
- Wire running under carpet

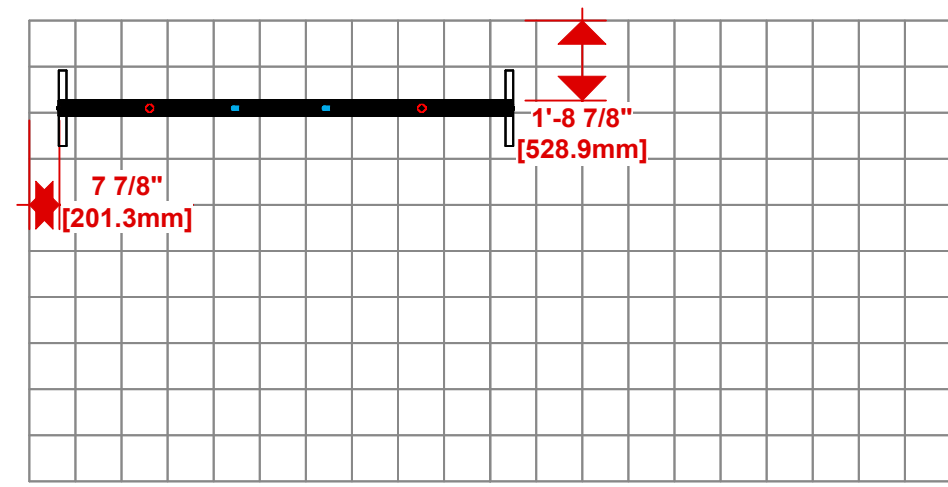


-  PM4R8
-  PM4S2
-  PM4DSC
-  PHFC4
-  PHFC2
-  PH
-  PH4-TG

**HYBRID PRO RENTAL KIT**

Title: SET-UP INSTRUCTIONS

Code	#	Description
SW-FOOT-500	2	Smart Wall Foot, 500mm Length
R46	2	600MM LENGTH OF PHFC4 EXTRUSION-WITH IB2 LOCK HOLES BOTH
IB2-O	6	Joiner Bar (OLD STYLE)
R10	8	1200MM LENGTH OF PHFC4 EXTRUSION-WITH MITRE CUT FOR CB9
CB9	4	90 degree joiner
R12	4	1155MM LENGTH OF PM4R8 EXTRUSION-WITH STOP ONE END/CAM LOCK
R14	2	300mm 4-way internal connection extrusion w/ 8 tension glide

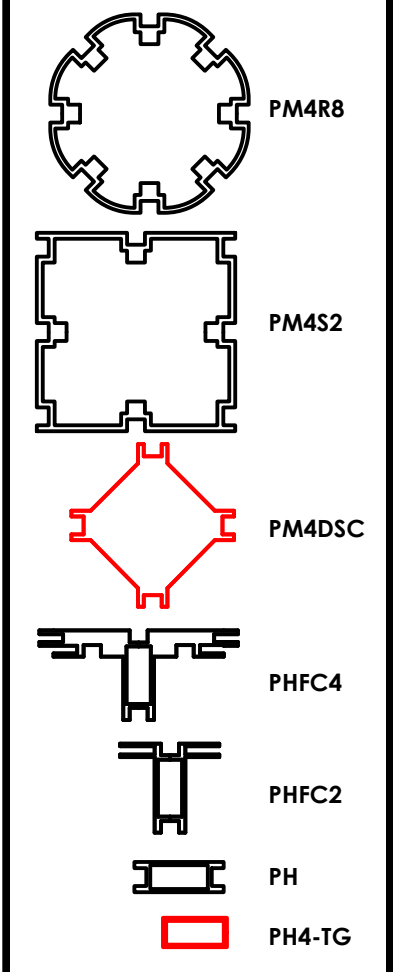
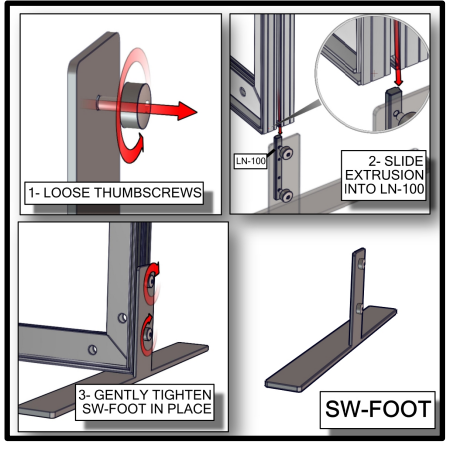
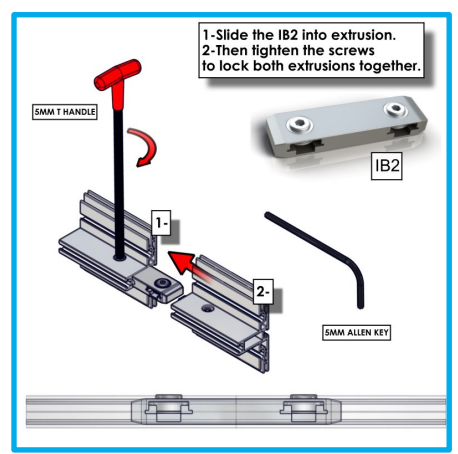
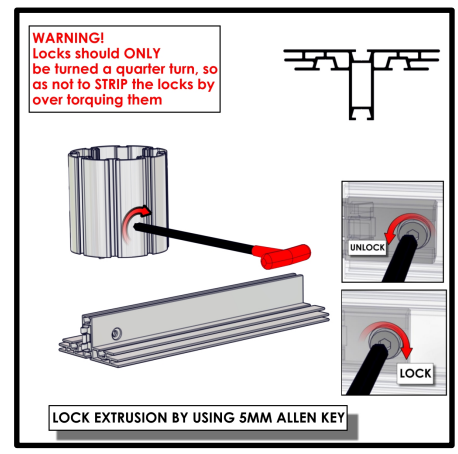
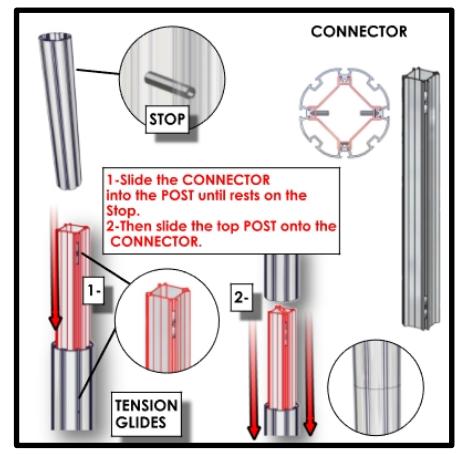
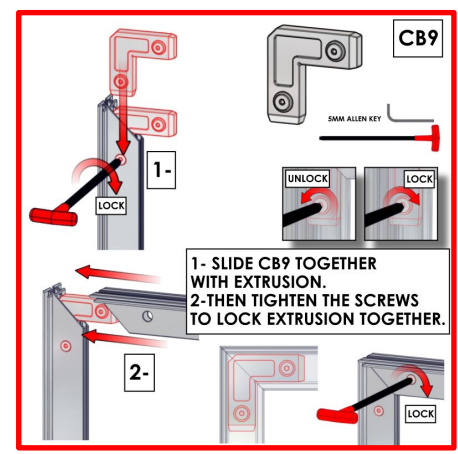
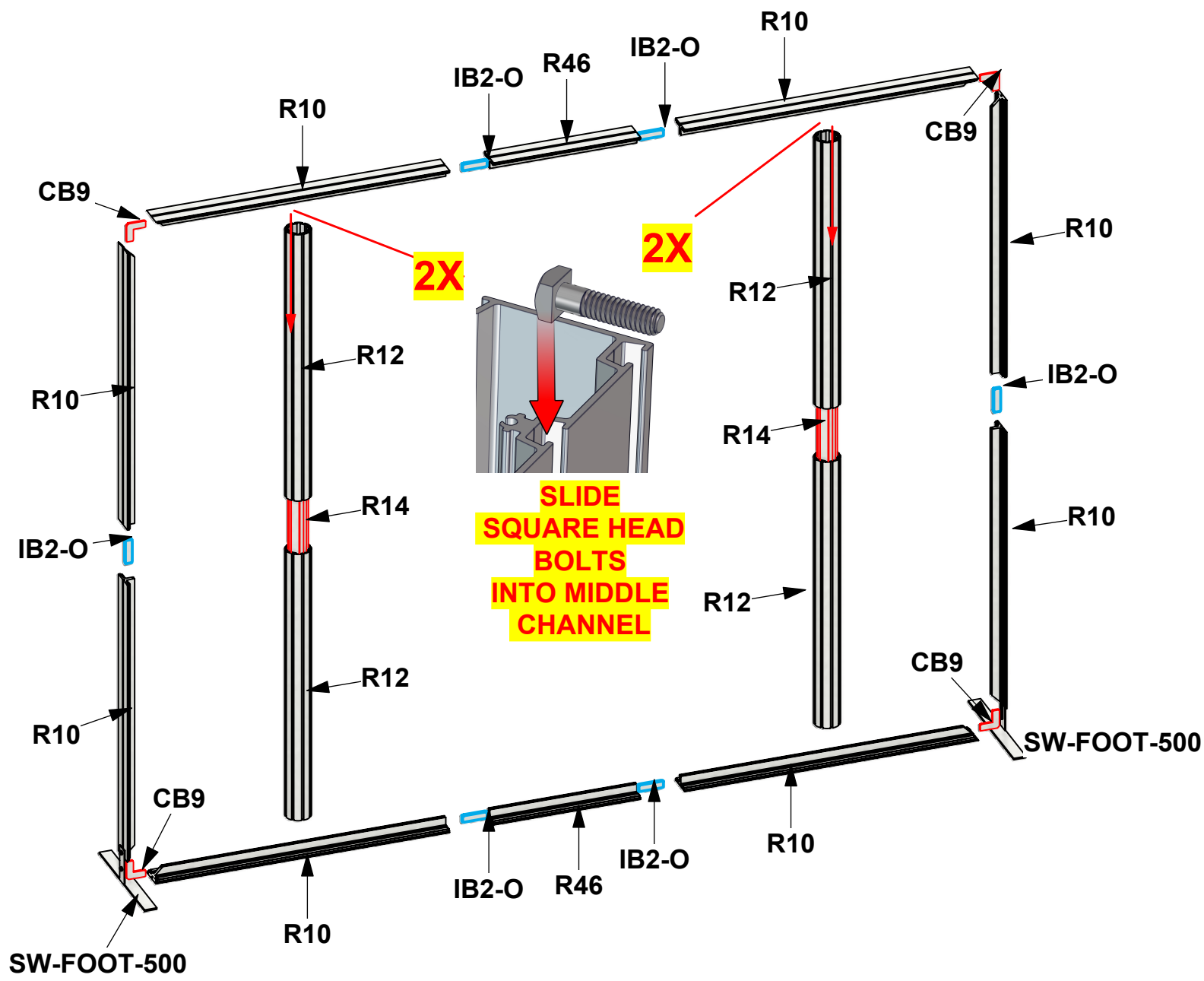


1. Redesign of this exhibit without approval by manufacturer may result in dangerous and unsafe structures. Manufacturer disclaims any responsibility for redesigned exhibits it does not approve in writing.

2. Parts and components such as panels and extrusions are manufactured to metric sizing. Where ever possible sizes have been noted in feet and inches as well as in metric. Below is the imperial to metric sizing table as reference. "Nominal" refers to approximate size.

2400mm = (94 1/2")	Phone Line / Fax
2100mm = (82 5/8")	Internet connection
1800mm = (70 7/8")	Outlet
1500mm = (59")	Main Drop (point of distrution)
1200mm = (47 1/4")	
900mm = (35 1/2")	
600mm = (23 5/8")	
300mm = (11 7/8")	

--- Wire running under carpet



**HYBRID PRO RENTAL KIT**

Title: SET-UP INSTRUCTIONS



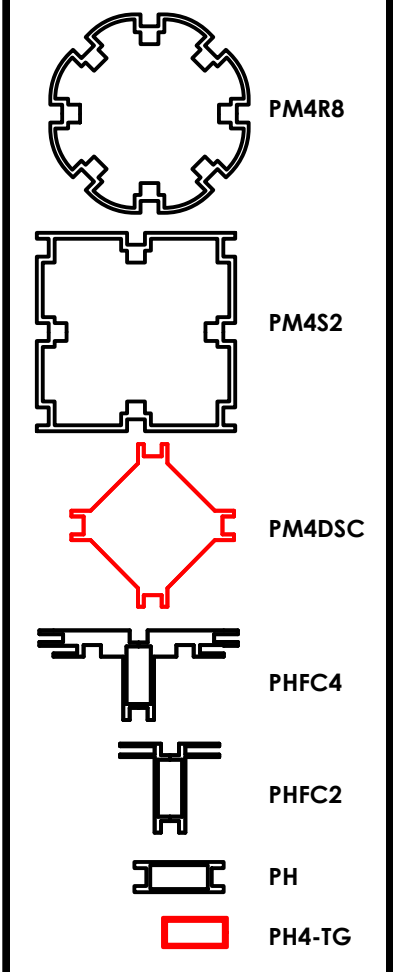
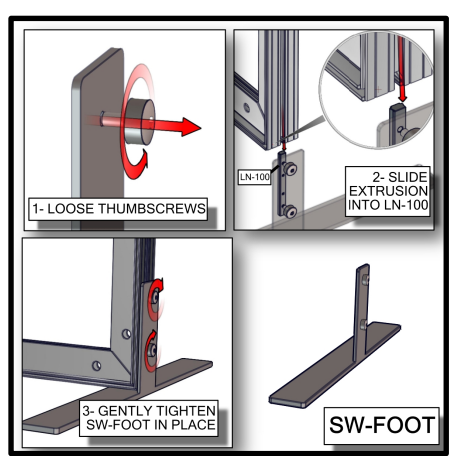
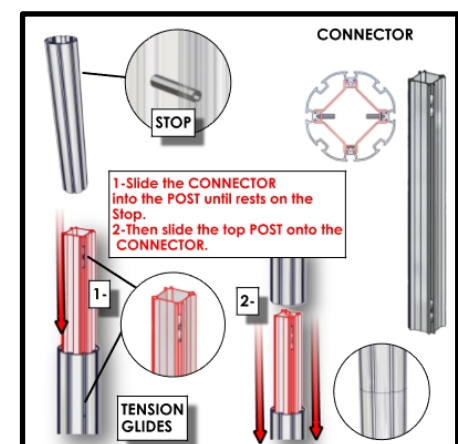
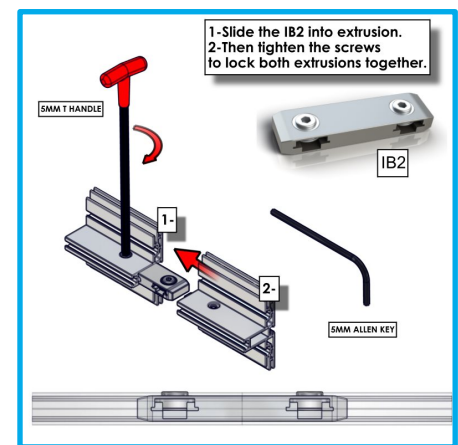
Code	#	Description
SW-FOOT-500	2	Smart Wall Foot, 500mm Length
R46	2	600MM LENGTH OF PHFC4 EXTRUSION-WITH IB2 LOCK HOLES BOTH
IB2-O	6	Joiner Bar (OLD STYLE)
R10	8	1200MM LENGTH OF PHFC4 EXTRUSION-WITH MITRE CUT FOR CB9
CB9	4	90 degree joiner
R12	2	1155MM LENGTH OF PM4R8 EXTRUSION-WITH STOP ONE END/CAM LOCK
R14	1	300mm 4-way internal connection extrusion w/ 8 tension glide

1. Redesign of this exhibit without approval by manufacturer may result in dangerous and unsafe structures. Manufacturer disclaims any responsibility for redesigned exhibits it does not approve in writing.

2. Parts and components such as panels and extrusions are manufactured to metric sizing. Where ever possible sizes have been noted in feet and inches as well as in metric. Below is the imperial to metric sizing table as reference. "Nominal" refers to approximate size.

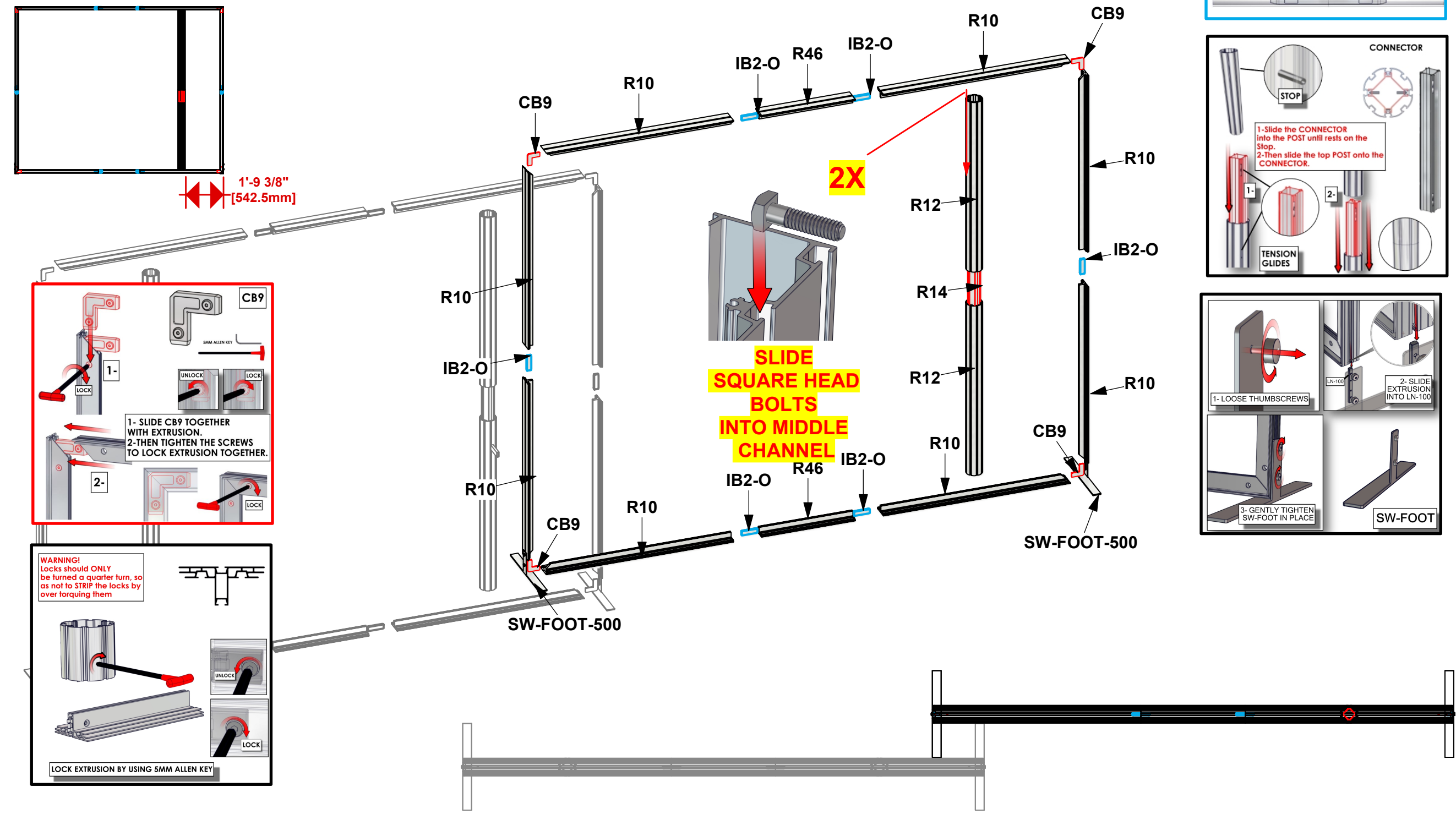
2400mm = (94 1/2")	Phone Line / Fax
2100mm = (82 5/8")	Internet connection
1800mm = (70 7/8")	Outlet
1500mm = (59")	Main Drop (point of distrution)
1200mm = (47 1/4")	
900mm = (35 1/2")	
600mm = (23 5/8")	
300mm = (11 7/8")	

--- Wire running under carpet



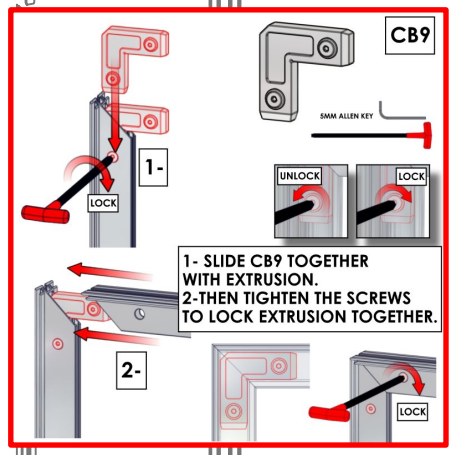
**HYBRID PRO RENTAL KIT**

Title: SET-UP INSTRUCTIONS

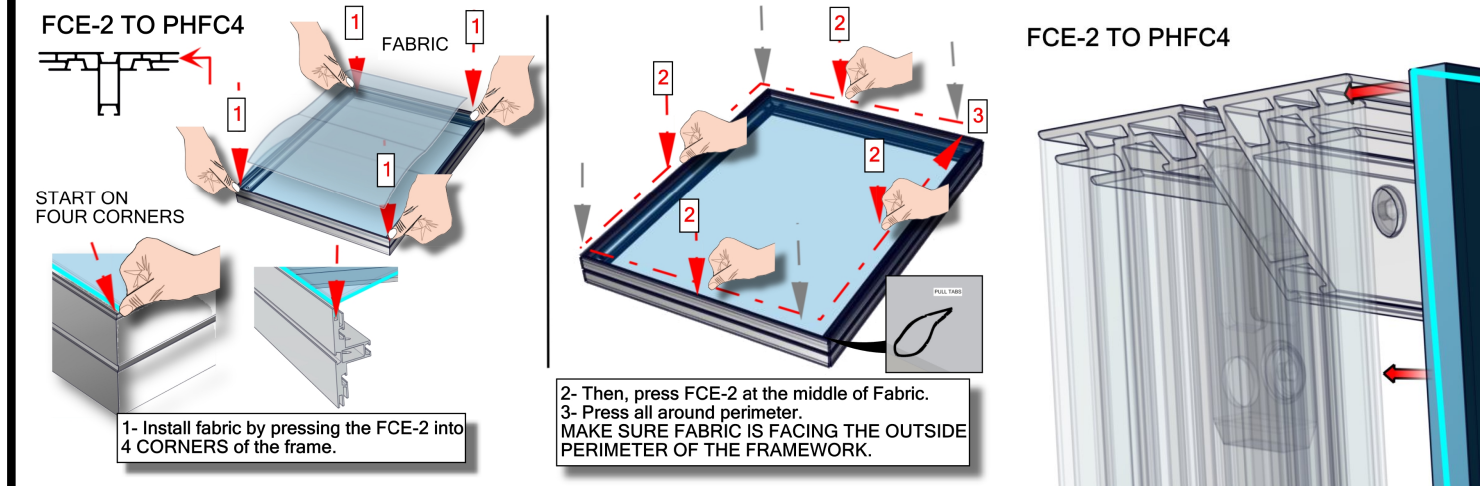


**SLIDE SQUARE HEAD BOLTS INTO MIDDLE CHANNEL**

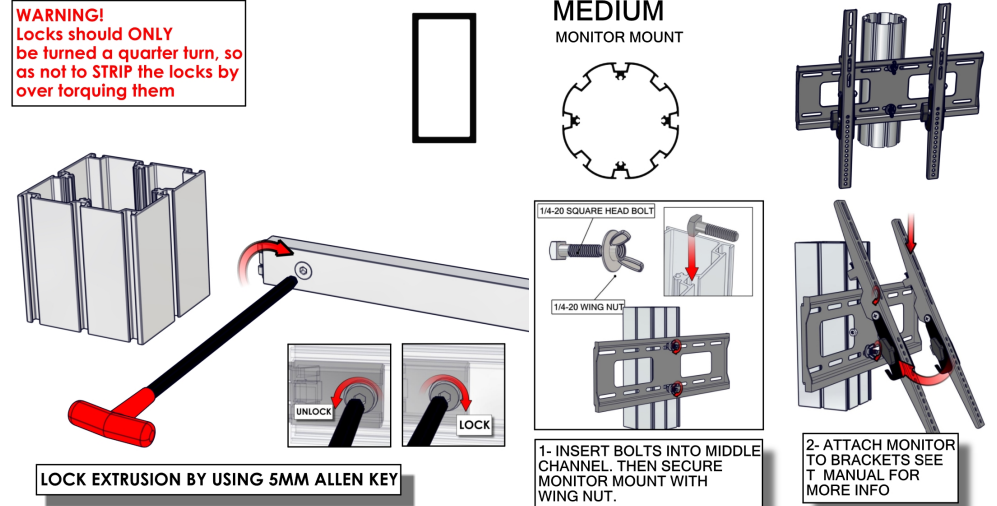
**2X**



Code	#	Description
MM-M-T	3	Medium size LCD Monitor mount, 32"-55" size, 110lb. max.
GRAPHIC( A1	2	(121.99 w X 98.37 h total size ) 117.99 w X 94.37 h finished size Dye-sub print on Eclipse Blockout Stretch, single
R48	3	100MM LENGTH OF PH1 EXTRUSION-WITH CAM LOCK-WITH CAM LOCK



**WARNING!**  
Locks should ONLY be turned a quarter turn, so as not to STRIP the locks by over torquing them

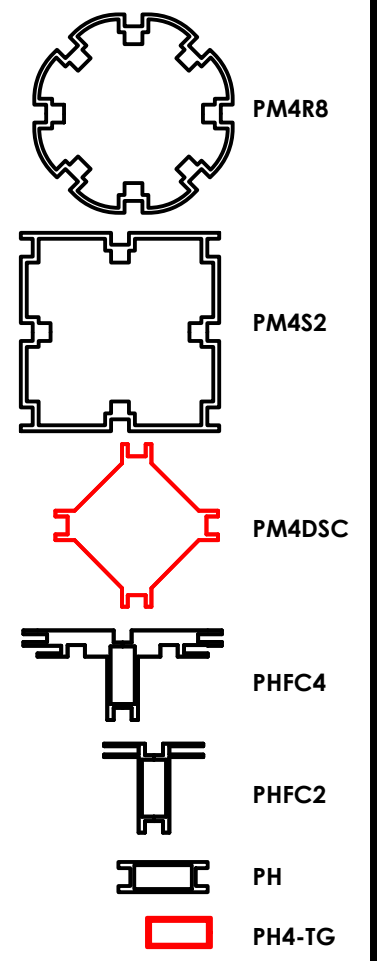


1. Redesign of this exhibit without approval by manufacturer may result in dangerous and unsafe structures. Manufacturer disclaims any responsibility for redesigned exhibits it does not approve in writing.

2. Parts and components such as panels and extrusions are manufactured to metric sizing. Where ever possible sizes have been noted in feet and inches as well as in metric. Below is the imperial to metric sizing table as reference. "Nominal" refers to approximate size.

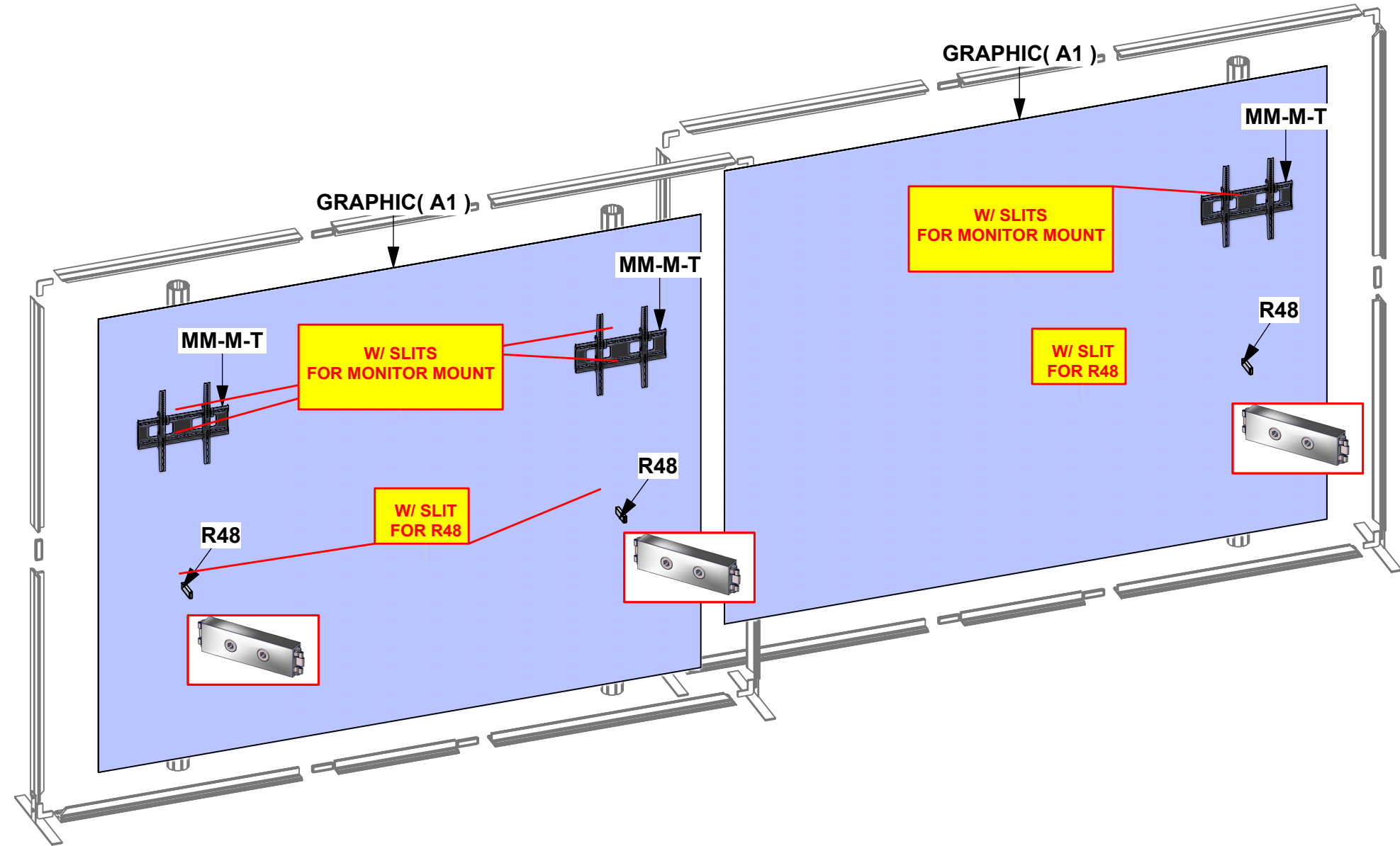
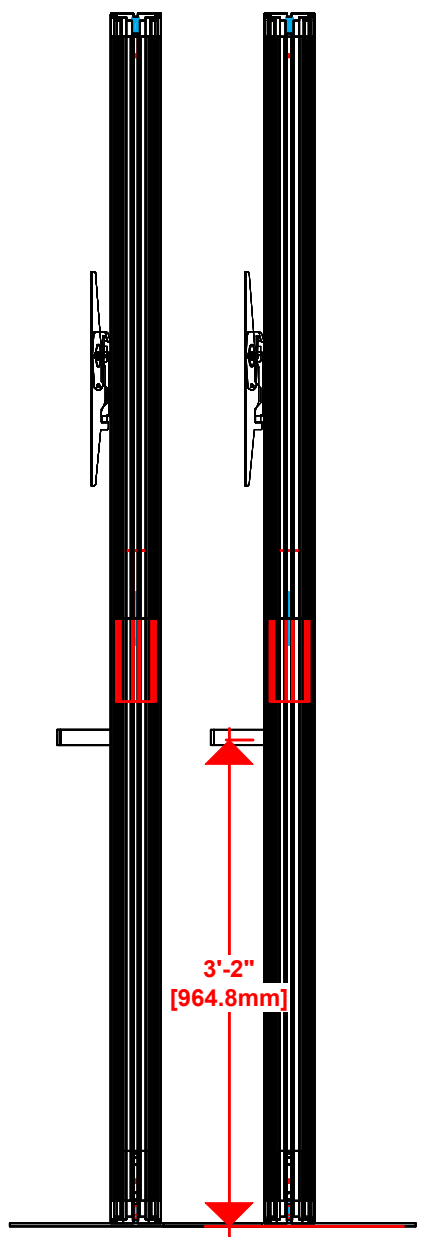
2400mm = (94 1/2")	Phone Line / Fax
2100mm = (82 5/8")	Internet connection
1800mm = (70 7/8")	Outlet
1500mm = (59")	Main Drop (point of distrution)
1200mm = (47 1/4")	
900mm = (35 1/2")	
600mm = (23 5/8")	
300mm = (11 7/8")	

Wire running under carpet

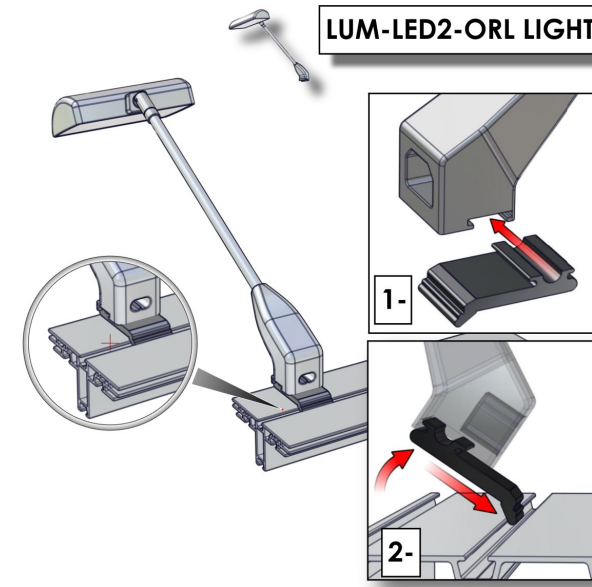
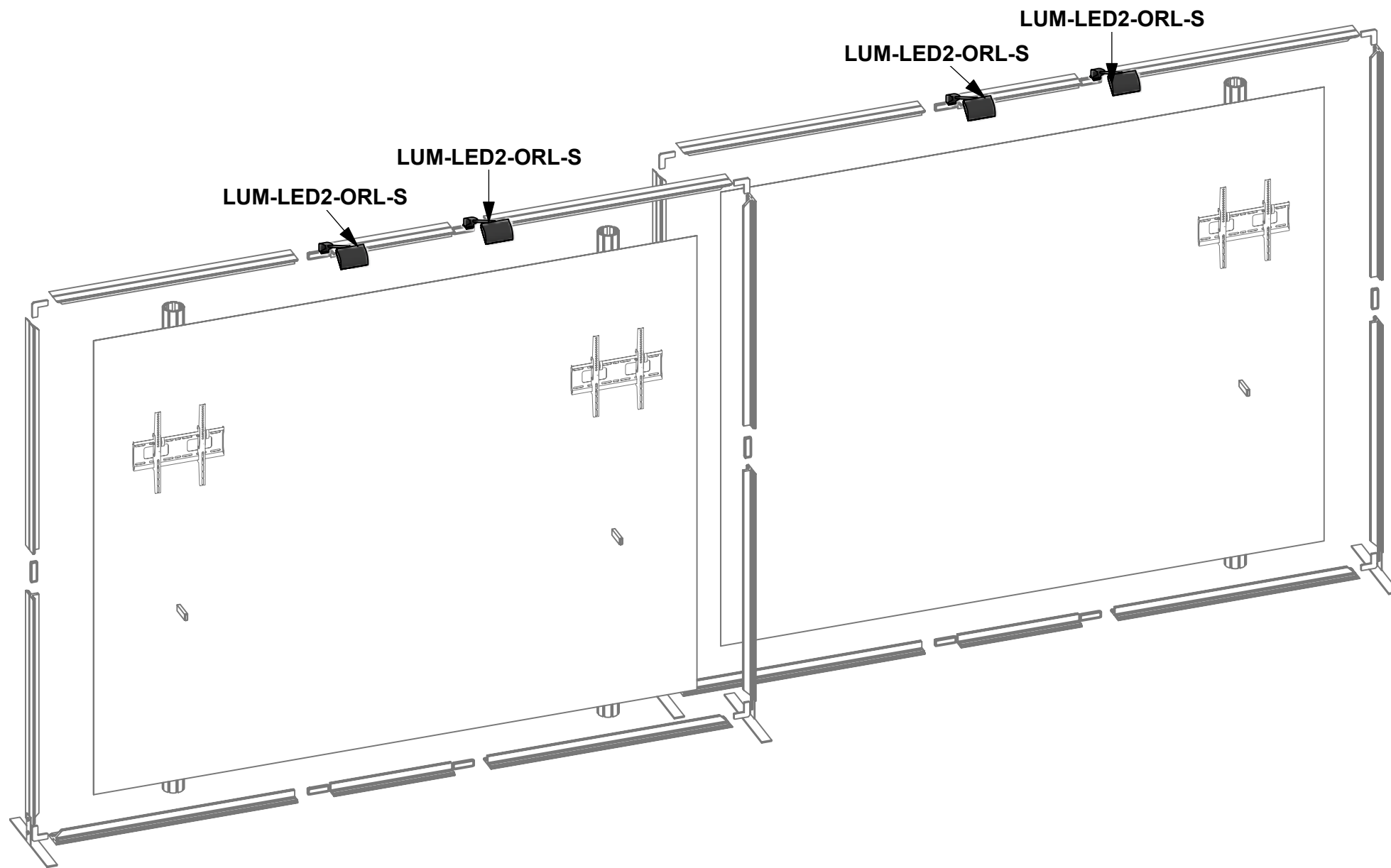


**HYBRID PRO RENTAL KIT**

Title: SET-UP INSTRUCTIONS



Code	#	Description
LUM-LED2-ORL-S	4	LED arm light with universal light clamp, silver .1.15



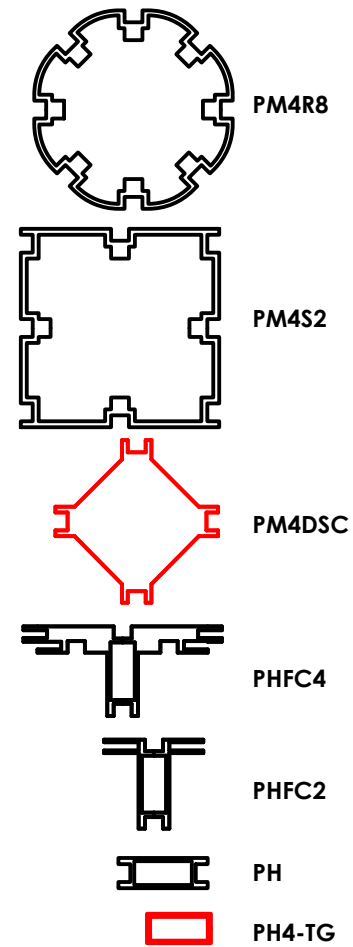
1. Redesign of this exhibit without approval by manufacturer may result in dangerous and unsafe structures. Manufacturer disclaims any responsibility for redesigned exhibits it does not approve in writing.

2. Parts and components such as panels and extrusions are manufactured to metric sizing. Where ever possible sizes have been noted in feet and inches as well as in metric. Below is the imperial to metric sizing table as reference. \*Nominal" refers to approximate size.

- 2400mm = (94 1/2")
- 2100mm = (82 5/8")
- 1800mm = (70 7/8")
- 1500mm = (59")
- 1200mm = (47 1/4")
- 900mm = (35 1/2")
- 600mm = (23 5/8")
- 300mm = (11 7/8")

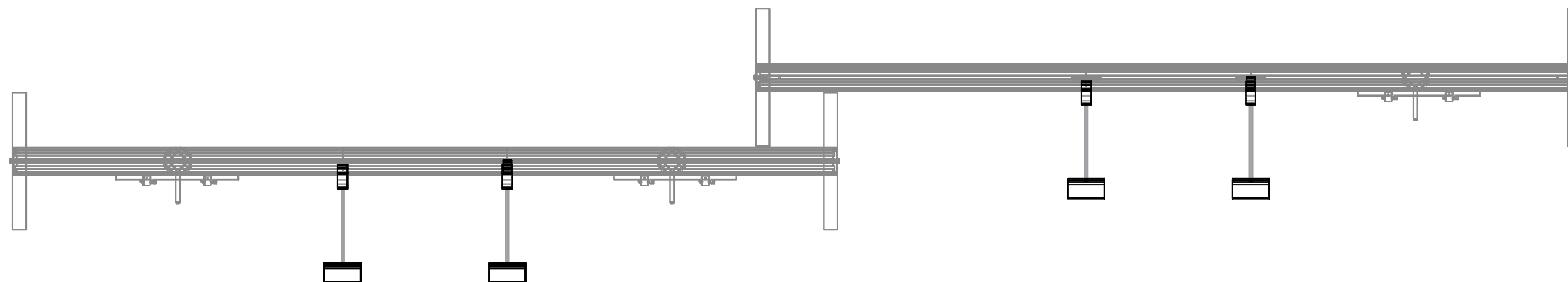
- Phone Line / Fax
- Internet connection
- Outlet
- Main Drop (point of distrution)

--- Wire running under carpet



**HYBRID PRO RENTAL KIT**

Title: SET-UP INSTRUCTIONS

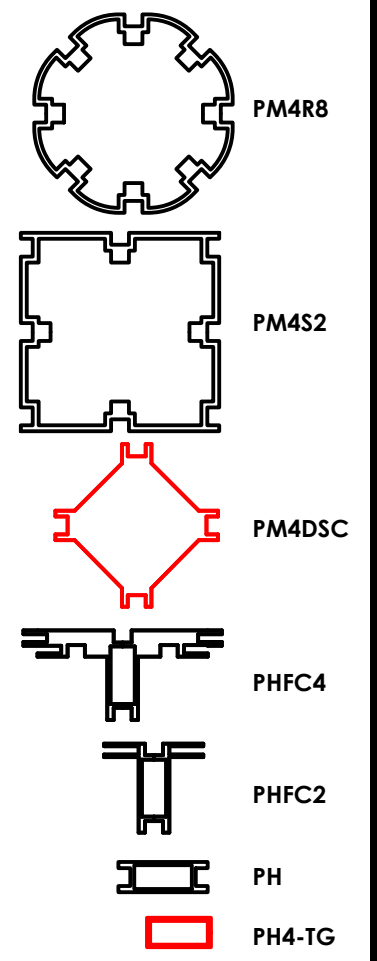
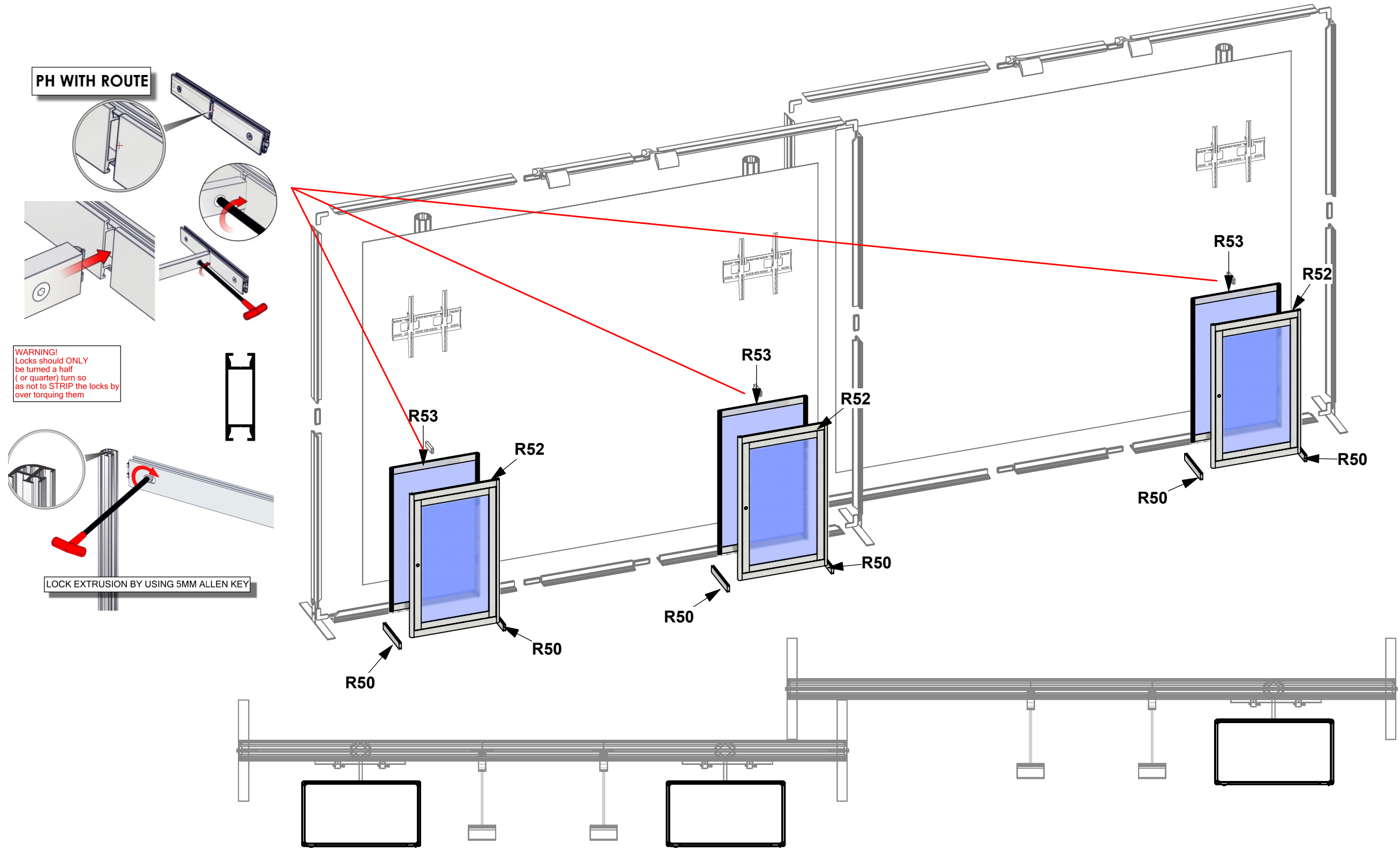


Code	#	Description
R52	3	581MM X 1000MM (22 7/8" X 39 3/8") CABINET DOOR
R50	6	P280MM (11") PH WITH SLIDE LOCKS AT BOTH ENDS (VC-01)
R53	3	581MM X 1000MM (22 7/8" X 39 3/8") FRONT FRAME W/ SLITS

1. Redesign of this exhibit without approval by manufacturer may result in dangerous and unsafe structures. Manufacturer disclaims any responsibility for redesigned exhibits it does not approve in writing.

2. Parts and components such as panels and extrusions are manufactured to metric sizing. Where ever possible sizes have been noted in feet and inches as well as in metric. Below is the imperial to metric sizing table as reference. "Nominal" refers to approximate size.

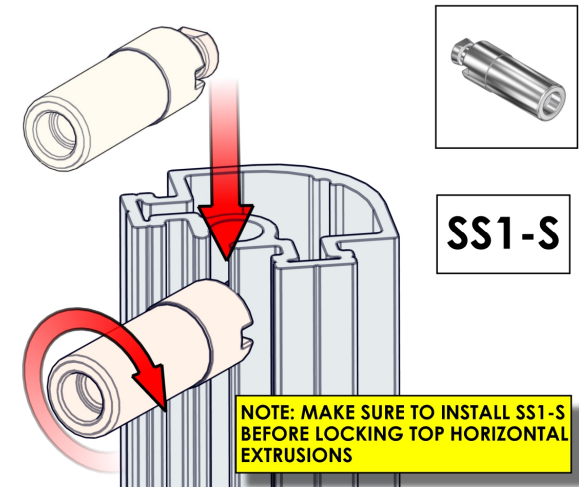
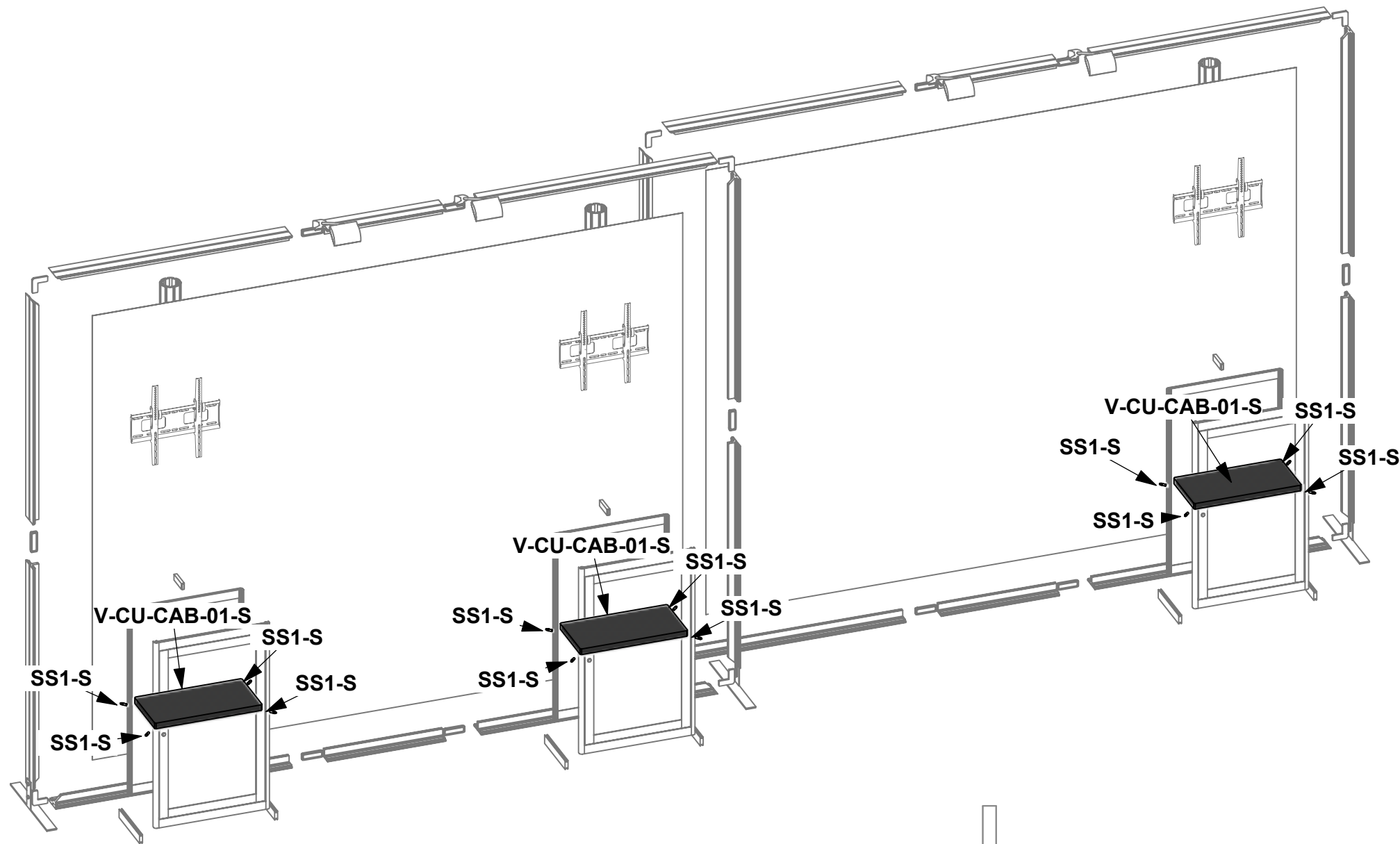
- 2400mm = (94 1/2") Phone Line / Fax
  - 2100mm = (82 5/8") Internet connection
  - 1800mm = (70 7/8") Outlet
  - 1500mm = (59") Main Drop (point of distrution)
  - 1200mm = (47 1/4")
  - 900mm = (35 1/2")
  - 600mm = (23 5/8")
  - 300mm = (11 7/8")
- Wire running under carpet



**HYBRID PRO RENTAL KIT**

Title: SET-UP INSTRUCTIONS

Code	#	Description
SS1-S	12	SILVER SS1 SHELF SUPPORTS
V-CU-CAB-01-	3	.625 MDF blk txt 292mm x 553 internal shelf



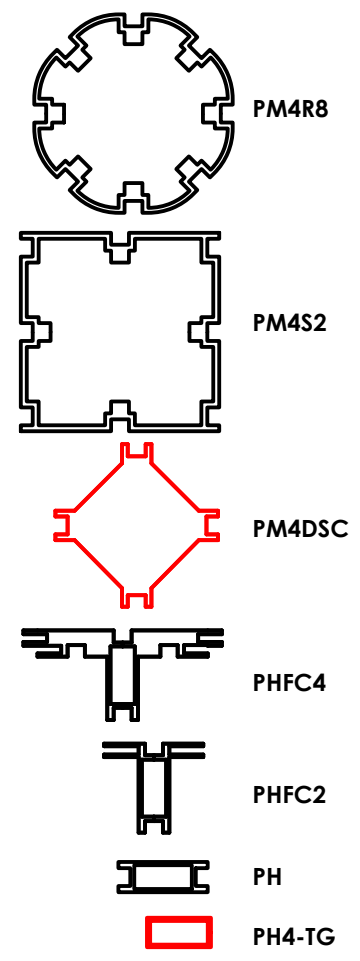
Slide the SS1-S into the round SS1-S channel to the desired height. Then turn clockwise to tighten the SS1-S into place.

1. Redesign of this exhibit without approval by manufacturer may result in dangerous and unsafe structures. Manufacturer disclaims any responsibility for redesigned exhibits it does not approve in writing.

2. Parts and components such as panels and extrusions are manufactured to metric sizing. Where ever possible sizes have been noted in feet and inches as well as in metric. Below is the imperial to metric sizing table as reference. "Nominal" refers to approximate size.

2400mm = (94 1/2")	Phone Line / Fax
2100mm = (82 5/8")	Internet connection
1800mm = (70 7/8")	Outlet
1500mm = (59")	Main Drop (point of distrution)
1200mm = (47 1/4")	
900mm = (35 1/2")	
600mm = (23 5/8")	
300mm = (11 7/8")	

--- Wire running under carpet

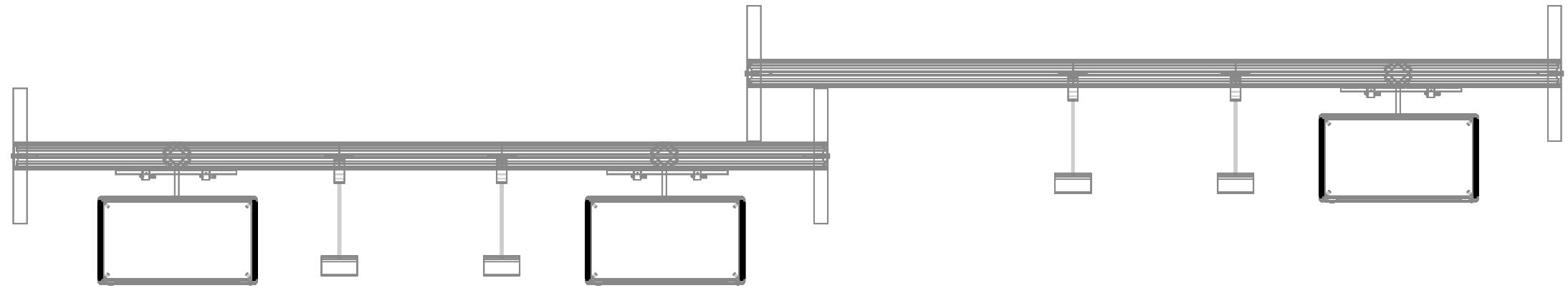
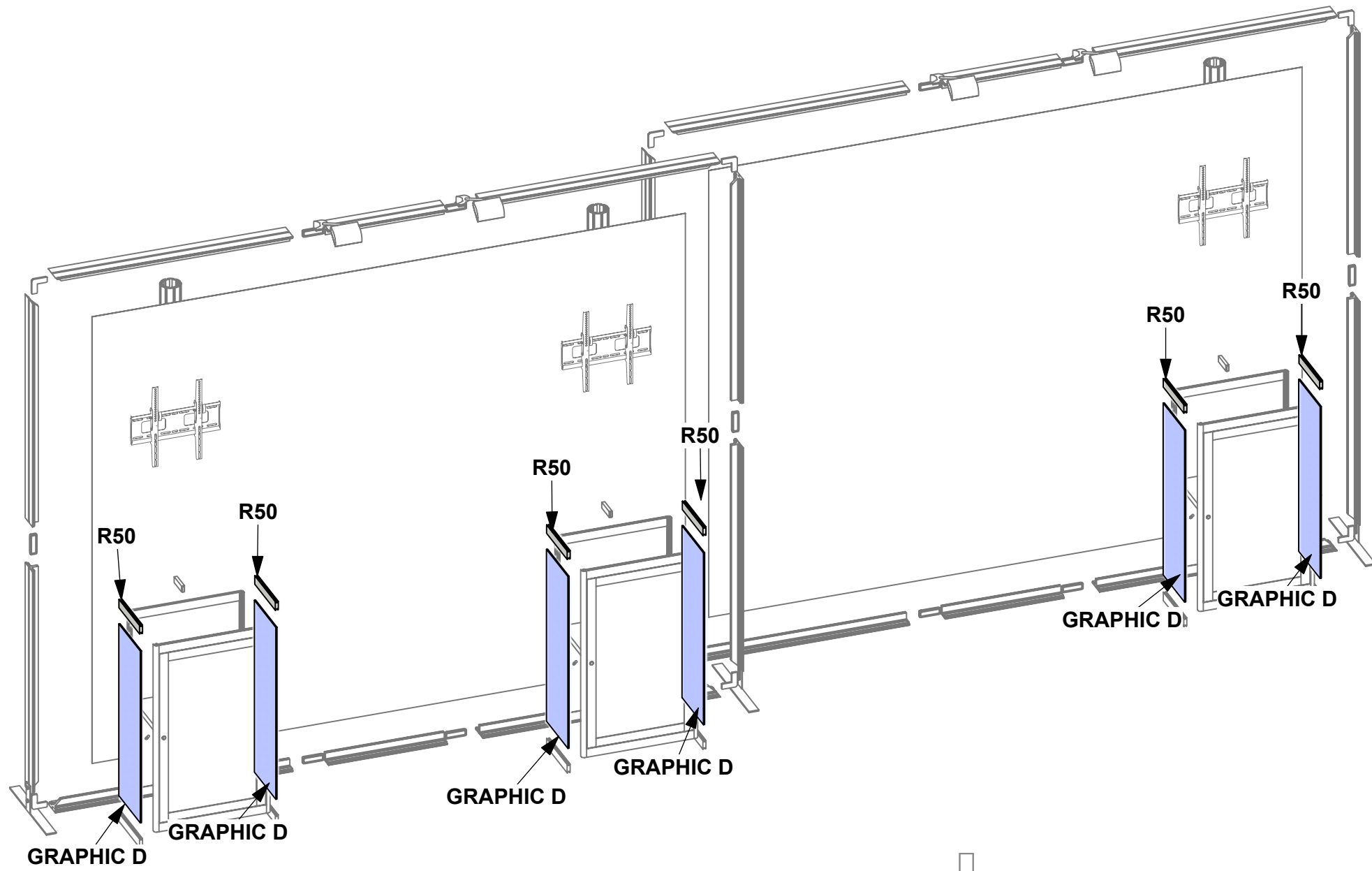
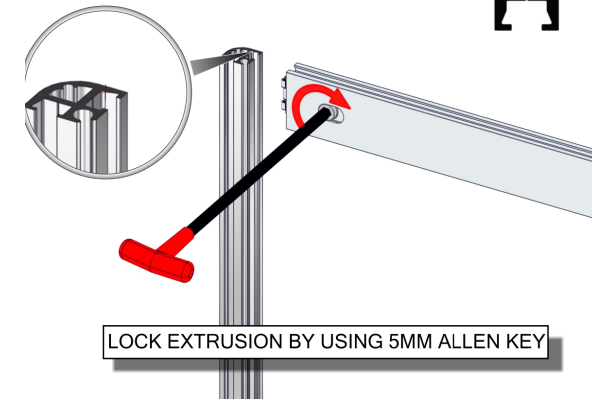


**HYBRID PRO RENTAL KIT**

Title: SET-UP INSTRUCTIONS

Code	#	Description
GRAPHIC D	6	922mm x 292mm (36 5/16 x 11 1/2) side sintra/foamex
R50	6	P280MM (11") PH WITH SLIDE LOCKS AT BOTH ENDS (VC-01)

**WARNING!**  
Locks should ONLY be turned a half (or quarter) turn so as not to STRIP the locks by over torquing them

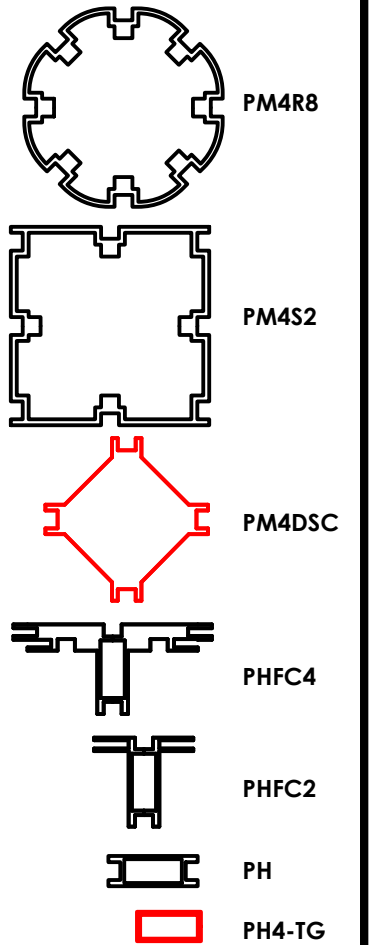


1. Redesign of this exhibit without approval by manufacturer may result in dangerous and unsafe structures. Manufacturer disclaims any responsibility for redesigned exhibits it does not approve in writing.

2. Parts and components such as panels and extrusions are manufactured to metric sizing. Where ever possible sizes have been noted in feet and inches as well as in metric. Below is the imperial to metric sizing table as reference. "Nominal" refers to approximate size.

2400mm = (94 1/2")	Phone Line / Fax
2100mm = (82 5/8")	Internet connection
1800mm = (70 7/8")	Outlet
1500mm = (59")	Main Drop (point of distrution)
1200mm = (47 1/4")	
900mm = (35 1/2")	
600mm = (23 5/8")	
300mm = (11 7/8")	

--- Wire running under carpet

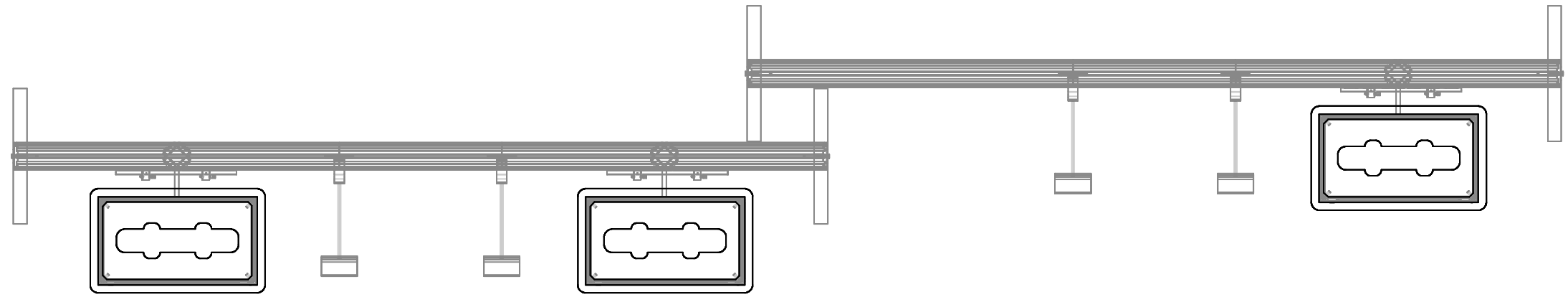
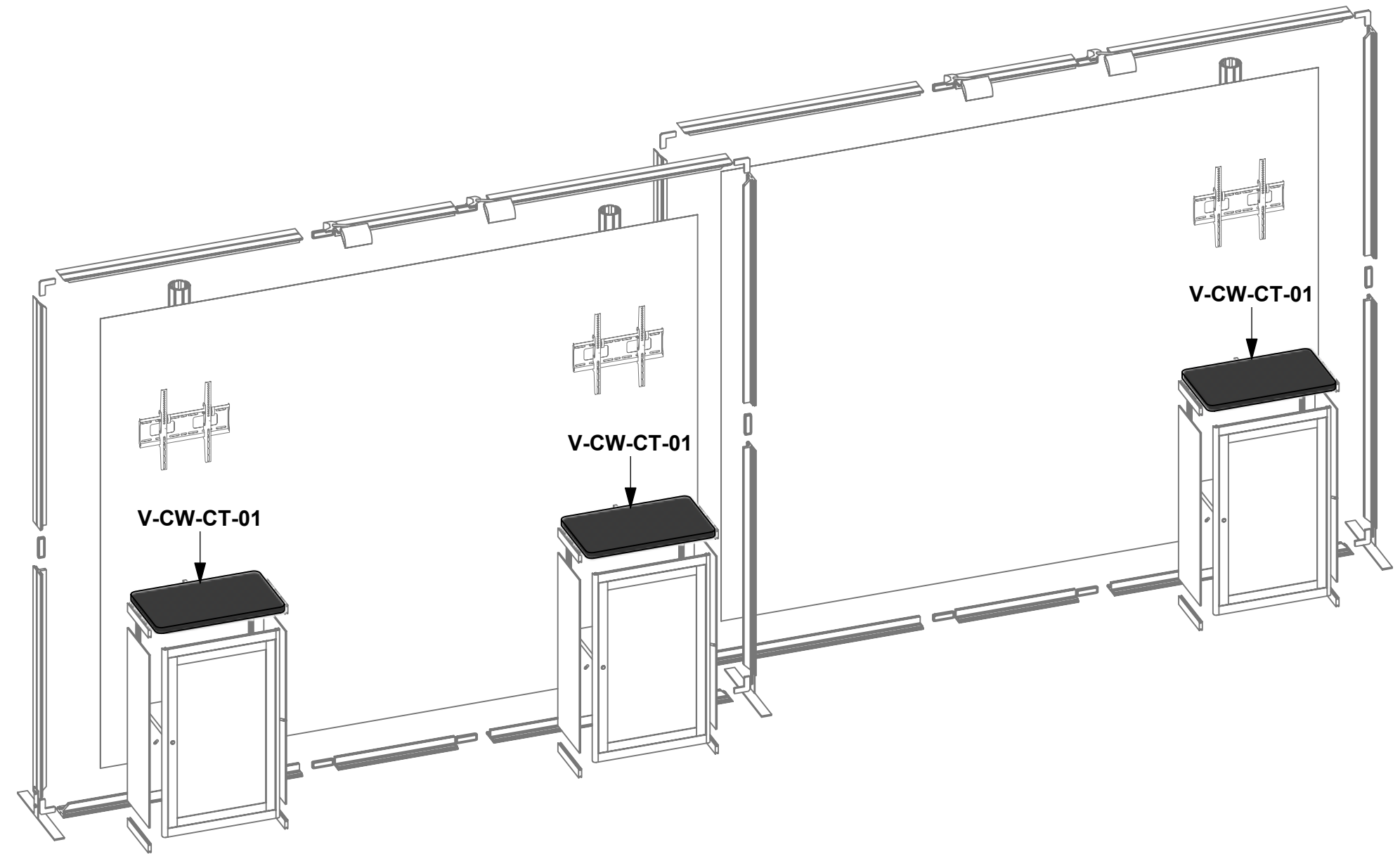
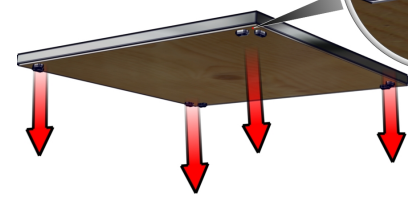
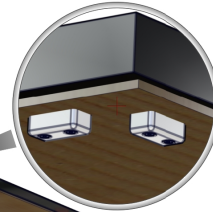
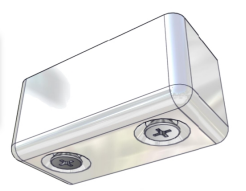


HYBRID PRO RENTAL KIT

Title: SET-UP INSTRUCTIONS

Code	#	Description
V-CW-CT-01	3	384mm x 646mm(15 1/8" x 25 7/16") Hybrid rectangle top

**COUNTER WITH BLOCKS**

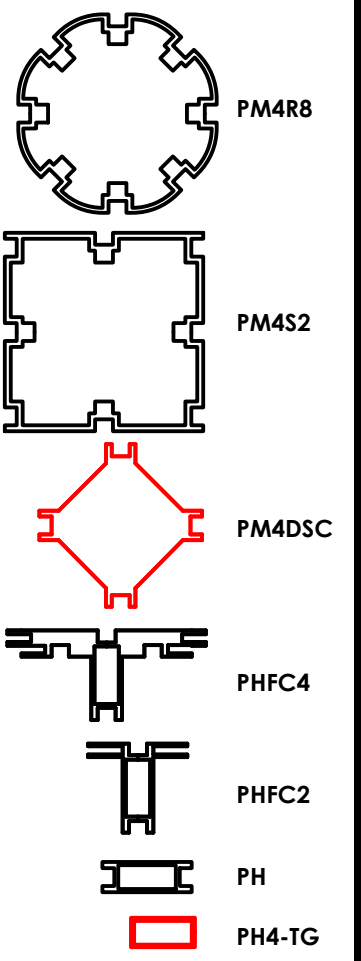


1. Redesign of this exhibit without approval by manufacturer may result in dangerous and unsafe structures. Manufacturer disclaims any responsibility for redesigned exhibits it does not approve in writing.

2. Parts and components such as panels and extrusions are manufactured to metric sizing. Where ever possible sizes have been noted in feet and inches as well as in metric. Below is the imperial to metric sizing table as reference. \*Nominal" refers to approximate size.

2400mm = (94 1/2")	☒ Phone Line / Fax
2100mm = (82 5/8")	☒ Internet connection
1800mm = (70 7/8")	☒ Outlet
1500mm = (59")	☒ Main Drop (point of distrution)
1200mm = (47 1/4")	
900mm = (35 1/2")	
600mm = (23 5/8")	
300mm = (11 7/8")	

--- Wire running under carpet



**HYBRID PRO RENTAL KIT**

Title: SET-UP INSTRUCTIONS