

# Hybrid Pro Modular Kit 11

## HP-K-11

Hybrid Pro™ Modular exhibits and counters are a perfect solution for the serious exhibitor. Exhibits feature heavy-duty aluminum extrusion frames and push-fit fabric graphics. Count on making an unforgettable impact with Hybrid Pro Modular exhibit kits, counters, and accessories.

## features and benefits:

- Silver aluminum extrusion frame
- Illuminated graphic panel with interior top and bottom LED lighting
- Single-sided fabric graphics
- Easy step-by-step instructions
- Counter available in four thermoformed finishes, shown below
- Kit includes frame, two side/top white accents, four fabric graphic panels, one illuminated graphic panel, two pillowcase fabric graphics, two counters, two medium monitor mounts, one molded crate and two woodcrates
- Lifetime hardware warranty against manufacturer defects

## dimensions:

### Hardware

### Graphic

Assembled unit:  
222.75" w x 94.75" h x 19.63" d  
5658mm(w) x 2407(h) x 499mm(d)

Refer to related graphic template for more information.

Approximate weight:  
558 lbs / 254 kg

Visit:

<https://www.theexhibitorshandbook.com/download-graphic-templates>

## additional information:

### Shipping

Graphic material:

Dye-sublimation SEG push-fit fabric

Packing case(s):  
1 SCRATE  
2 WOODCRATES

Backwall Counters:

21.75" w x 38" h x 17.75" d  
553mm(w) x 965mm(h) x 451mm(d)

Shipping dimensions:  
SCRATE:  
59" l x 57" h x 33" d 1  
499mm(l) x 1448mm(h) x 838mm(d)

Laminate cabinet with locking storage door and custom side/top laminate accent panel

2 WOODCRATES:  
48" l x 30" h x 27" d  
1219mm(l) x 762mm(h) x 686mm(d)

Medium monitor bracket holds 32"-55" LCD, maximum weight: 50 lbs / 23 kg

Approximate total shipping weight:  
815 lbs / 379 kg

\*LCD monitors not included

### Panel Colors:



grey

black

white

**2 person assembly recommended:**



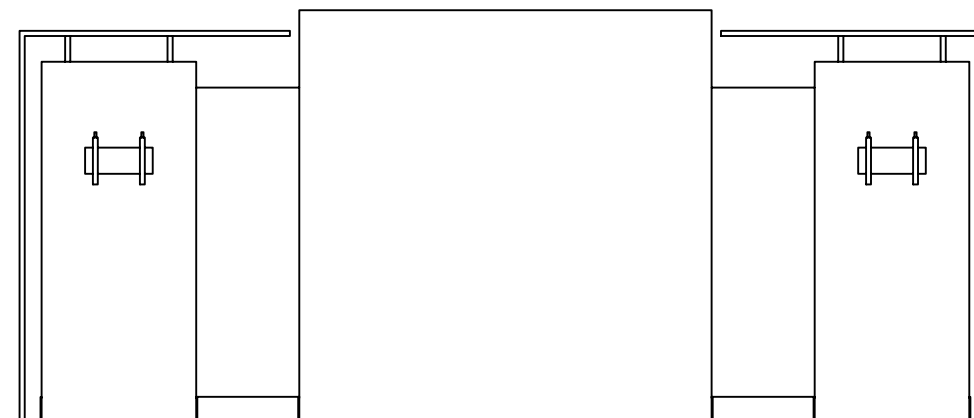
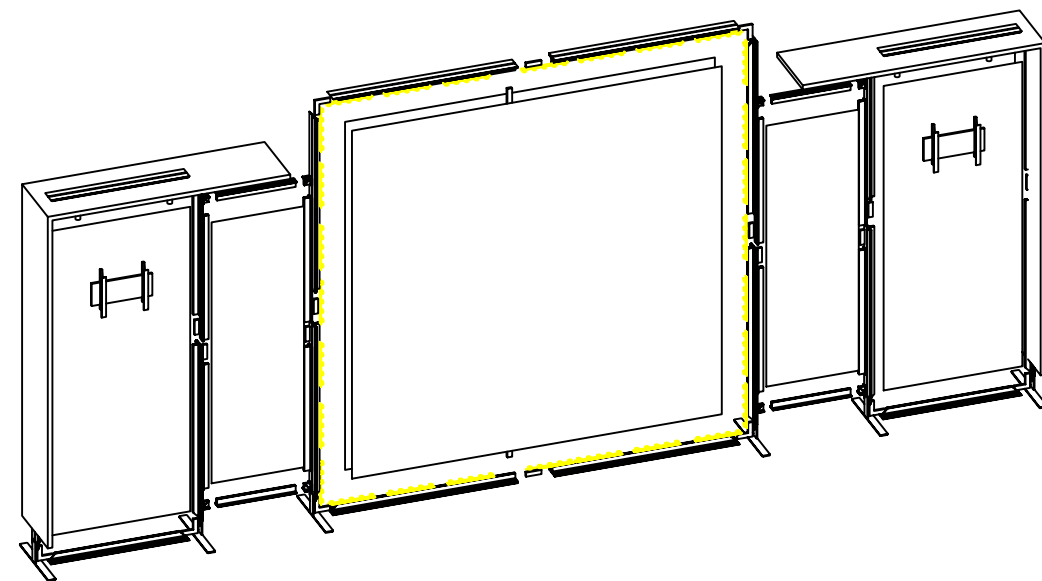
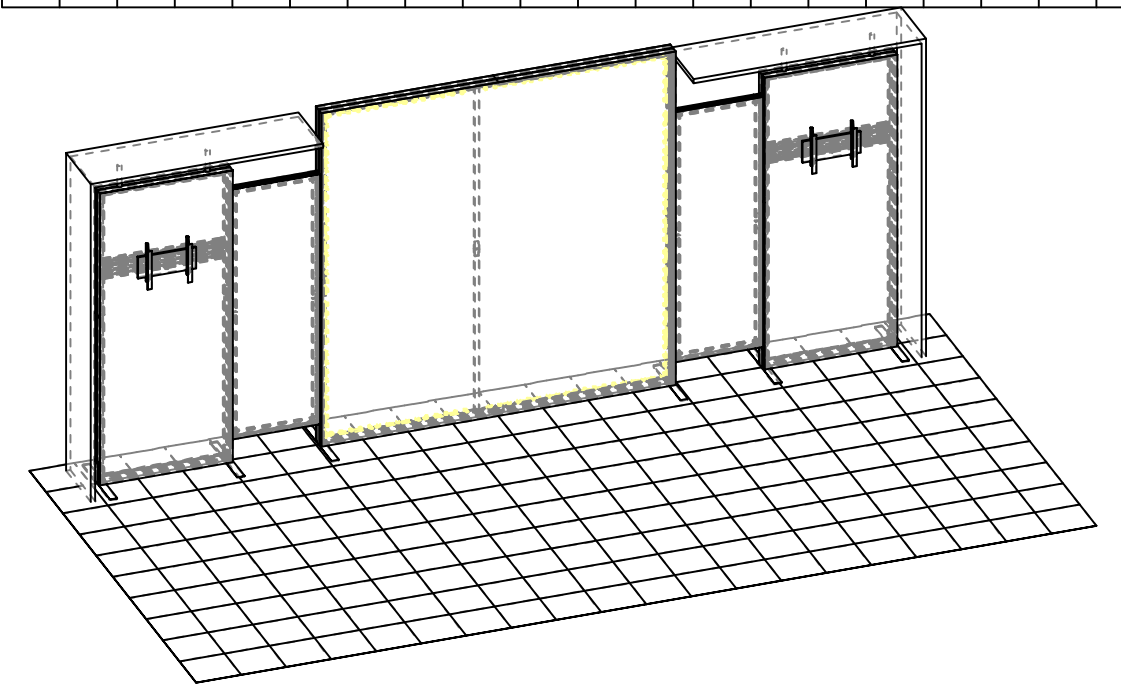
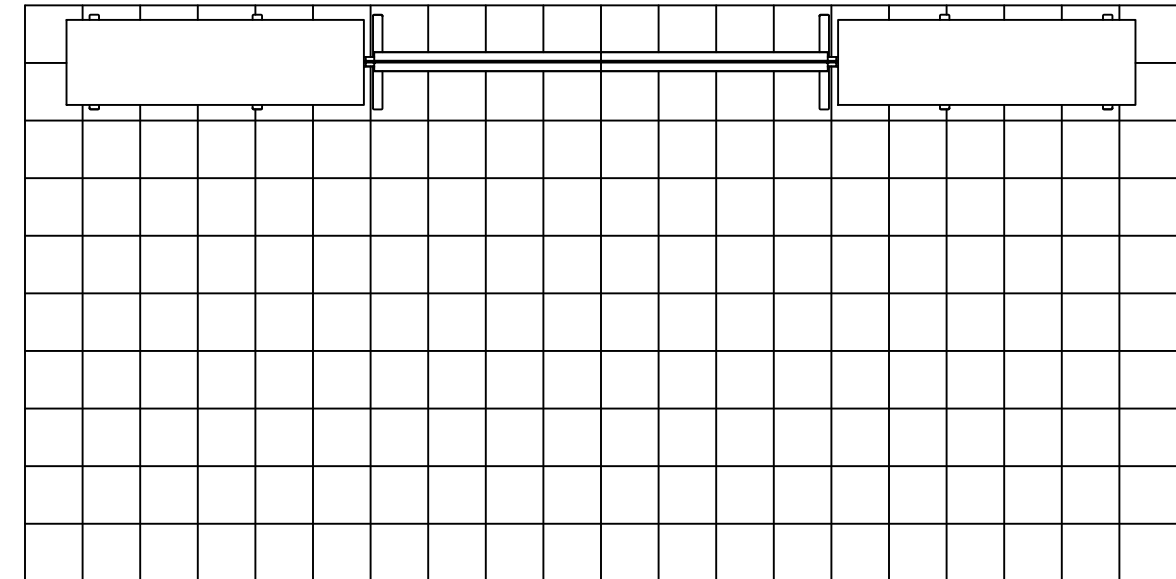
This product may include the following materials for recycle: aluminum, select wood, fabric, cardboard, paper, steel, and plastics.

We are continually improving and modifying our product range and reserve the right to vary the specifications without prior notice. All dimensions and weights quoted are approximate and we accept no responsibility for variance. E&OE. See Graphic Templates for graphic bleed specifications.

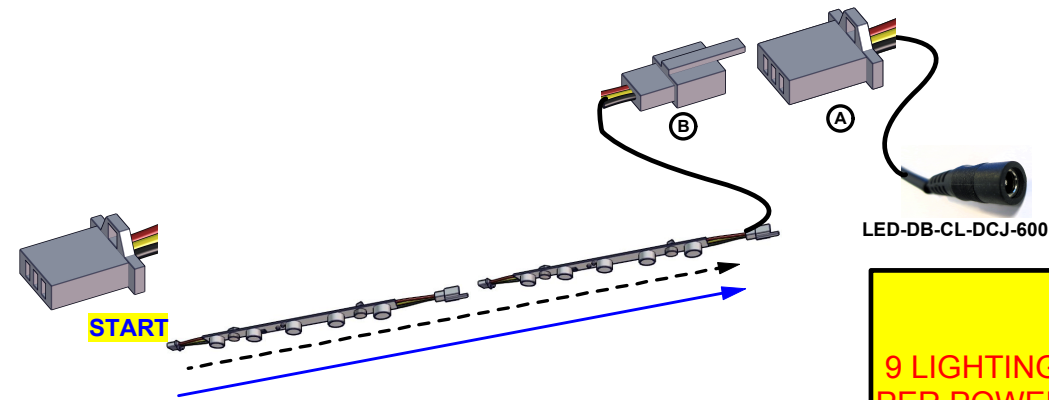
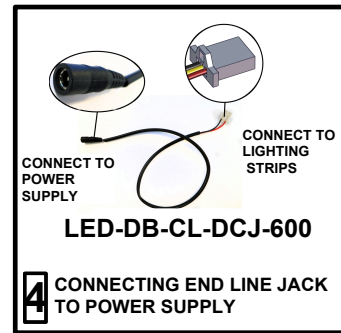
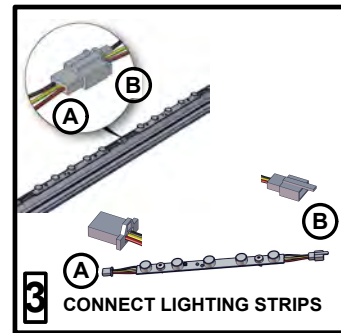
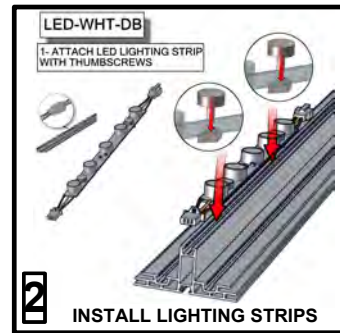
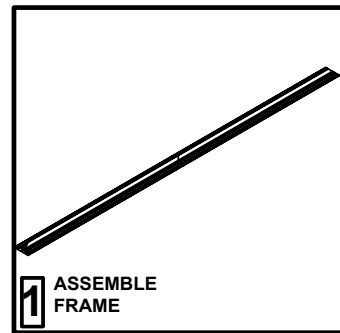
Code	#	Description
GRAPHIC B1	1	70 7/8" (H) X 23 5/8" (W) SINGLE SIDED DYESUB GRAPHIC W/ FCE-2 (SEG) ON PERIMETER
GRAPHIC B2	1	70 7/8" (H) X 23 5/8" (W) SINGLE SIDED DYESUB GRAPHIC W/ FCE-2 (SEG) ON PERIMETER
SW-FOOT	6	SMARTWALL SUPPORT FOOT
R10	12	1200MM (47.24") PHFC4 EXTRUSION WITH MITRE CUT 1 END FOR CB9 ONE END-IB2 HOLES ONE END
CB9	12	CB9 CORNER BRACKET
IB2	13	INLINE BRACKET CONNECTOR
R41	4	900MM (35.43") PHFC4 EXTRUSION WITH MITRE CUT 1 END FOR CB9 ONE END-IB2 HOLES ONE END
R26	4	900MM (35.43") PHFC4 EXTRUSION WITH MITRE CUT BOTH ENDS
GRAPHIC A1	1	82 11/16" (H) X 35 7/16" (W) SINGLE SIDED DYESUB GRAPHIC W/ FCE-2 (SEG) ON PERIMETER
GRAPHIC C	1	94 1/2" (H) X 94 1/2" (W) BACKLIT DYESUB GRAPHIC W/ FCE-2 (SEG) ON PERIMETER
EXT-M-MB	2	MEDIUM MONITOR BRACKET FOR MONITORS 15"-40"
R42	4	810MM (31.89") 50MM PM2S 4 WAY SQUARE EXTRUSION WITH LOCKS 2 ENDS
R55	4	510MM (20.08") PHFC2 EXTRUSION WITH LOCKS 2 ENDS
GRAPHIC A2	1	82 11/16" (H) X 35 7/16" (W) SINGLE SIDED DYESUB GRAPHIC W/ FCE-2 (SEG) ON PERIMETER
UNPRINTED C	1	94 1/2" (H) X 94 1/2" (W) WHITE FABRIC W/ FCE-2 (SEG) ON PERIMETER
CB9-S	8	50MM SQUARE PHCF2 CORNER BRACKET
R43	6	855MM (33.66") PHFC2 EXTRUSION WITH LOCKS 2 ENDS WITH SIDE CAM LOCKS
LN-100	6	JOINING BAR
LED-WHT-DB-300	28	300MM (11.81") LENGTH LED LIGHTS FOR DIRECTIONAL BACKLIGHT
R7	2	1155MM (45.47") PH1 EXTRUSION WITH IB2 HOLE ONE SIDE-WITH LOCK 1 END
CUST FS	2	APPROX. 62" W X 90" H X 18" D CUSTOM L-SHAPED FABRIC STRUCTURE - FRAME ONLY

# BOM

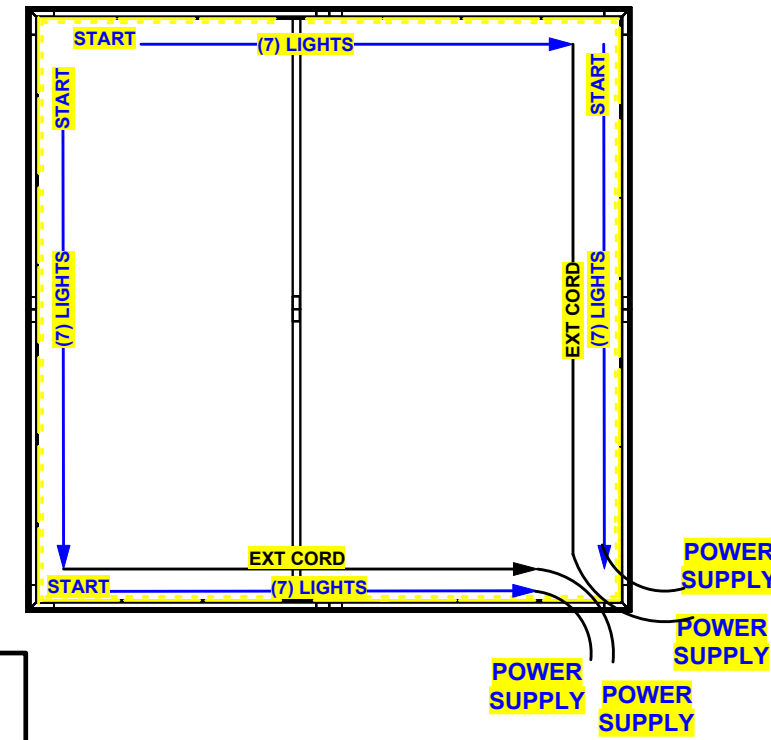
R-HP-K-11



**LED-WHT-DB-300 LIGHTS**



**IMPORTANT!**  
9 LIGHTING STRIPS MAXIMUM  
PER POWER SUPPLY

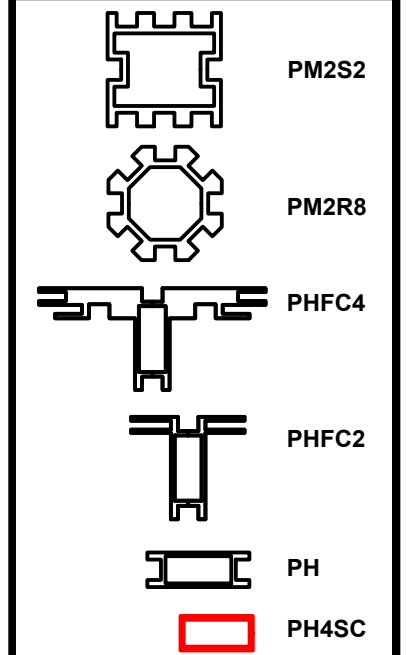


1. Redesign of this exhibit without approval by manufacturer may result in dangerous and unsafe structures. Manufacturer disclaims any responsibility for redesigned exhibits it does not approve in writing.

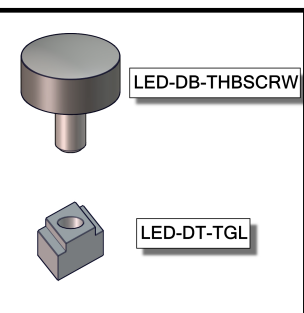
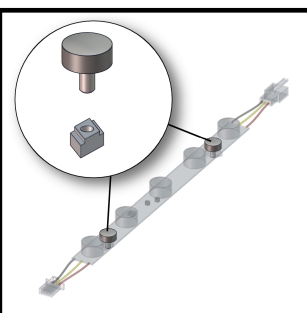
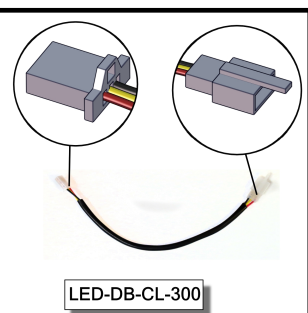
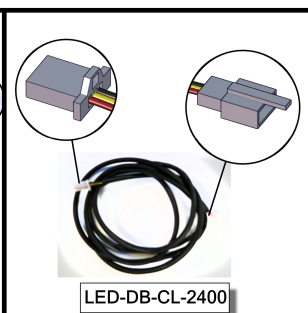
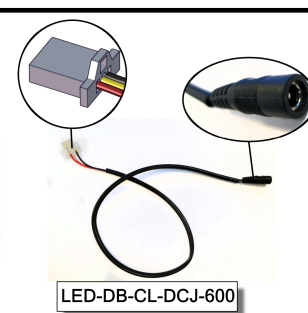
2. Parts and components such as panels and extrusions are manufactured to metric sizing. Where ever possible sizes have been noted in feet and inches as well as in metric. Below is the imperial to metric sizing table as reference. "Nominal" refers to approximate size.

2400mm = (94 1/2")	Phone Line / Fax
2100mm = (82 5/8")	Internet connection
1800mm = (70 7/8")	Outlet
1500mm = (59")	Main Drop (point of distrution)
1200mm = (47 1/4")	
900mm = (35 1/2")	
600mm = (23 5/8")	
300mm = (11 7/8")	

--- Wire running under carpet



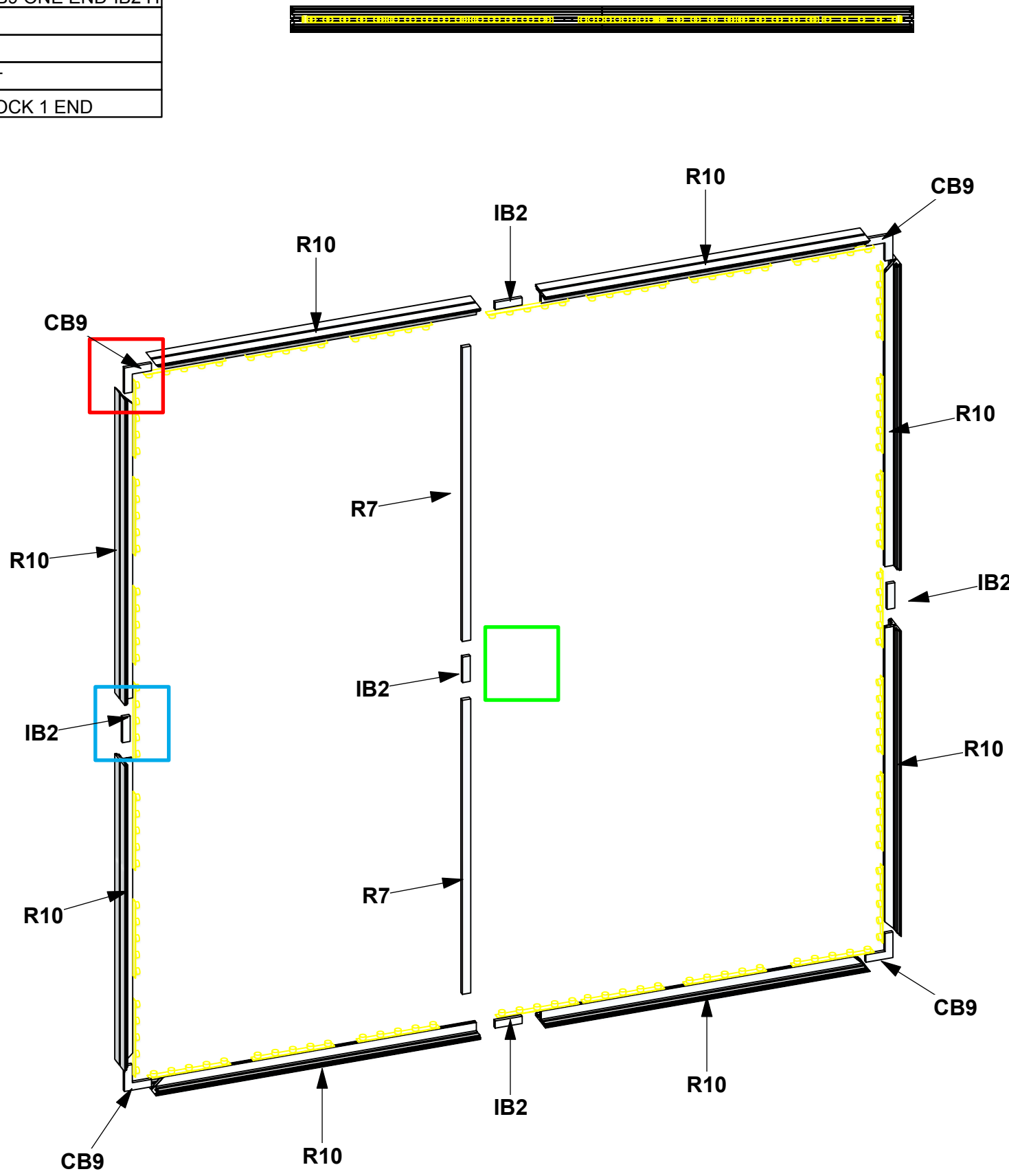
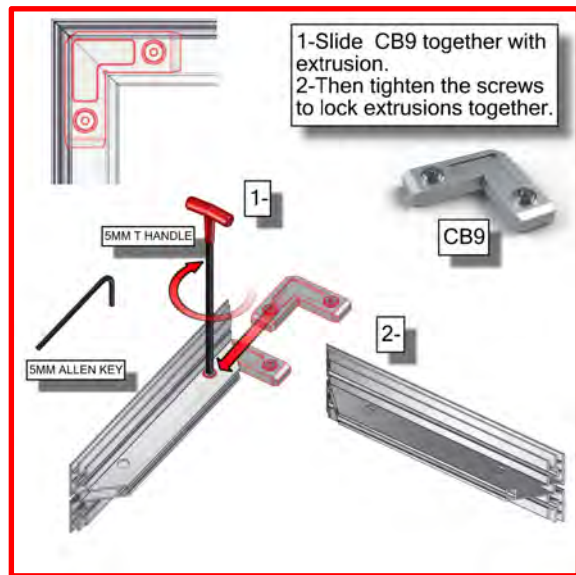
**END LINE CONNECTORS & POWER SUPPLY**



**HYBRID PRO RENTAL KIT**

Title: SET-UP INSTRUCTIONS

Code	#	Description
R10	8	1200MM (47.24") PHFC4 EXTRUSION WITH MITRE CUT 1 END FOR CB9 ONE END-IB2 H
CB9	4	CB9 CORNER BRACKET
IB2	5	INLINE BRACKET CONNECTOR
LED-WHT-DB-300	28	300MM (11.81") LENGTH LED LIGHTS FOR DIRECTIONAL BACKLIGHT
R7	2	1155MM (45.47") PH1 EXTRUSION WITH IB2 HOLE ONE SIDE-WITH LOCK 1 END

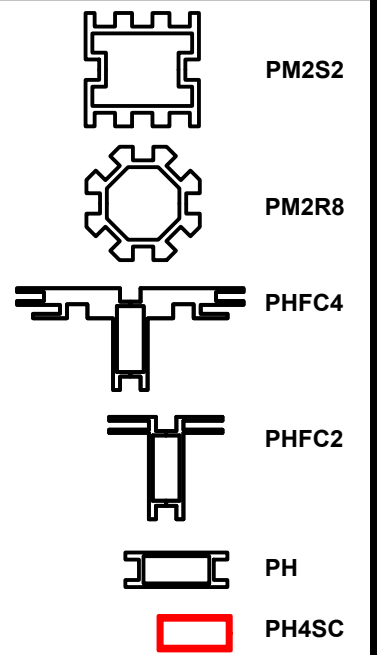


1. Redesign of this exhibit without approval by manufacturer may result in dangerous and unsafe structures. Manufacturer disclaims any responsibility for redesigned exhibits it does not approve in writing.

2. Parts and components such as panels and extrusions are manufactured to metric sizing. Where ever possible sizes have been noted in feet and inches as well as in metric. Below is the imperial to metric sizing table as reference. \*Nominal\* refers to approximate size.

2400mm = (94 1/2")	Phone Line / Fax
2100mm = (82 5/8")	Internet connection
1800mm = (70 7/8")	Outlet
1500mm = (59")	Main Drop (point of distrution)
1200mm = (47 1/4")	
900mm = (35 1/2")	
600mm = (23 5/8")	
300mm = (11 7/8")	

--- Wire running under carpet

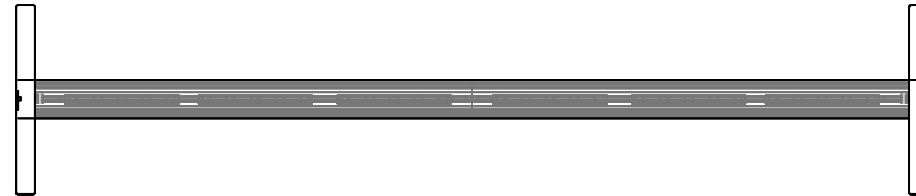


HYBRID PRO RENTAL KIT

Title: SET-UP INSTRUCTIONS



Code	#	Description
SW-FOOT	2	SMARTWALL SUPPORT FOOT
GRAPHIC C	1	94 1/2" (H) X 94 1/2" (W) BACKLIT DYESUB GRAPHIC W/ FCE-2 (SEG) ON PERIM
UNPRINTED C	1	94 1/2" (H) X 94 1/2" (W) WHITE FABRIC W/ FCE-2 (SEG) ON PERIMETER
LN-100	2	JOINING BAR

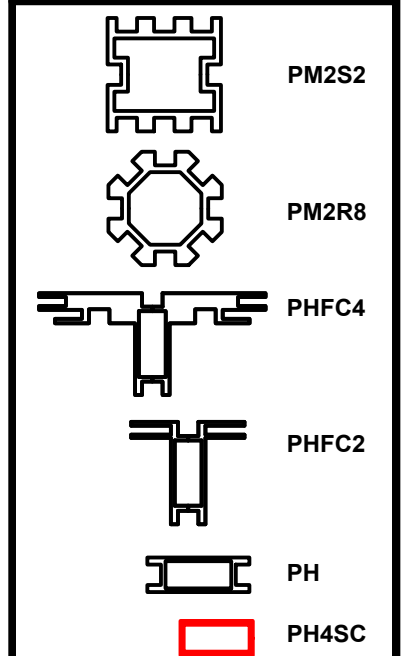


1. Redesign of this exhibit without approval by manufacturer may result in dangerous and unsafe structures. Manufacturer disclaims any responsibility for redesigned exhibits it does not approve in writing.

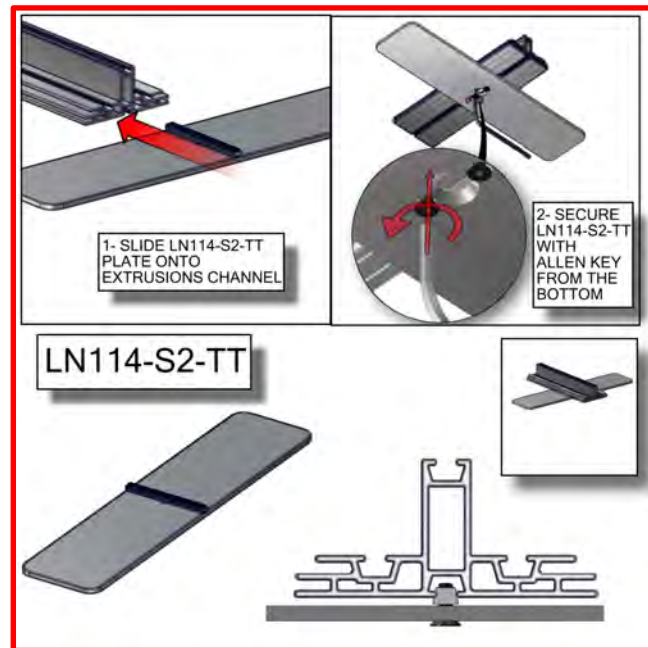
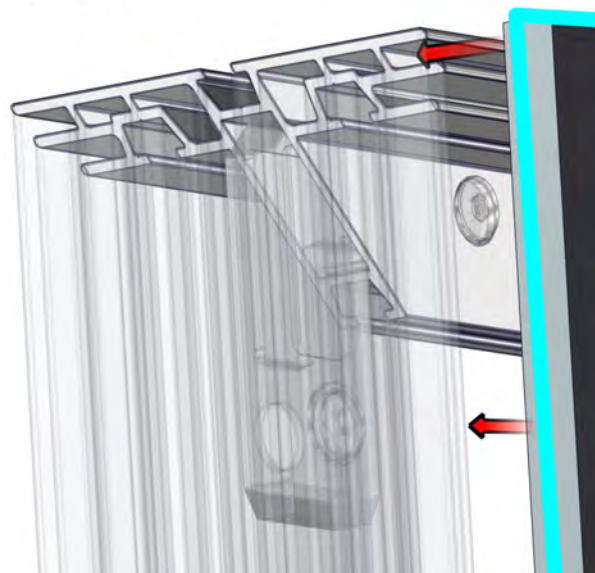
2. Parts and components such as panels and extrusions are manufactured to metric sizing. Where ever possible sizes have been noted in feet and inches as well as in metric. Below is the imperial to metric sizing table as reference. \*Nominal\* refers to approximate size.

2400mm = (94 1/2")	Phone Line / Fax
2100mm = (82 5/8")	Internet connection
1800mm = (70 7/8")	Outlet
1500mm = (59")	Main Drop (point of distrution)
1200mm = (47 1/4")	
900mm = (35 1/2")	
600mm = (23 5/8")	
300mm = (11 7/8")	

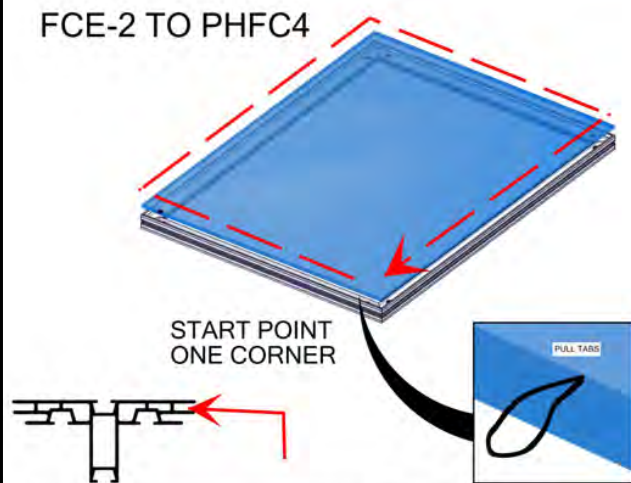
--- Wire running under carpet



FCE-2 TO PHFC4

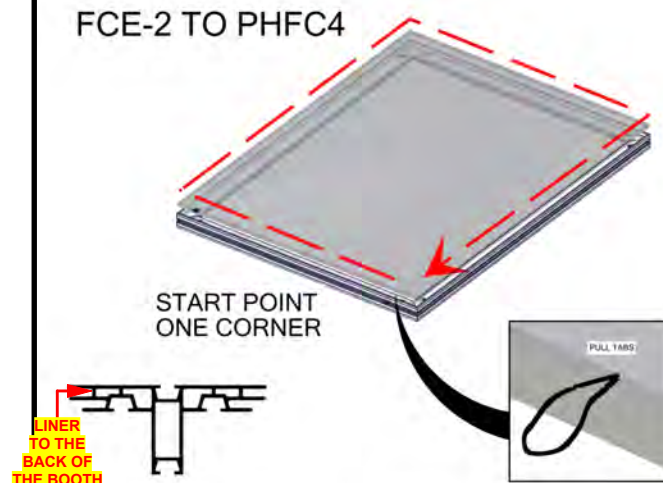


FCE-2 TO PHFC4

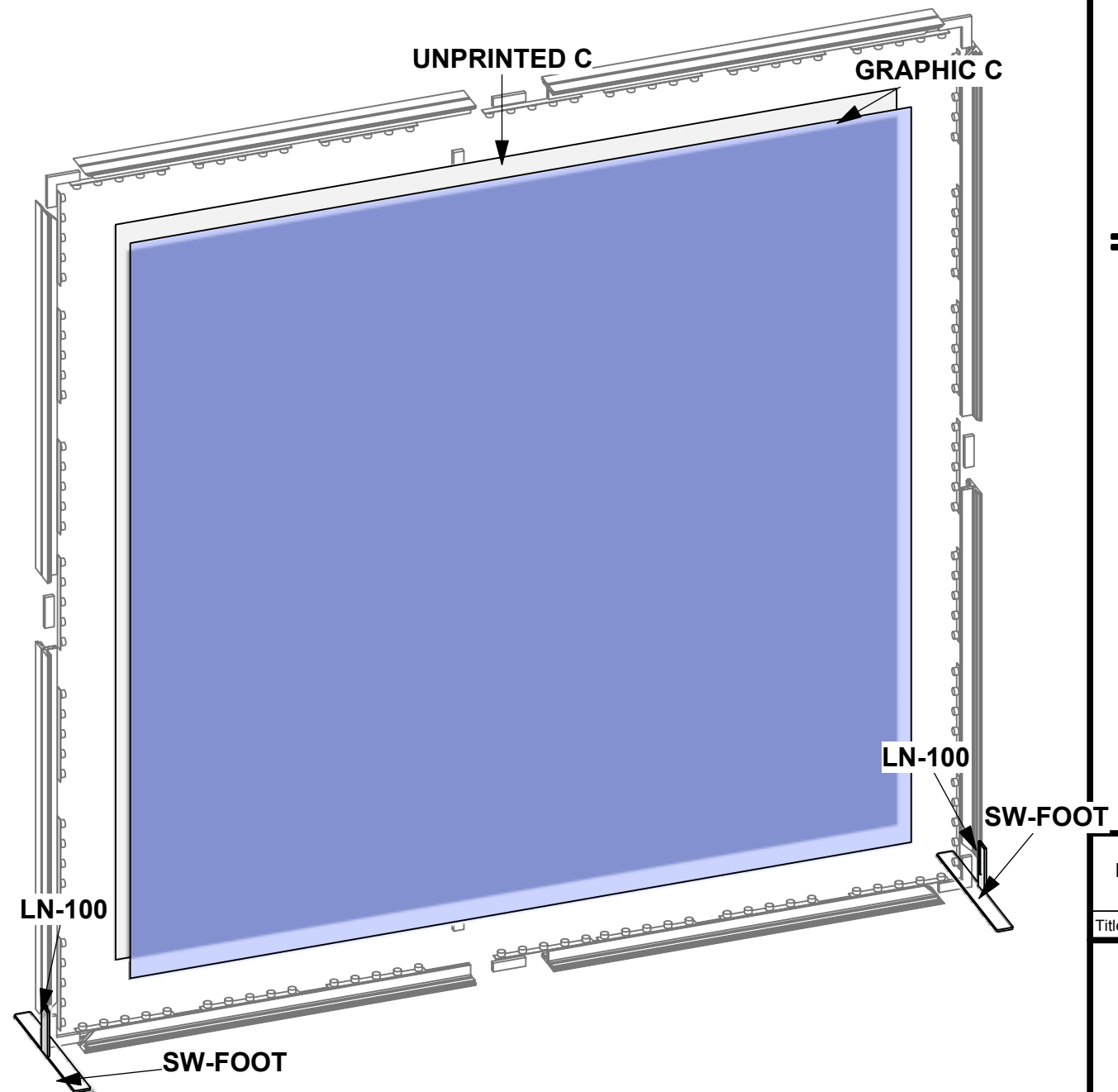


Install graphic by pressing the FCE-2 into the channels of PHFC4 extrusion. To pull graphics out of the channels, use tabs on the front side

FCE-2 TO PHFC4



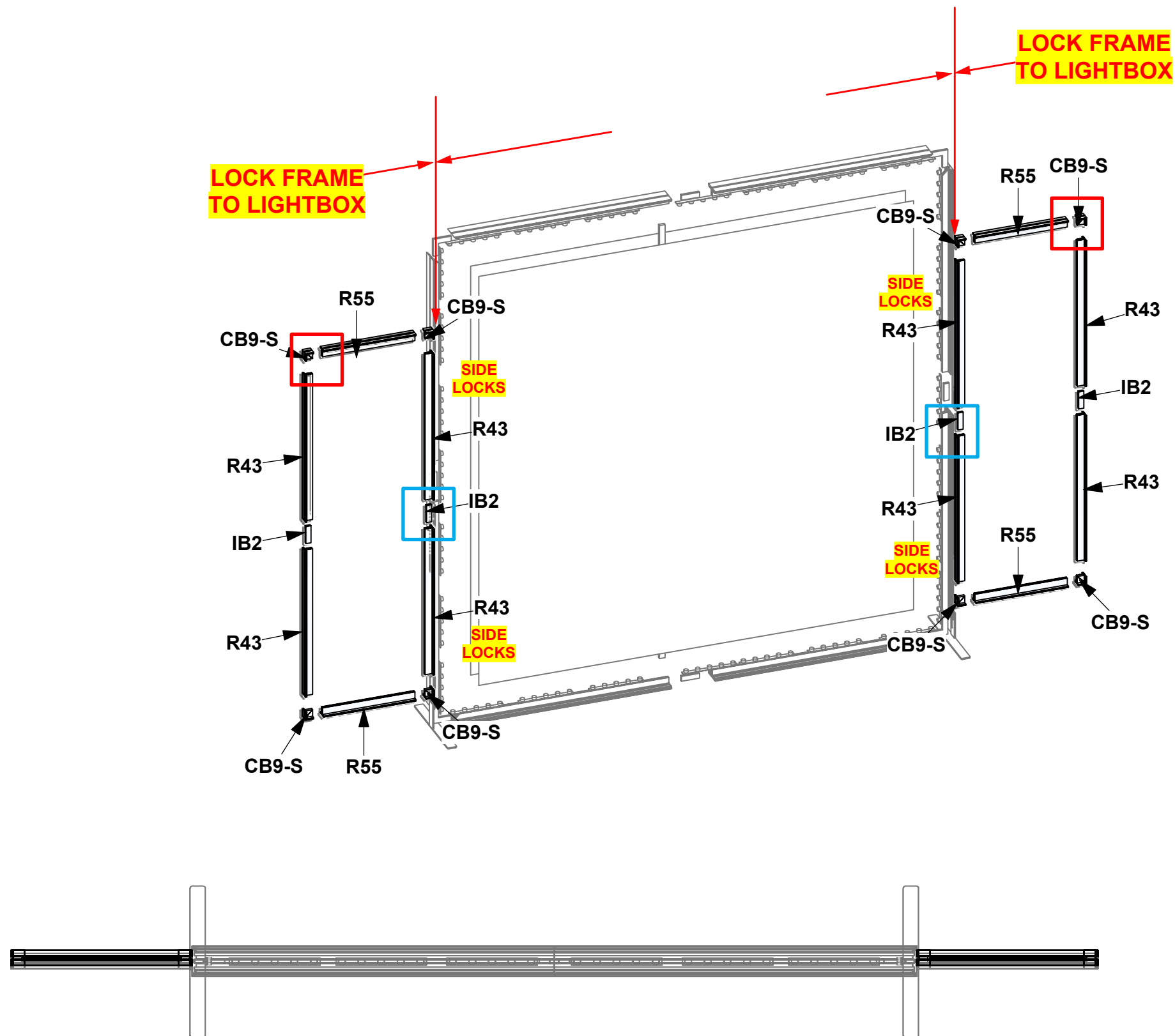
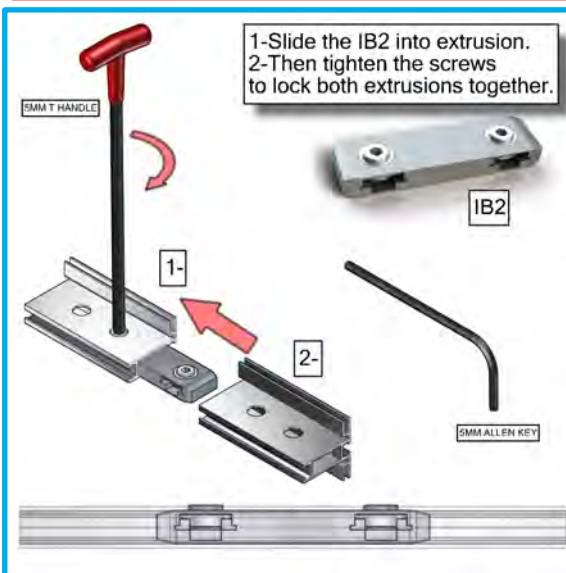
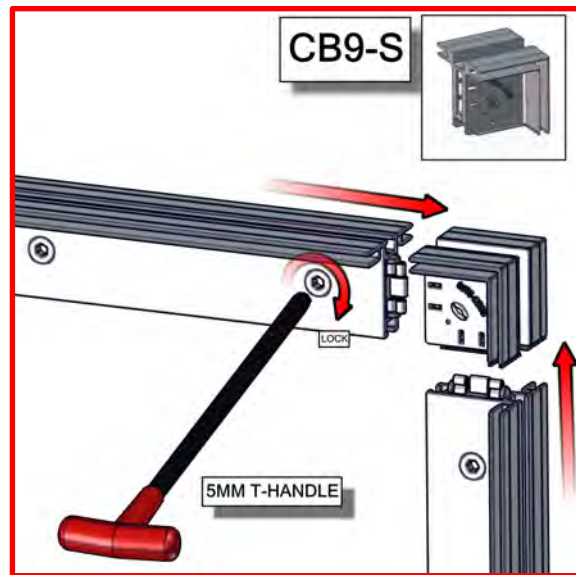
Install liner by pressing the FCE-2 into the channels of PHFC4 extrusion. To pull liner out of the channels, use tabs on the front side



HYBRID PRO RENTAL KIT

Title: SET-UP INSTRUCTIONS

Code	#	Description
R55	4	510MM (20.08") PHFC2 EXTRUSION WITH LOCKS 2 ENDS
IB2	4	INLINE BRACKET CONNECTOR
CB9-S	8	50MM SQUARE PHCF2 CORNER BRACKET
R43	6	855MM (33.66") PHFC2 EXTRUSION WITH LOCKS 2 ENDS WITH

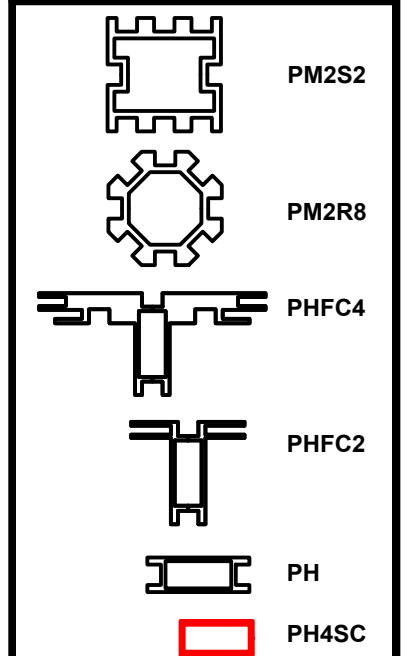


1. Redesign of this exhibit without approval by manufacturer may result in dangerous and unsafe structures. Manufacturer disclaims any responsibility for redesigned exhibits it does not approve in writing.

2. Parts and components such as panels and extrusions are manufactured to metric sizing. Where ever possible sizes have been noted in feet and inches as well as in metric. Below is the imperial to metric sizing table as reference. "Nominal" refers to approximate size.

2400mm = (94 1/2")	Phone Line / Fax
2100mm = (82 5/8")	Internet connection
1800mm = (70 7/8")	Outlet
1500mm = (59")	Main Drop (point of distrution)
1200mm = (47 1/4")	
900mm = (35 1/2")	
600mm = (23 5/8")	
300mm = (11 7/8")	

--- Wire running under carpet

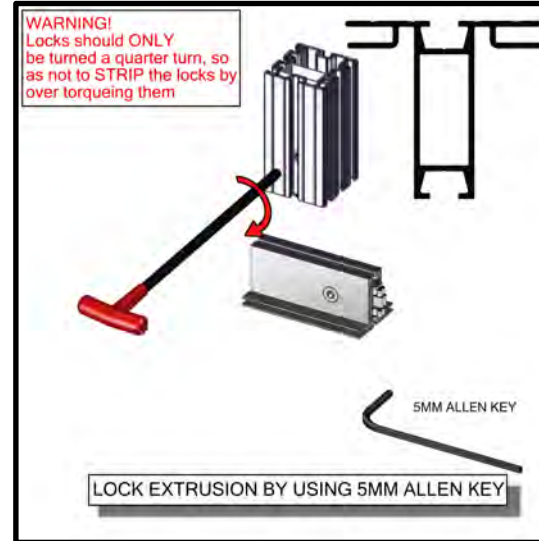


HYBRID PRO RENTAL KIT

Title: SET-UP INSTRUCTIONS



Code	#	Description
SW-FOOT	4	SMARTWALL SUPPORT FOOT
R10	4	1200MM (47.24") PHFC4 EXTRUSION WITH MITRE CUT 1 END FOR CB9 ONE END-IB2 HOLE
R41	4	900MM (35.43") PHFC4 EXTRUSION WITH MITRE CUT 1 END FOR CB9 ONE END-IB2 HOLES
CB9	8	CB9 CORNER BRACKET
R26	4	900MM (35.43") PHFC4 EXTRUSION WITH MITRE CUT BOTH ENDS
IB2	4	INLINE BRACKET CONNECTOR
R42	4	810MM (31.89") 50MM PM2S 4 WAY SQUARE EXTRUSION WITH LOCKS 2 ENDS
LN-100	4	JOINING BAR

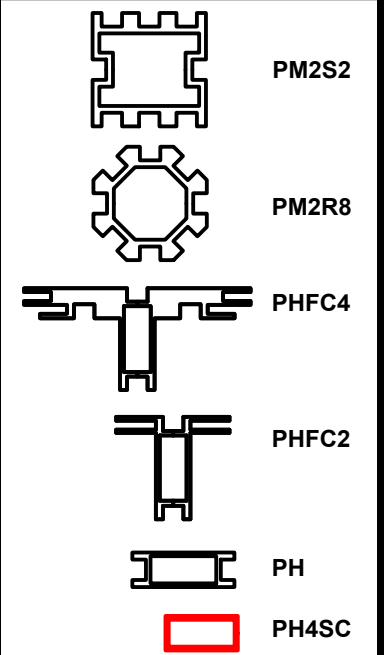
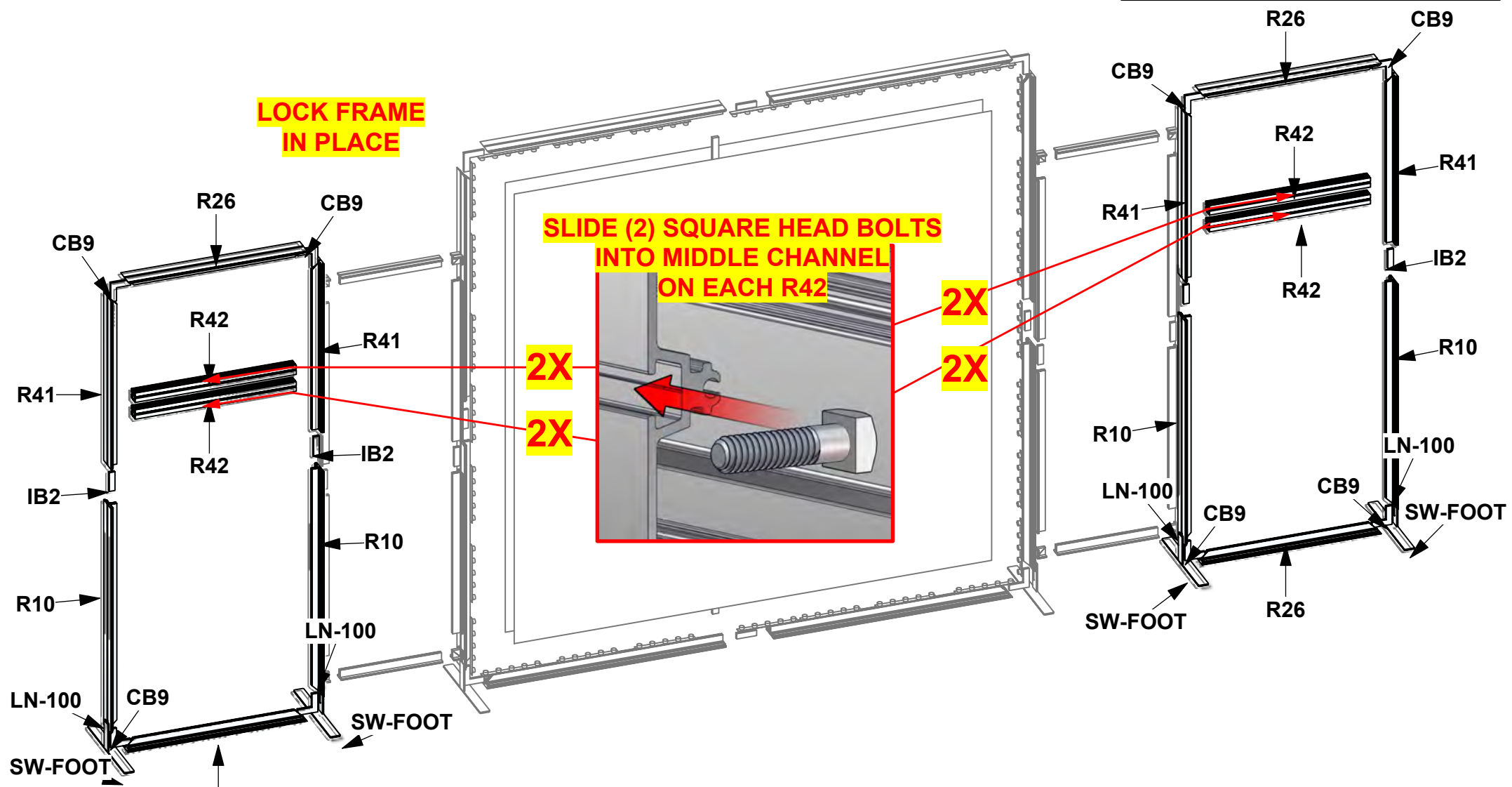
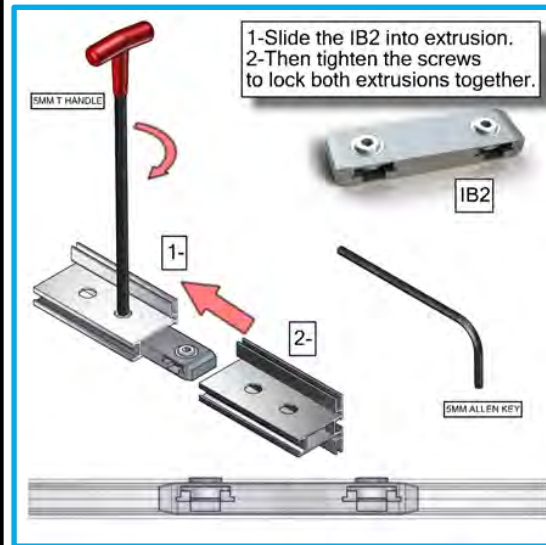
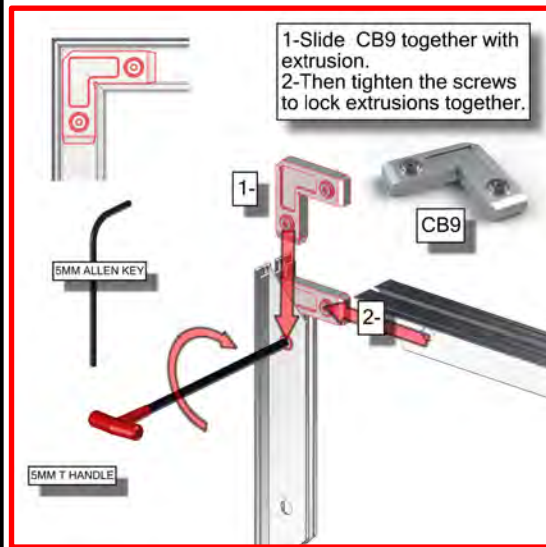


1. Redesign of this exhibit without approval by manufacturer may result in dangerous and unsafe structures. Manufacturer disclaims any responsibility for redesigned exhibits it does not approve in writing.

2. Parts and components such as panels and extrusions are manufactured to metric sizing. Where ever possible sizes have been noted in feet and inches as well as in metric. Below is the imperial to metric sizing table as reference. "Nominal" refers to approximate size.

2400mm = (94 1/2")	Phone Line / Fax
2100mm = (82 5/8")	Internet connection
1800mm = (70 7/8")	Outlet
1500mm = (59")	Main Drop (point of distrution)
1200mm = (47 1/4")	
900mm = (35 1/2")	
600mm = (23 5/8")	
300mm = (11 7/8")	

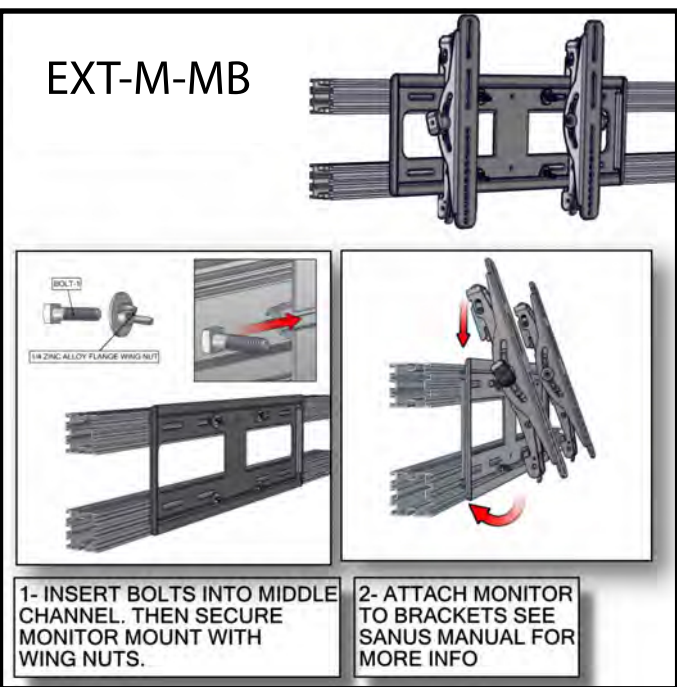
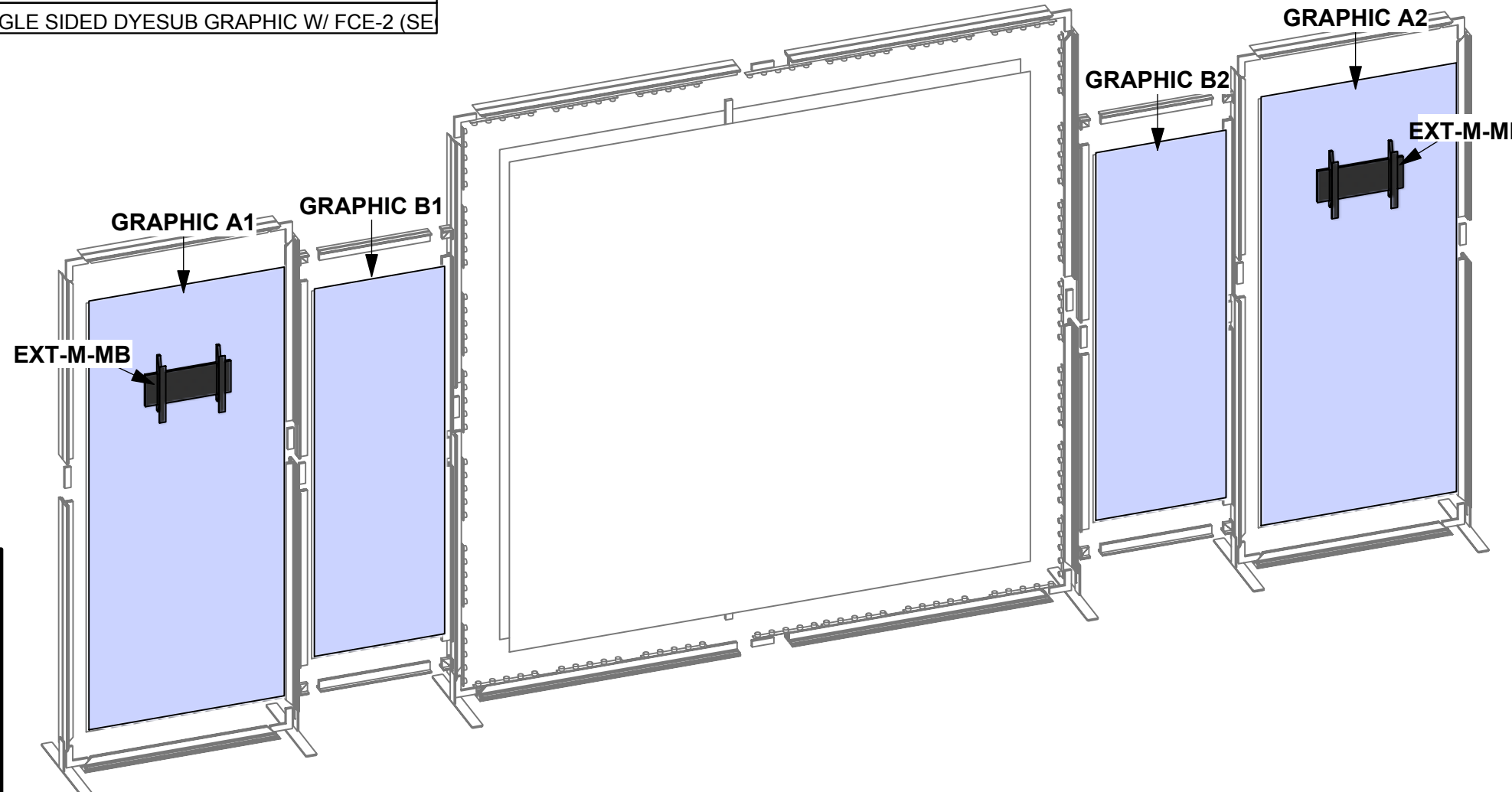
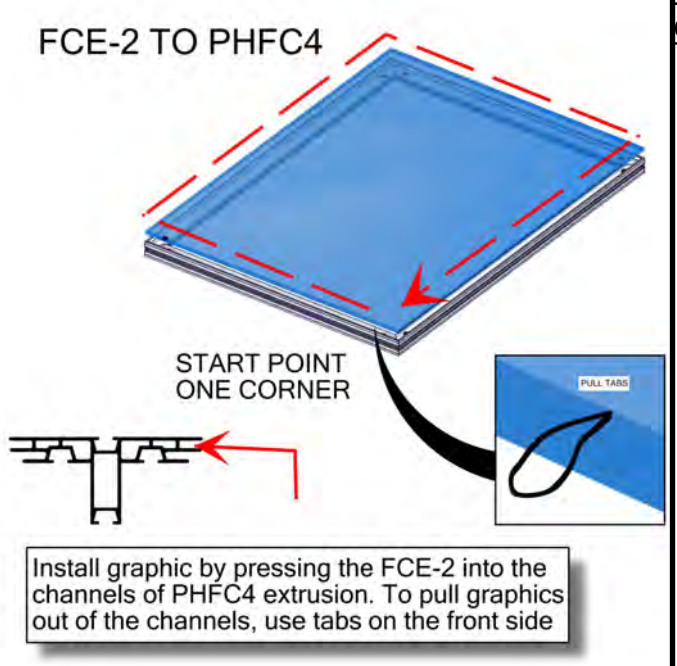
--- Wire running under carpet



HYBRID PRO RENTAL KIT

Title: SET-UP INSTRUCTIONS

Code	#	Description
GRAPHIC B1	1	70 7/8" (H) X 23 5/8" (W) SINGLE SIDED DYESUB GRAPHIC W/ FCE-2 (SEG) O
GRAPHIC B2	1	70 7/8" (H) X 23 5/8" (W) SINGLE SIDED DYESUB GRAPHIC W/ FCE-2 (SEG) O
GRAPHIC A1	1	82 11/16" (H) X 35 7/16" (W) SINGLE SIDED DYESUB GRAPHIC W/ FCE-2 (SE
EXT-M-MB	2	MEDIUM MONITOR BRACKET FOR MONITORS 32"-55"

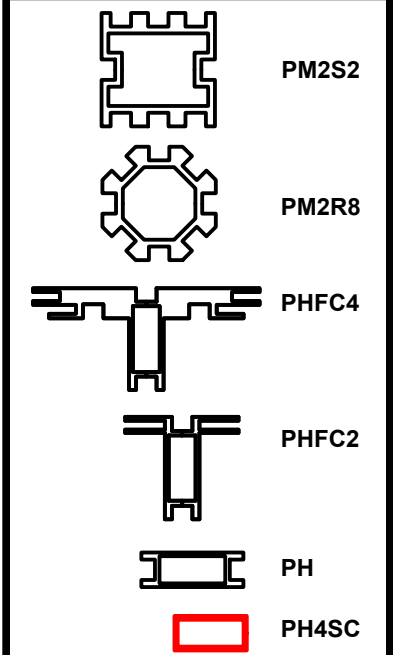


1. Redesign of this exhibit without approval by manufacturer may result in dangerous and unsafe structures. Manufacturer disclaims any responsibility for redesigned exhibits it does not approve in writing.

2. Parts and components such as panels and extrusions are manufactured to metric sizing. Where ever possible sizes have been noted in feet and inches as well as in metric. Below is the imperial to metric sizing table as reference. "Nominal" refers to approximate size.

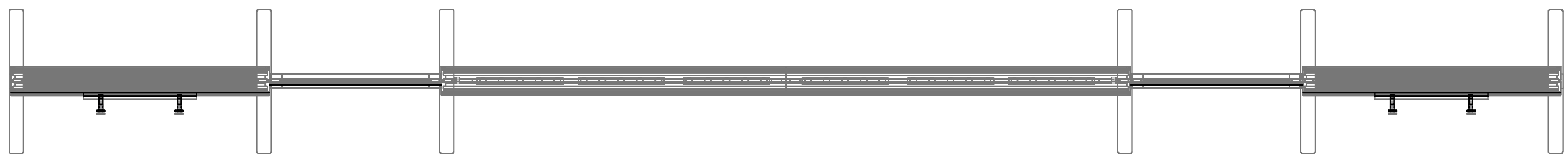
2400mm = (94 1/2")	Phone Line / Fax
2100mm = (82 5/8")	Internet connection
1800mm = (70 7/8")	Outlet
1500mm = (59")	Main Drop (point of distrution)
1200mm = (47 1/4")	
900mm = (35 1/2")	
600mm = (23 5/8")	
300mm = (11 7/8")	

--- Wire running under carpet



**HYBRID PRO RENTAL KIT**

Title: SET-UP INSTRUCTIONS





**SET UP INSTRUCTIONS:**

1. CONNECT BOTTOM AND TOP RAILS FOLLOWING THE LABELS
2. CONNECT SIDE RAILS
3. CLEAN THE FRAME AND PLACE THEM ON CLEAN PLACE
4. CAREFULLY REMOVE FABRIC COVER FROM BAGS
5. PLACE COVER AROUND THE BOTTOM OF THE FRAME
6. PULL COVER CAREFULLY UP TO THE TOP
7. CLOSE ALL ZIPPERS
8. ADJUST FABRIC AROUND THE FRAME

**BREAK DOWN INSTRUCTIONS:**

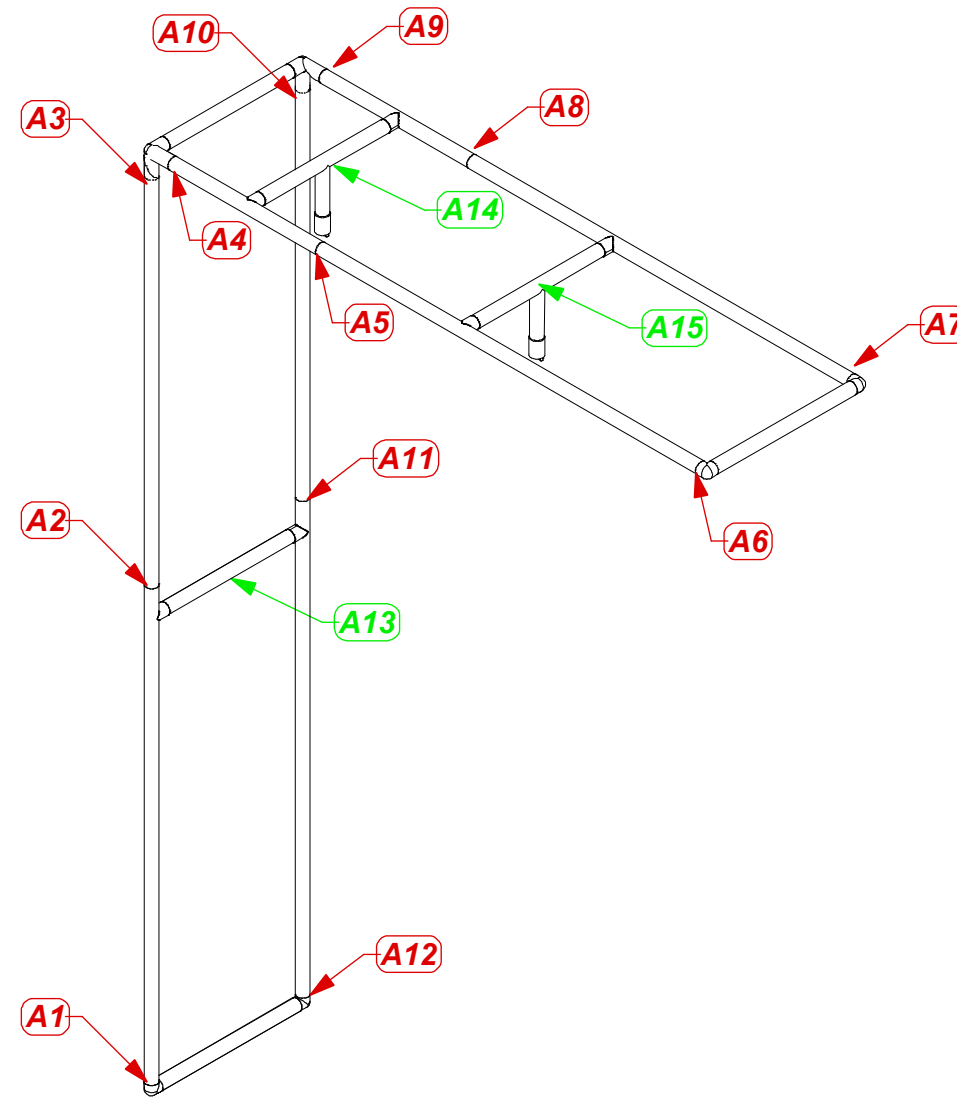
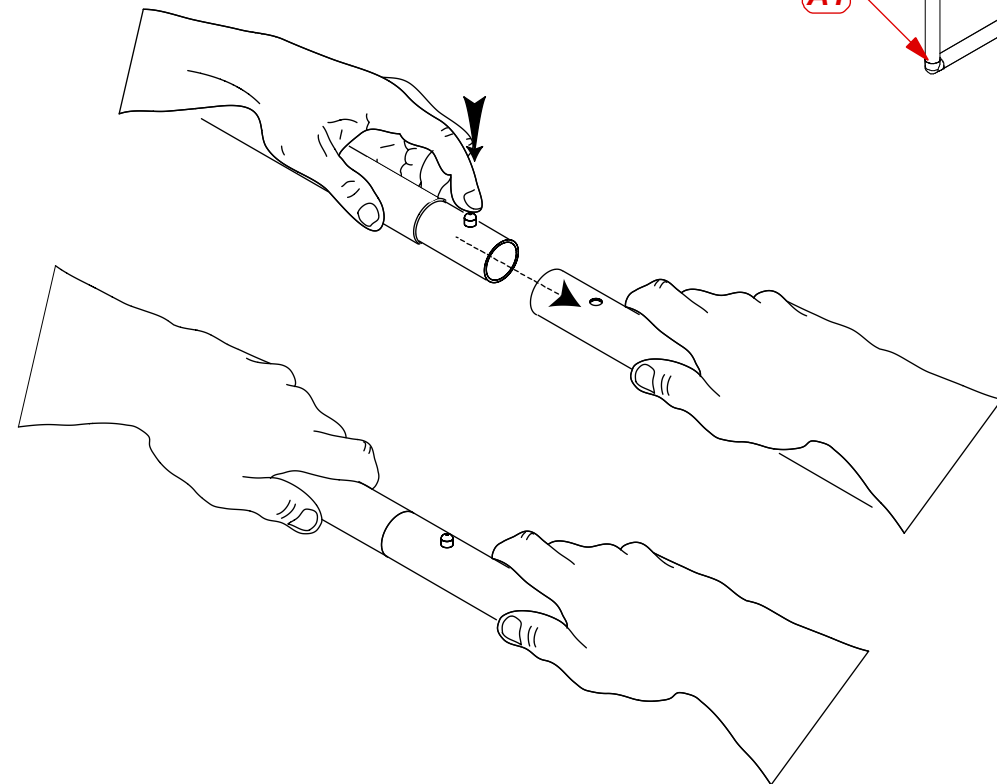
REVERSE SET-UP STEPS TO BREAKDOWN FRAME

**FABRIC CARE INSTRUCTIONS:**

1. UNZIP COVER ZIPPERS
2. CAREFULLY REMOVE FABRIC COVER
3. CLOSE ALL ZIPPERS
4. FOLD OR ROLL NEATLY
5. PLACE FABRIC IN COVER BAG

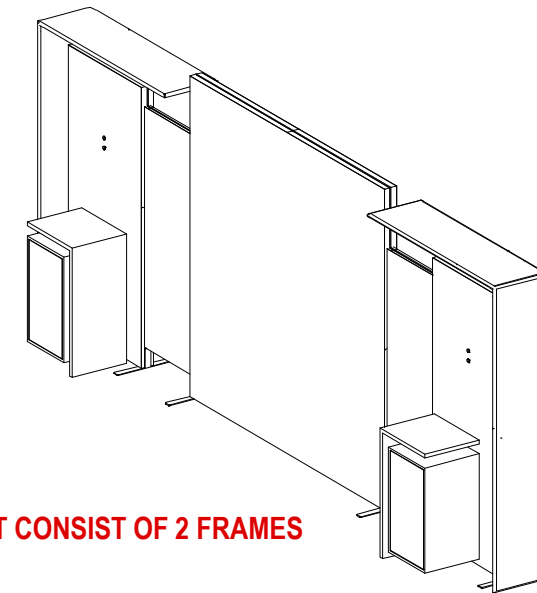
**PART LIST:**

- PER UNIT
- 14 30MM DIA. TUBE SECTIONS
  - 1 FABRIC COVER



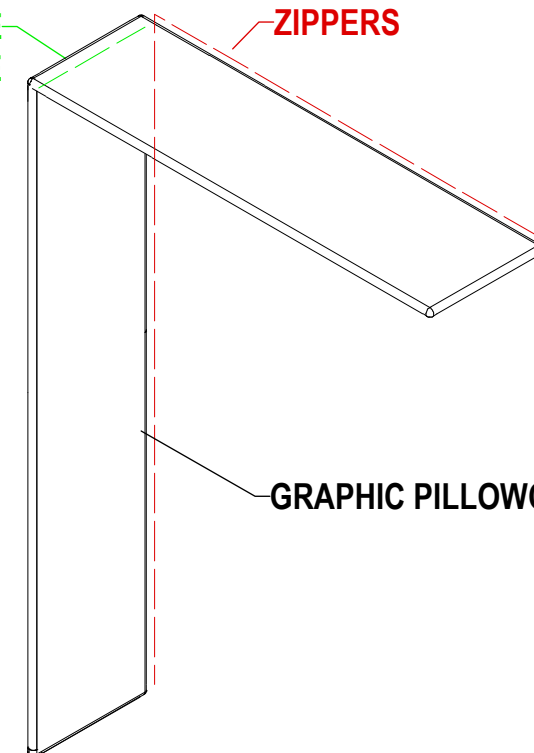
**Frame 'A' Assembly**

Assemble frame as shown



ZIPPER ON INSIDE OF THE FRAME

ZIPPERS



1. Redesign of this exhibit without approval by manufacturer may result in dangerous and unsafe structures. Manufacturer disclaims any responsibility for redesigned exhibits it does not approve in writing.

2. Parts and components such as panels and extrusions are manufactured to metric sizing. Where ever possible sizes have been noted in feet and inches as well as in metric. Below is the imperial to metric sizing table as reference. "Nominal" refers to approximate size.

2400mm = (94 1/2")	Phone Line / Fax
2100mm = (82 5/8")	Internet connection
1800mm = (70 7/8")	Outlet
1500mm = (59")	Main Drop (point of distrution)
1200mm = (47 1/4")	
900mm = (35 1/2")	
600mm = (23 5/8")	
300mm = (11 7/8")	

Wire running under carpet

	PM2S2
	PM2R8
	PHFC4
	PHFC2
	PH
	PH4SC

HYBRID PRO RENTAL KIT

Title: SET-UP INSTRUCTIONS

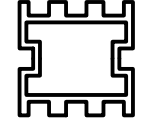
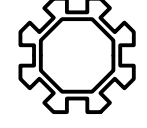
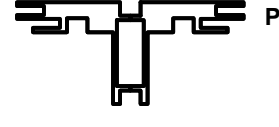
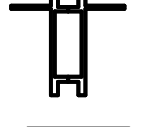


Code	#	Description
CUST FS	2	APPROX. 62" W X 90" H X 18" D CUSTOM L-SHAPED FABRIC STRUCTURE

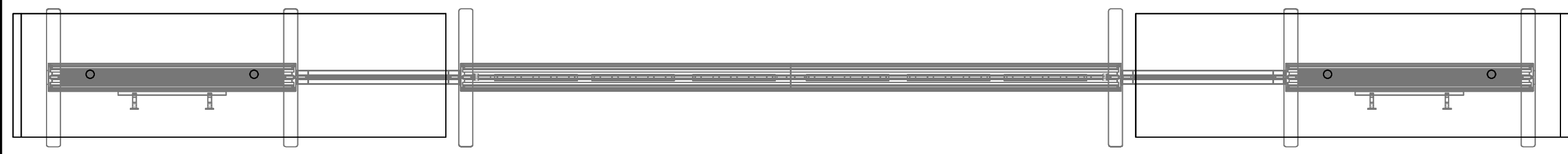
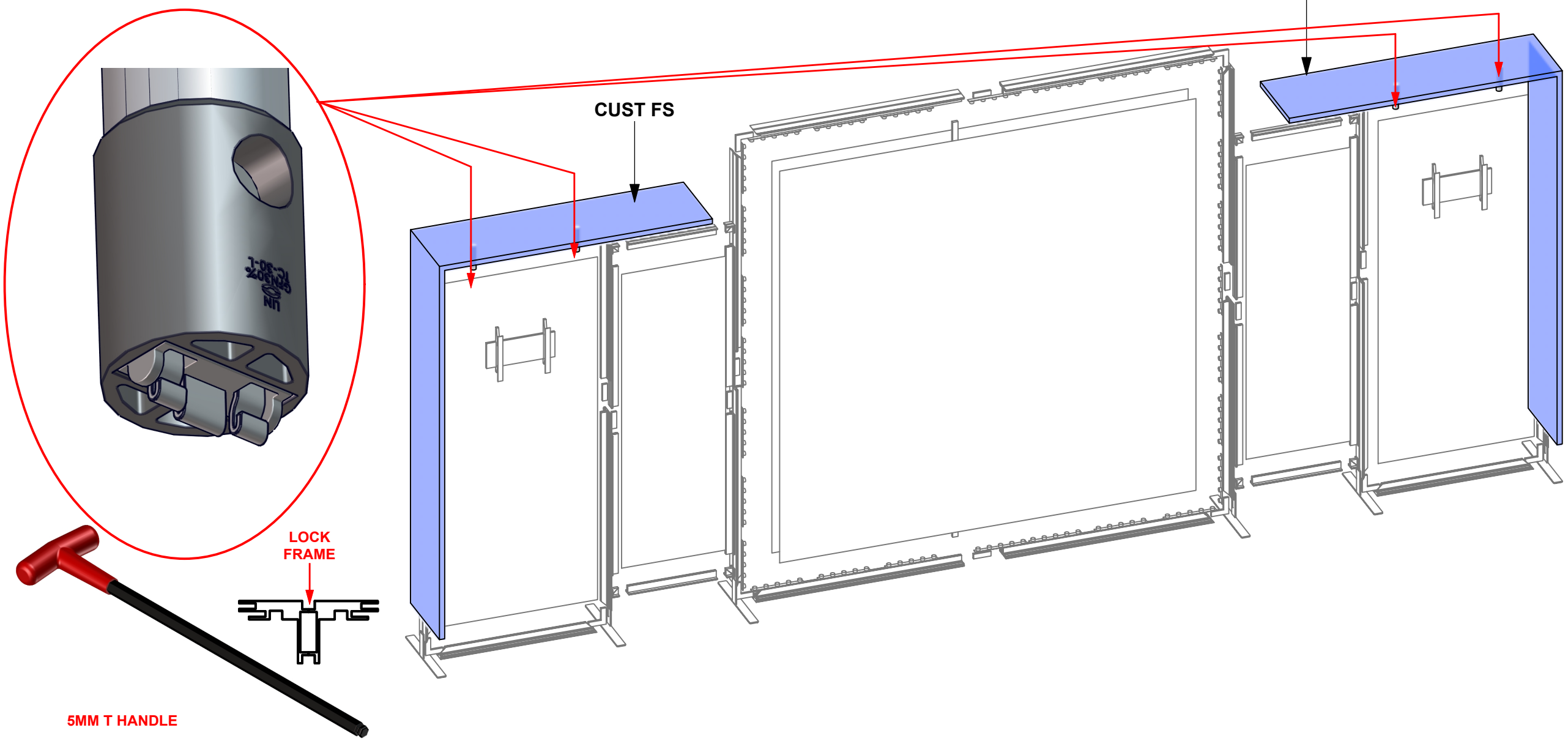
1. Redesign of this exhibit without approval by manufacturer may result in dangerous and unsafe structures. Manufacturer disclaims any responsibility for redesigned exhibits it does not approve in writing.

2. Parts and components such as panels and extrusions are manufactured to metric sizing. Where ever possible sizes have been noted in feet and inches as well as in metric. Below is the imperial to metric sizing table as reference. "Nominal" refers to approximate size.

2400mm = (94 1/2")	☒ Phone Line / Fax
2100mm = (82 5/8")	☒ Internet connection
1800mm = (70 7/8")	☒ Outlet
1500mm = (59")	☒ Main Drop (point of distribution)
1200mm = (47 1/4")	
900mm = (35 1/2")	
600mm = (23 5/8")	
300mm = (11 7/8")	

--- Wire running under carpet

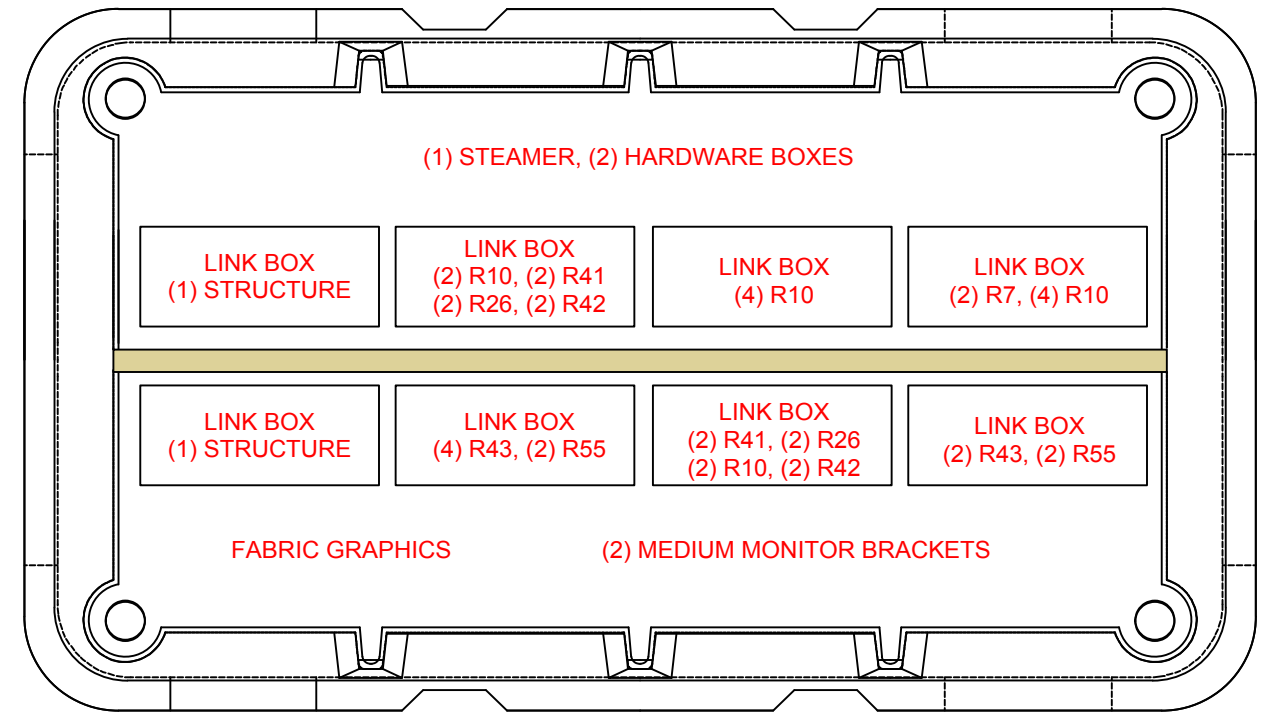
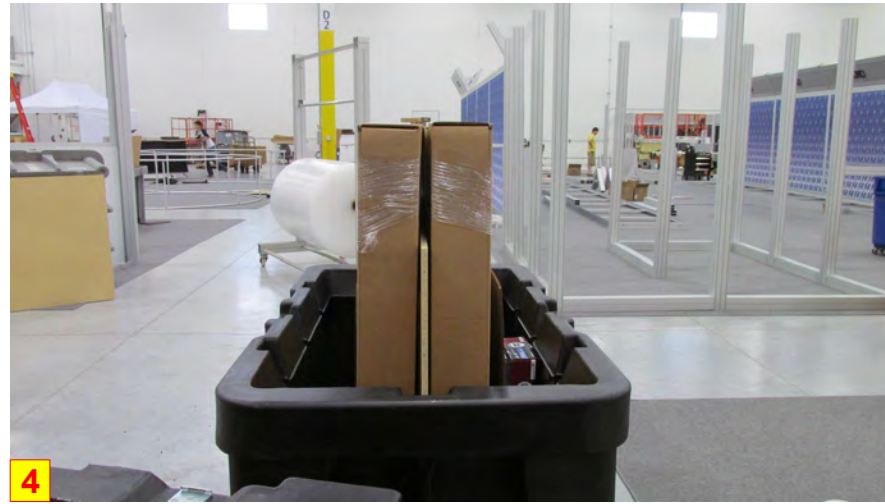
	PM2S2
	PM2R8
	PHFC4
	PHFC2
	PH
	PH4SC



**HYBRID PRO RENTAL KIT**

Title: SET-UP INSTRUCTIONS

# **PACKING INSTRUCTIONS**



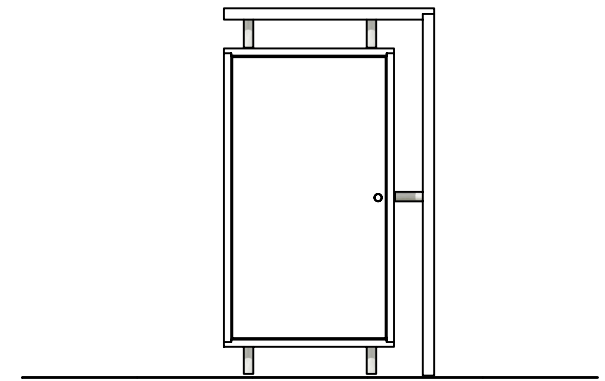
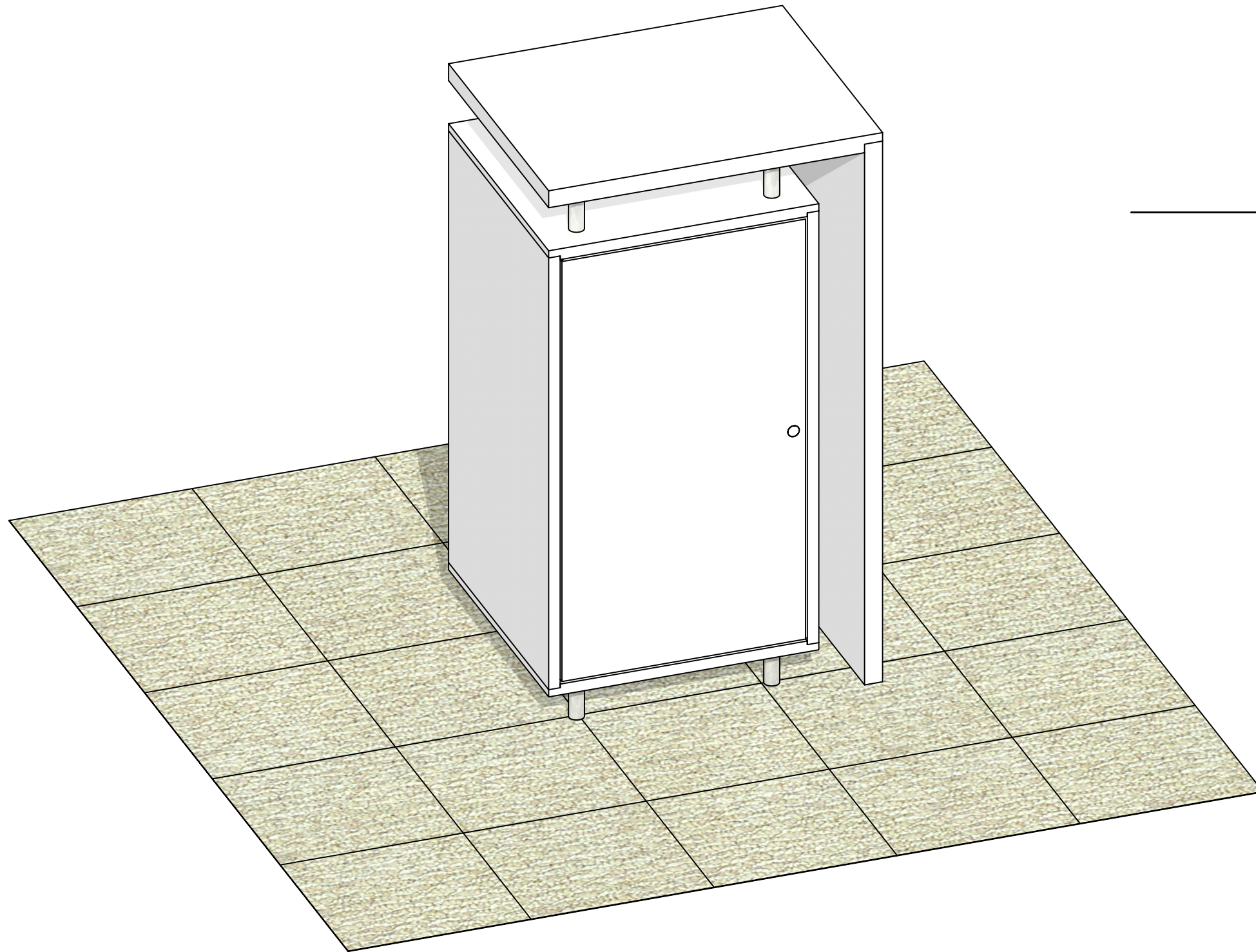
# CASE # 1

<b>LEGEND</b>		GREY FOAM FOLDED TO FILL EMPTY SPACES OR USED AS PROTECTION
		1/8" CARDBOARD SPACER (PUT IN BETWEEN EVERY PANEL)
		DIVIDER
		1/4" WHITE FOAM (USED AS PROTECTION DOOR PANELS W/ LOCKS)





**R-HPC-01-B**

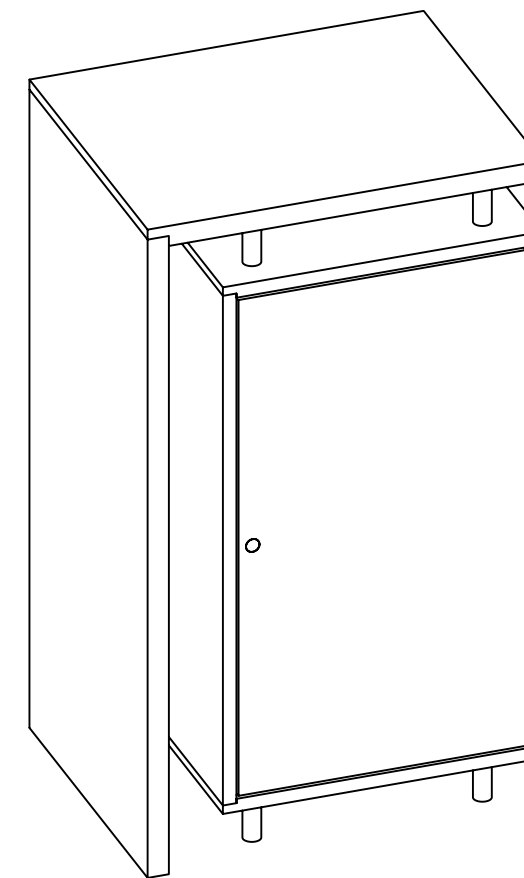
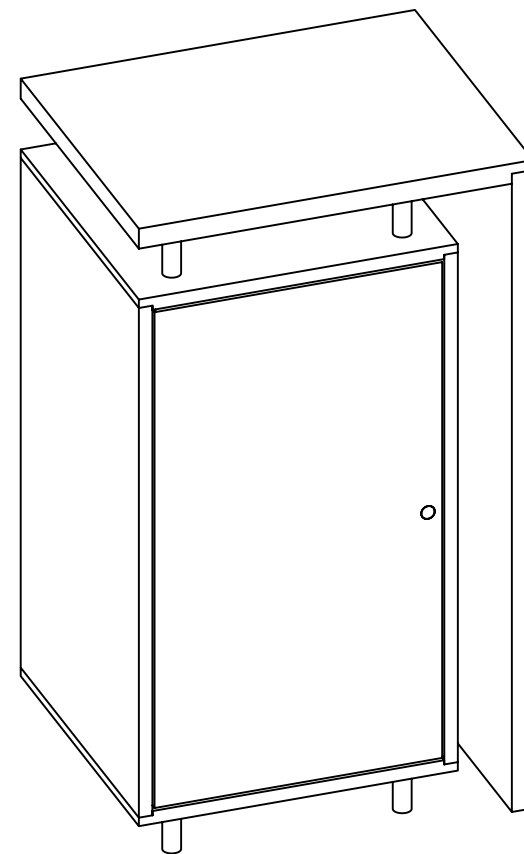
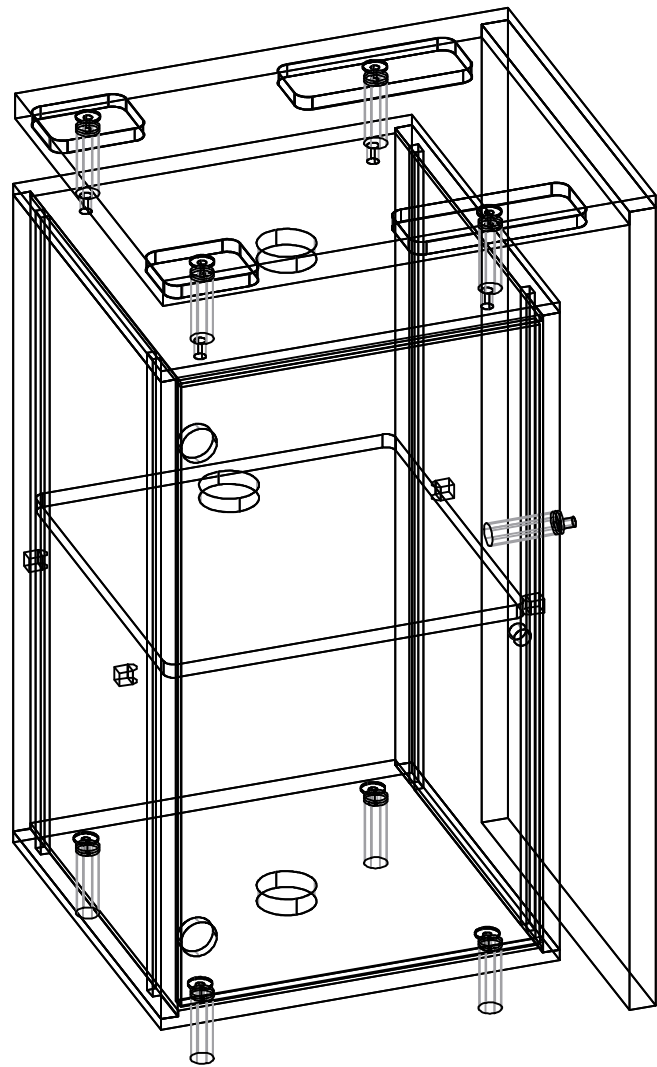
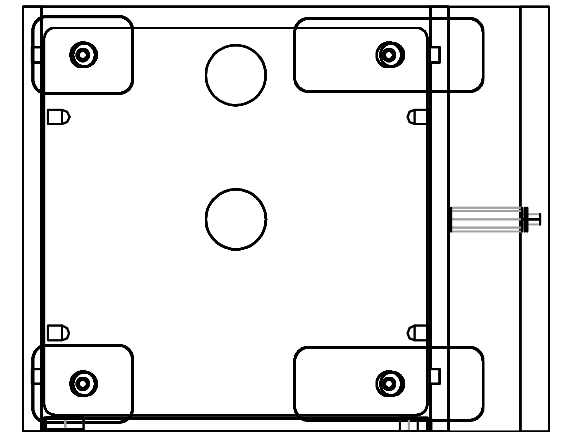


Code	#	Description
R-HPC-01-B-CT	2	4' X 2' X 2' L-SHAPED COUNTER TOP FOR R-HPC-01-A UNIT
SS4	8	SILVER SS4 SHELF SUPPORTS
SO-1 1/4 X 3	18	1 1/4" X 3" L STANDOFF ASSEMBLY
R-HPC-01-B-CAB	2	4' X 2" X 2' CUSTOM CABINET WITH SINGLE DOOR ON BACK (HIDDEN HINGES), INTERNAL SHELF AND WIRE M
R-HPC-01-A-INT	2	2' X 2' X 5/8" INTERNAL SHELF FOR HPC-01-B

# BOM

R-HPC-01-B

(2) UNITS

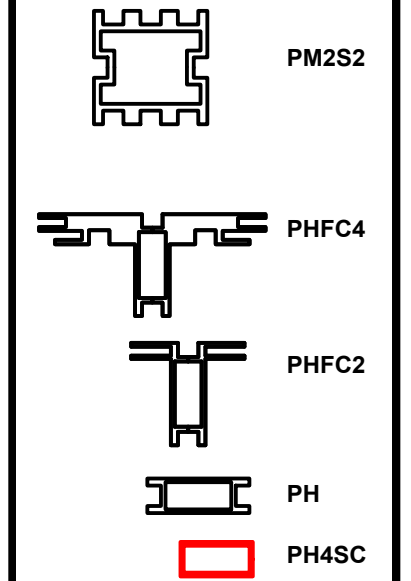
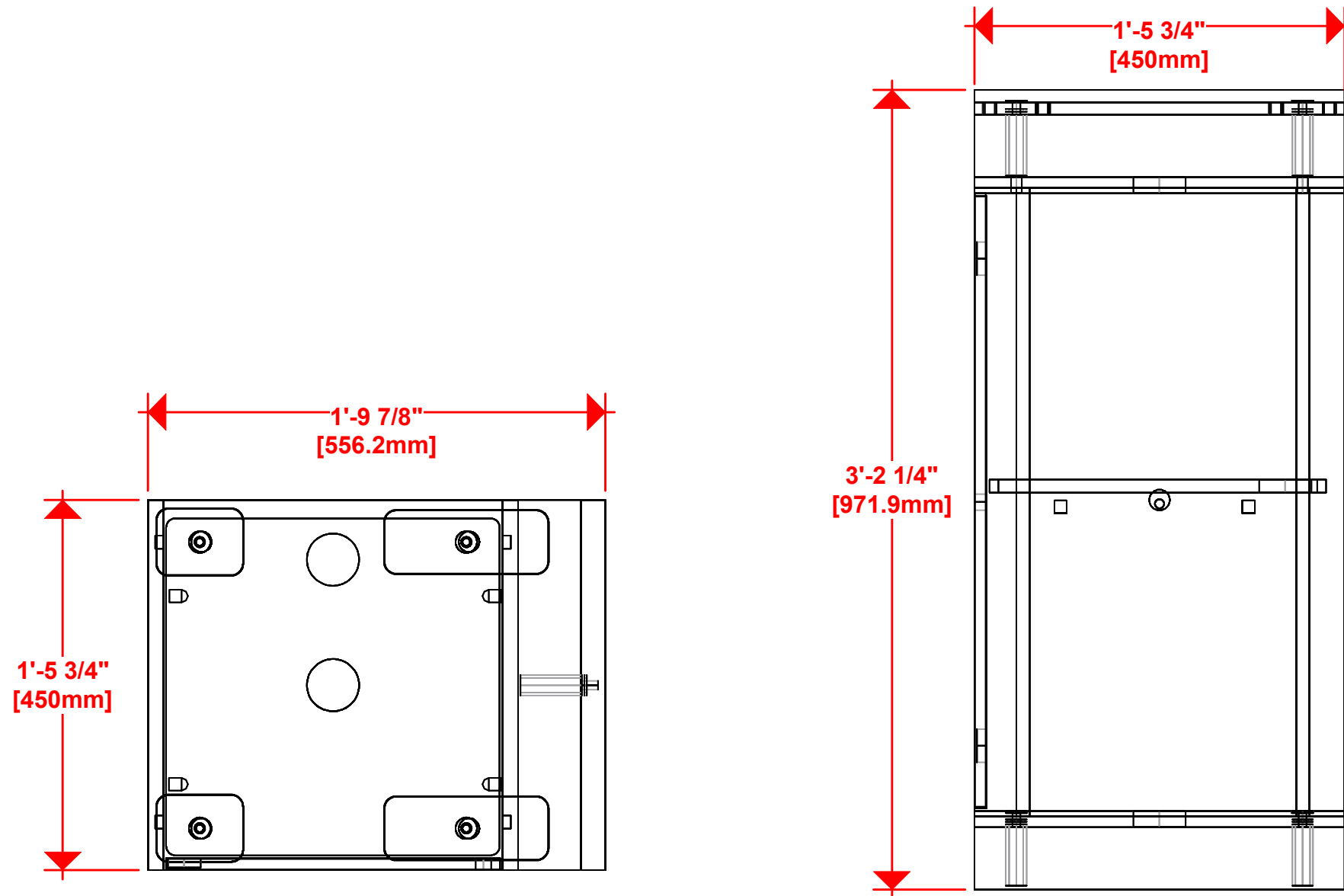


1. Redesign of this exhibit without approval by manufacturer may result in dangerous and unsafe structures. Manufacturer disclaims any responsibility for redesigned exhibits it does not approve in writing.

2. Parts and components such as panels and extrusions are manufactured to metric sizing. Where ever possible sizes have been noted in feet and inches as well as in metric. Below is the imperial to metric sizing table as reference. "Nominal" refers to approximate size.

2400mm = (94 1/2")	☒ Phone Line / Fax
2100mm = (82 5/8")	☒ Internet connection
1800mm = (70 7/8")	☒ Outlet
1500mm = (59")	☒ Main Drop (point of distrution)
1200mm = (47 1/4")	
900mm = (35 1/2")	
600mm = (23 5/8")	
300mm = (11 7/8")	

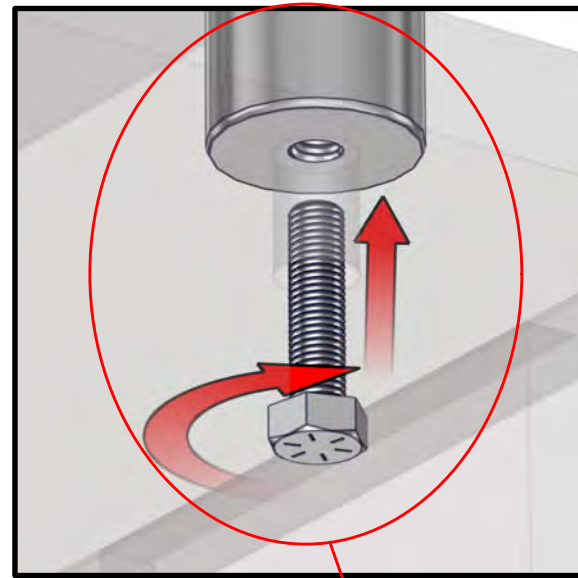
--- Wire running under carpet



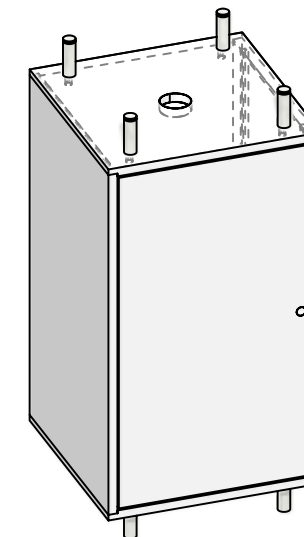
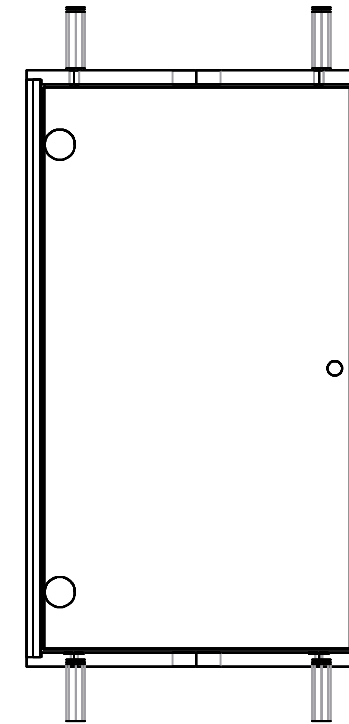
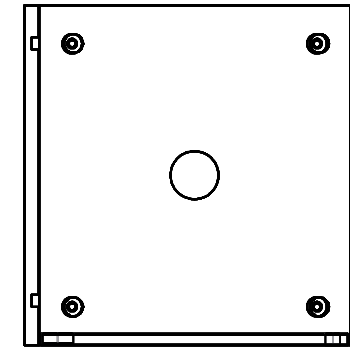
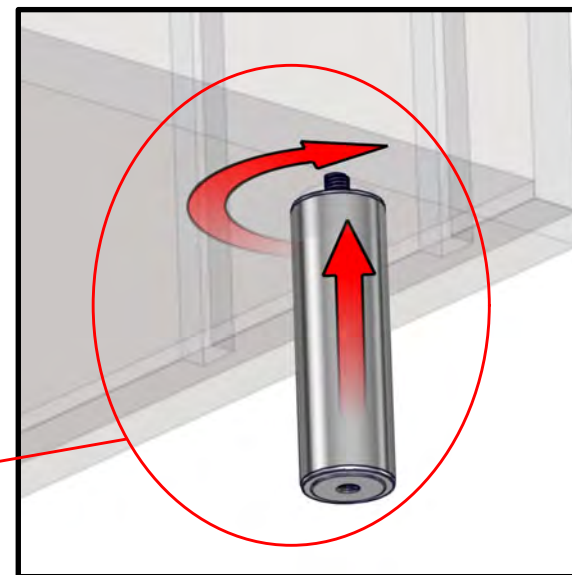
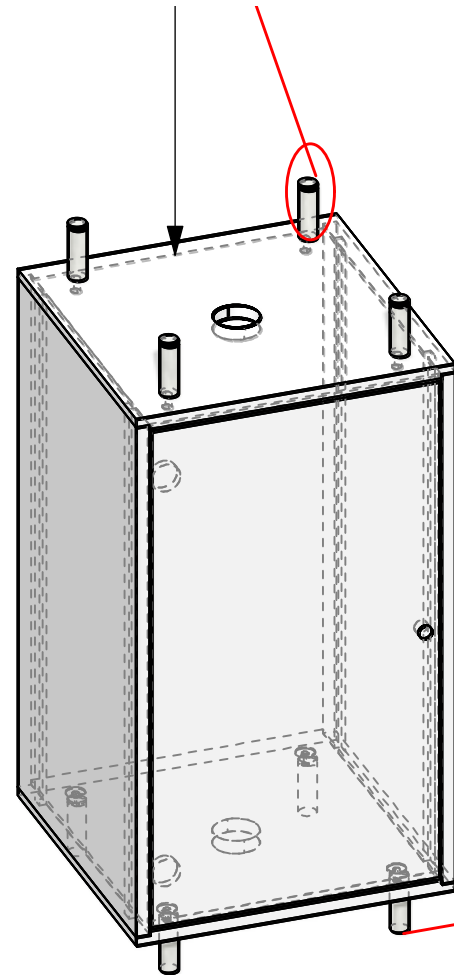
**HYBRID PRO RENTAL KIT**

Title: SET-UP INSTRUCTIONS

Code	#	Description
SO-1 1/4 X 3	9	1 1/4" X 3" L STANDOFF ASSEMBLY
R-HPC-01-B-C	1	4' X 2" X 2' CUSTOM CABINET WITH SINGLE DOOR ON BACK (HIDDEN HINGES), INTERNAL SHELF AND WIRE MANAGEMENT HOLES



**R-HPC-01-B-CAB**

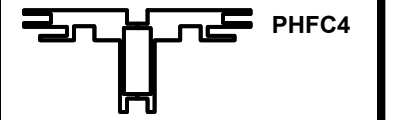
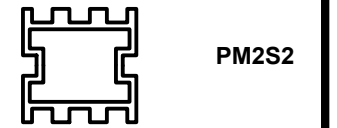


1. Redesign of this exhibit without approval by manufacturer may result in dangerous and unsafe structures. Manufacturer disclaims any responsibility for redesigned exhibits it does not approve in writing.

2. Parts and components such as panels and extrusions are manufactured to metric sizing. Where ever possible sizes have been noted in feet and inches as well as in metric. Below is the imperial to metric sizing table as reference. "Nominal" refers to approximate size.

2400mm = (94 1/2")	Phone Line / Fax
2100mm = (82 5/8")	Internet connection
1800mm = (70 7/8")	Outlet
1500mm = (59")	Main Drop (point of distrution)
1200mm = (47 1/4")	
900mm = (35 1/2")	
600mm = (23 5/8")	
300mm = (11 7/8")	

--- Wire running under carpet

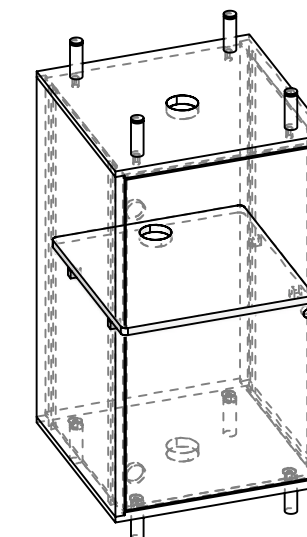
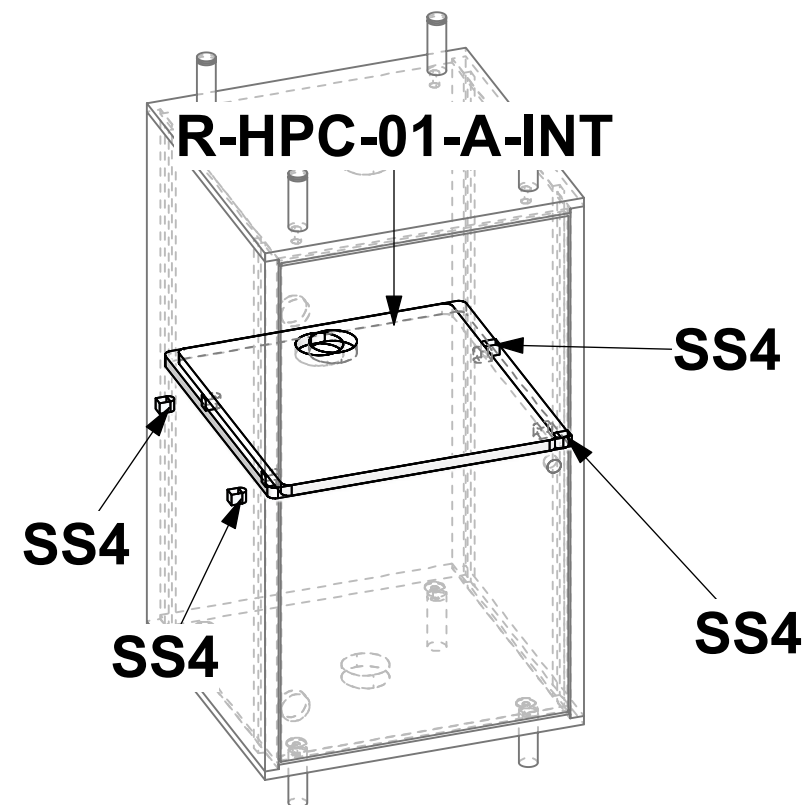
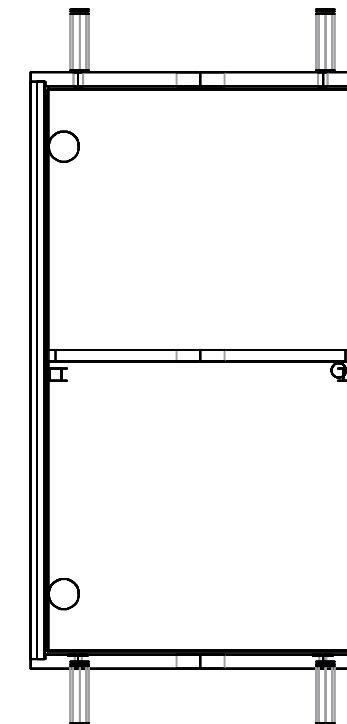
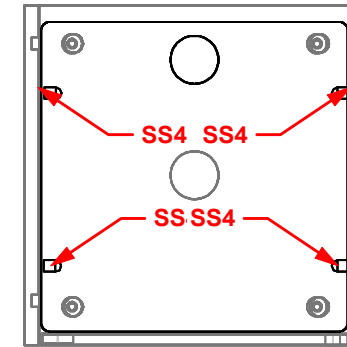
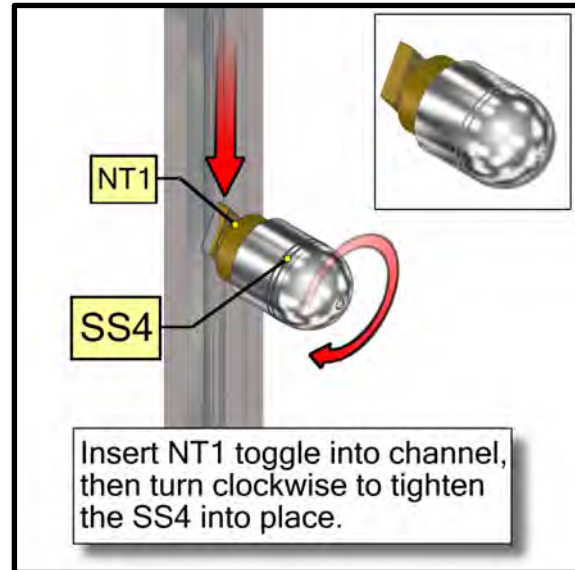


**HYBRID PRO RENTAL KIT**

Title: SET-UP INSTRUCTIONS



Code	#	Description
SS4	4	SILVER SS4 SHELF SUPPORTS
R-HPC-01-A-INT	1	2' X 2' X 5/8" INTERNAL SHELF FOR HPC-01-B

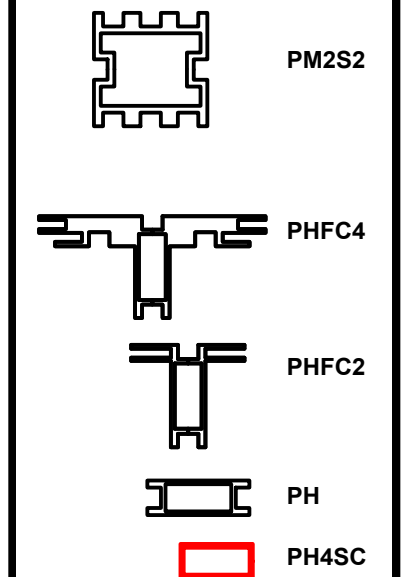


1. Redesign of this exhibit without approval by manufacturer may result in dangerous and unsafe structures. Manufacturer disclaims any responsibility for redesigned exhibits it does not approve in writing.

2. Parts and components such as panels and extrusions are manufactured to metric sizing. Where ever possible sizes have been noted in feet and inches as well as in metric. Below is the imperial to metric sizing table as reference. "Nominal" refers to approximate size.

2400mm = (94 1/2")	Phone Line / Fax
2100mm = (82 5/8")	Internet connection
1800mm = (70 7/8")	Outlet
1500mm = (59")	Main Drop (point of distrution)
1200mm = (47 1/4")	
900mm = (35 1/2")	
600mm = (23 5/8")	
300mm = (11 7/8")	

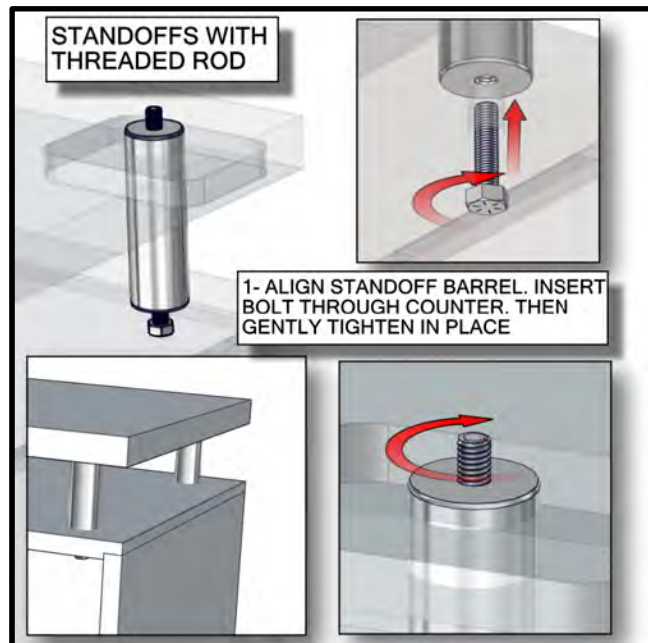
--- Wire running under carpet



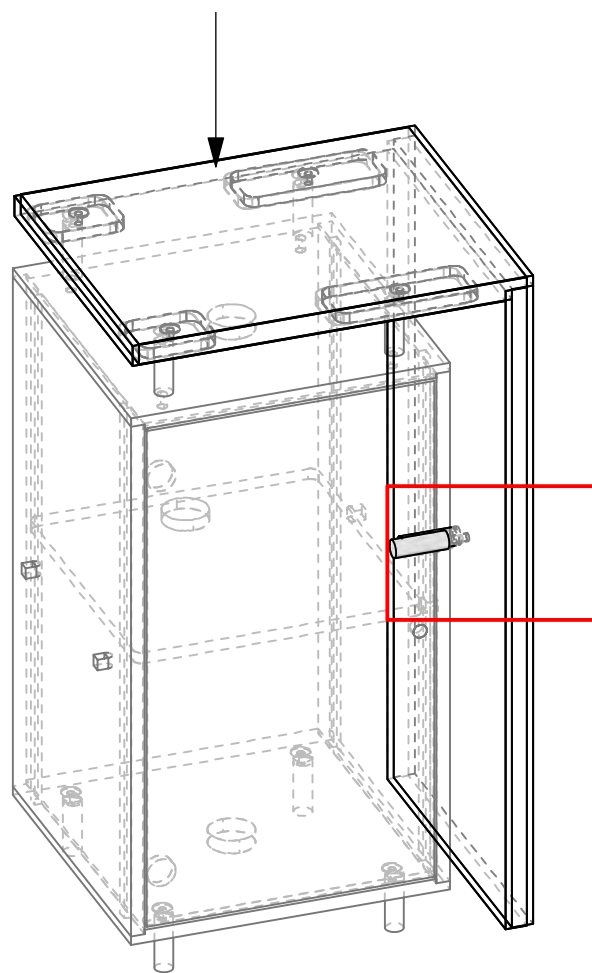
HYBRID PRO RENTAL KIT

Title: SET-UP INSTRUCTIONS

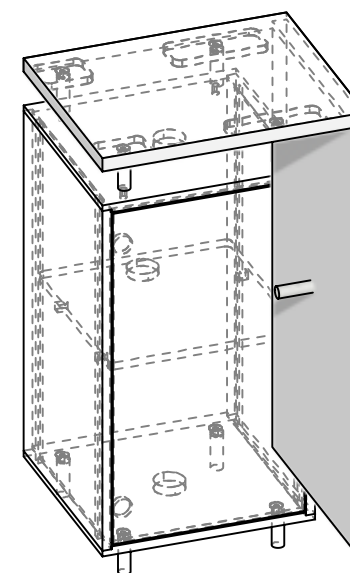
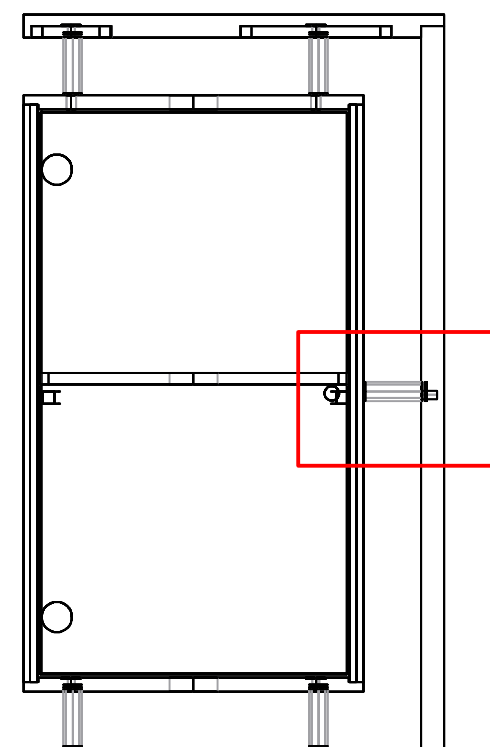
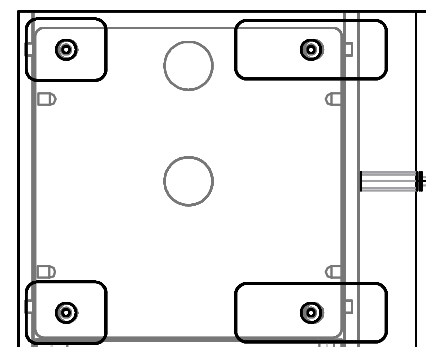
Code	#	Description
R-HPC-01-B-CT	1	4' X 2' X 2' L-SHAPED COUNTER TOP FOR R-HPC-01-A UNIT



### R-HPC-01-B-CT



**STANDOFF ATTACH TO "L" SHAPED COUNTER ONLY!**

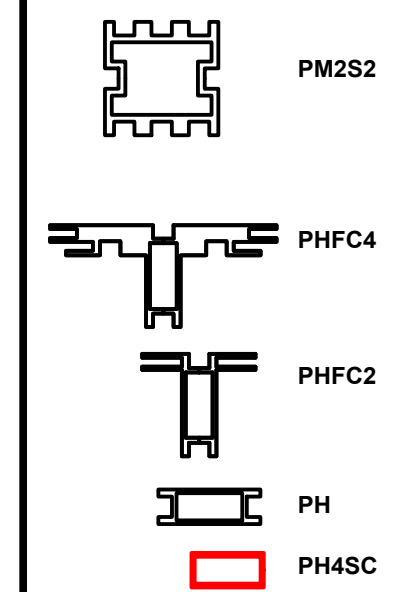


1. Redesign of this exhibit without approval by manufacturer may result in dangerous and unsafe structures. Manufacturer disclaims any responsibility for redesigned exhibits it does not approve in writing.

2. Parts and components such as panels and extrusions are manufactured to metric sizing. Where ever possible sizes have been noted in feet and inches as well as in metric. Below is the imperial to metric sizing table as reference. "Nominal" refers to approximate size.

2400mm = (94 1/2")	Phone Line / Fax
2100mm = (82 5/8")	Internet connection
1800mm = (70 7/8")	Outlet
1500mm = (59")	Main Drop (point of distrution)
1200mm = (47 1/4")	
900mm = (35 1/2")	
600mm = (23 5/8")	
300mm = (11 7/8")	

--- Wire running under carpet



### HYBRID PRO RENTAL KIT





Title: SET-UP INSTRUCTIONS

# **PACKING INSTRUCTIONS**



**1** R-HPC-01-B

# CASE # 1

LEGEND	
	GREY FOAM FOLDED TO FILL EMPTY SPACES OR USED AS PROTECTION
	1/8" CARDBOARD SPACER (PUT IN BETWEEN EVERY PANEL)
	DIVIDER
	1/4" WHITE FOAM (USED AS PROTECTION DOOR PANELS W/ LOCKS)





# Monitor Bracket Instructions

## Extrusion Channel Applications



### EXT-SM-MB

Vesa Pattern: 75 x 75  
up to 200 x 200mm

Max weight varies per application

**Assembled unit:**

10" w x 8.86" h x 2" d  
255mm (w) x 225mm (h) x 50mm (d)

**Shipping dimensions:**

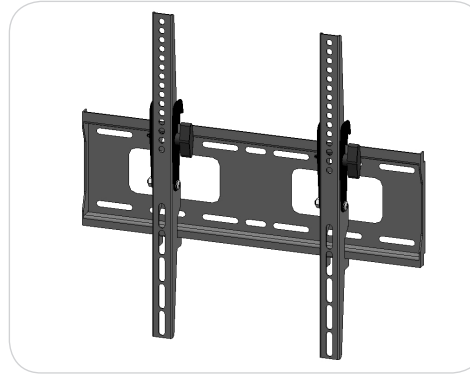
14" l x 6" h x 4" d  
356mm (l) x 152mm (h) x 102mm (d)

**Approximate total shipping weight:**

6 lbs / 3 kg

**Recommended monitor sizes:**

23" - 42"



### EXT-M-MB

Vesa Pattern: 200 x 200  
up to 400 x 400mm

Max weight varies per application

**Assembled unit:**

17.6" w x 16.7" h x 1.6" d  
448mm (w) x 425mm (h) x 40mm (d)

**Shipping dimensions:**

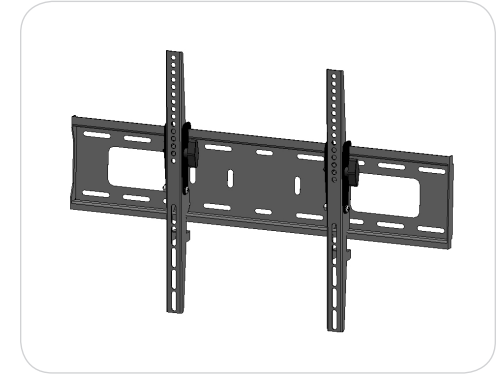
24" l x 4" h x 4" d  
610mm (l) x 102mm (h) x 102mm (d)

**Approximate total shipping weight:**

8 lbs / 4 kg

**Recommended monitor sizes:**

32" - 55"



### EXT-LG-MB

Vesa Pattern: 200 x 200  
up to 600 x 400mm

Max weight varies per application

**Assembled unit:**

25.9" w x 16.7" h x 1.6" d  
658mm (w) x 425mm (h) x 40mm (d)

**Shipping dimensions:**

28" l x 6" h x 6" d  
711mm (l) x 152mm (h) x 152mm (d)

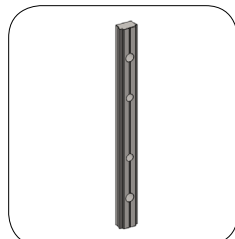
**Approximate total shipping weight:**

9 lbs / 5 kg

**Recommended monitor sizes:**

37" - 70"

## Included hardware:



LN-100

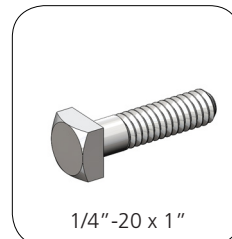
x2



M5 x 10

LN-LCD-SCW

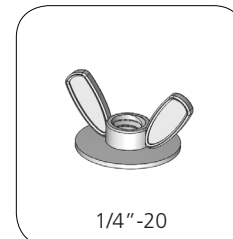
x2



1/4"-20 x 1"

BOLT-1

x2



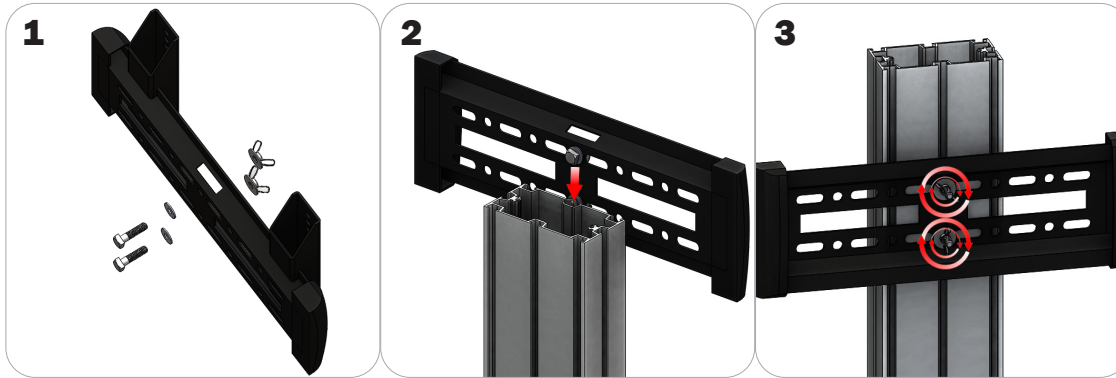
1/4"-20

Flange Wing nut

x2

# Extrusion Connection

## Channel Connection A



Locate all components needed to assemble the monitor mount with the channel connection A method. You will need (1) monitor bracket, (2) square head bolts, (2) washers, and (2) wing nuts.

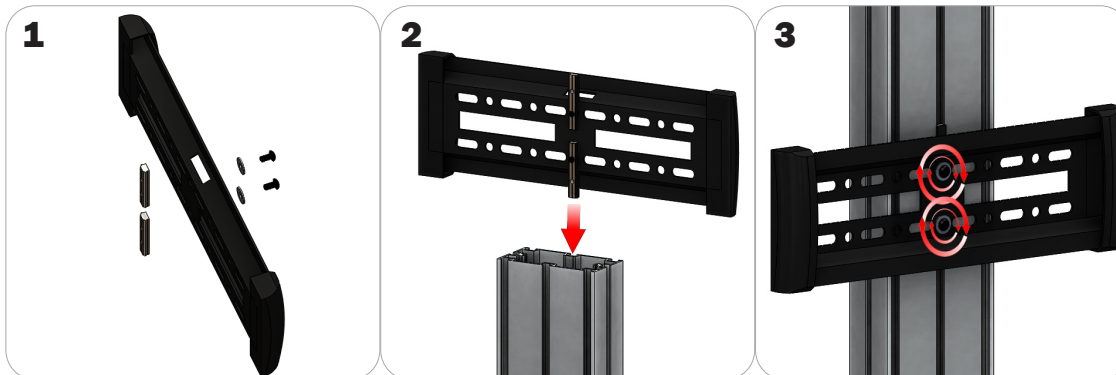
**Step 1:** Insert the provided bolts through the washers and center top and bottom holes of the monitor mount. Loosely thread your wing nuts onto the end of the bolts.

**Step 2:** Slide the bolt heads down the extrusion channel.

**Step 3:** Tighten your wing nuts to lock the monitor bracket in place.

**Step 4:** Reference the included manufacturer monitor mount instructions for fastening your monitor to the bracket.

## Channel Connection B



Locate all components needed to assemble the monitor mount with the channel connection B method. You will need (1) monitor bracket, (2) LN-LCD-SCW, (2) LN-100, and (2) washers.

**Step 1:** Loosely thread the LN-LCD-SCW screws through the washers, the center top and bottom holes of the monitor bracket, and through the LN-50 holes.

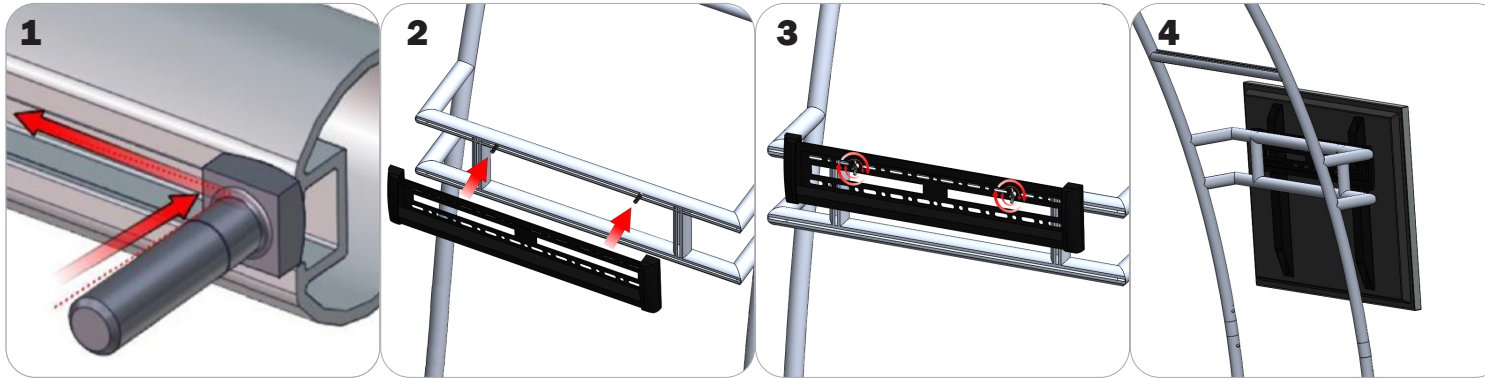
**Step 2:** Slide the LN-100s down the extrusion channel.

**Step 3:** Tighten your LN-LCD-SCW to lock the monitor bracket in place.

**Step 4:** Reference the included manufacturer monitor mount instructions for fastening your monitor to the bracket.

# Extrusion Connection

## TRI-30MM Channel Tube Connection



Locate all components needed to assemble the monitor mount with the TRI-30MM Channel Tube Connection method. You will need (1) monitor bracket, (2) Square Bolts, and (2) Wingnuts.

**Step 1:** Slip the head of the square bolts into the extrusion channel of the tube.

**Step 2:** Apply your monitor bracket to the protruding square bolts.

**Step 3:** Lock your monitor bracket to the square bolts using the provided wingnuts.

**Step 4:** Reference the included manufacturer monitor mount instructions for fastening your monitor to the bracket.