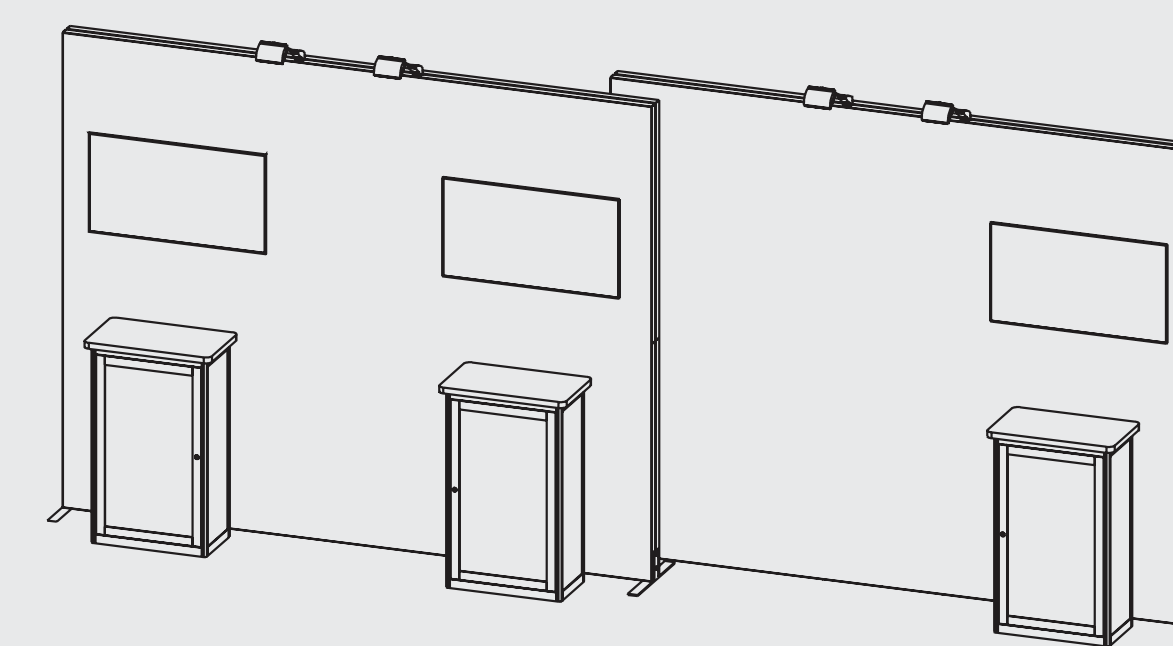


## Hybrid Pro Modular Kit: Hybrid Pro Modular Kit 14



### TEMPLATE @ 1/2 SIZE

Dye Sub Gaphic Panel A

Total Graphic Area: 122" w x 98.375" h

Finished Graphic Area: 118" w x 94.375" h

Dye Sub Graphic Panel B

Total Graphic Area: 122" w x 98.375" h

Finished Graphic Area: 118" w x 94.375" h

Viewable area: 106.44" w x 94.375

Please be sure to include 2" of bleed around the perimeter.

Please consider obstructions and spaces created by the extrusions when designing your graphics.

Please design the hybrid counter artwork on a seperate template.

### General Art Guidelines:

- CMYK Color Mode
- All Solid Coated Pantone colors should be called out in the art as spot colors
- Embed all images and support files
- Resolution must be 200-240 ppi at half scale, 100-120 ppi at full scale
- All fonts must be created to outlines
- Do not scale artboard
- Background color/images must bleed to the edge of artboard
- Do not use spot colors from template in your artwork as they will not print

REPRESENTS  
OBSTRUCTION ONLY

REPRESENTS  
OBSTRUCTION ONLY

PANEL A

REPRESENTS  
OBSTRUCTION ONLY

Use separate template for  
hybrid counter 07 graphic.  
This panel only  
represents placement  
to show the  
obstructed area.

REPRESENTS  
OBSTRUCTION ONLY

Use separate template for  
hybrid counter 07 graphic.  
This panel only  
represents placement  
to show the  
obstructed area.

REPRESENTS OBSTRUCTION FROM FRAME A

PANEL B

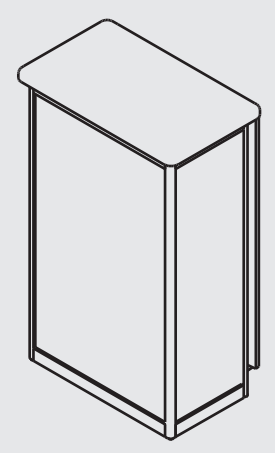
REPRESENTS  
OBSTRUCTION ONLY

REPRESENTS  
OBSTRUCTION ONLY  
Use separate template for  
hybrid counter 07 graphic.  
This panel only  
represents placement  
to show the  
obstructed area.

bleed area  
trim line  
safe zone

# Hybrid Counter: Counter 07

---



## **BACK**

Total Graphic Area: 22.8125" w X 37.3" h

Total Trim Area: 21.8125" w X 36.3" h

Total Visual Area: 21.3125" w X 35.8125" h

## **SIDES**

Total Graphic Area: 12.5" w X 37.3" h

Total Trim Area: 11.5" w X 36.3" h

Total Visual Area: 11" w X 35.8125" h

## **DOOR**

Total Graphic Area: 19.03" w X 33.6875" h

Total Trim Area: 18.03" w X 32.6875" h

Total Visual Area: 17.53" w X 32.1875" h

Please extend bleed all the way out to the outermost black border on the template. Consider extrusion width and bends when designing graphic layout.

## **General Art Guidelines:**

---

- CMYK Color Mode
- All Solid Coated Pantone colors should be called out in the art as spot colors
- Embed all images and support files
- Resolution must be 100-120 ppi
- All fonts must be created to outlines
- Do not scale artboard
- Background color/images must bleed to the edge of artboard
- Do not use spot colors from template in your artwork as they will not print

# SIDE

**BACK**

**SIDE**

# FRONT DOOR

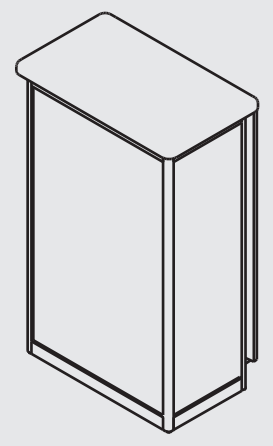
bleed area

trim line

safe area

# Hybrid Counter: Counter 07

---



## **BACK**

Total Graphic Area: 22.8125" w X 37.3" h

Total Trim Area: 21.8125" w X 36.3" h

Total Visual Area: 21.3125" w X 35.8125" h

## **SIDES**

Total Graphic Area: 12.5" w X 37.3" h

Total Trim Area: 11.5" w X 36.3" h

Total Visual Area: 11" w X 35.8125" h

## **DOOR**

Total Graphic Area: 19.03" w X 33.6875" h

Total Trim Area: 18.03" w X 32.6875" h

Total Visual Area: 17.53" w X 32.1875" h

Please extend bleed all the way out to the outermost black border on the template. Consider extrusion width and bends when designing graphic layout.

## **General Art Guidelines:**

---

- CMYK Color Mode
- All Solid Coated Pantone colors should be called out in the art as spot colors
- Embed all images and support files
- Resolution must be 100-120 ppi
- All fonts must be created to outlines
- Do not scale artboard
- Background color/images must bleed to the edge of artboard
- Do not use spot colors from template in your artwork as they will not print

# SIDE

**BACK**



**SIDE**

# FRONT DOOR

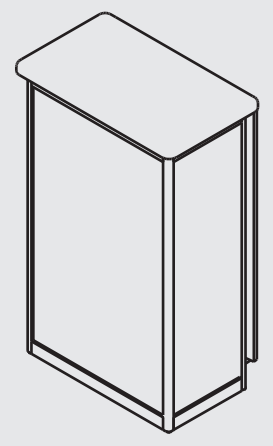
bleed area

trim line

safe area

# Hybrid Counter: Counter 07

---



## **BACK**

Total Graphic Area: 22.8125" w X 37.3" h

Total Trim Area: 21.8125" w X 36.3" h

Total Visual Area: 21.3125" w X 35.8125" h

## **SIDES**

Total Graphic Area: 12.5" w X 37.3" h

Total Trim Area: 11.5" w X 36.3" h

Total Visual Area: 11" w X 35.8125" h

## **DOOR**

Total Graphic Area: 19.03" w X 33.6875" h

Total Trim Area: 18.03" w X 32.6875" h

Total Visual Area: 17.53" w X 32.1875" h

Please extend bleed all the way out to the outermost black border on the template. Consider extrusion width and bends when designing graphic layout.

## **General Art Guidelines:**

---

- CMYK Color Mode
- All Solid Coated Pantone colors should be called out in the art as spot colors
- Embed all images and support files
- Resolution must be 100-120 ppi
- All fonts must be created to outlines
- Do not scale artboard
- Background color/images must bleed to the edge of artboard
- Do not use spot colors from template in your artwork as they will not print

# SIDE

**BACK**

**SIDE**

# FRONT DOOR

bleed area

trim line

safe area