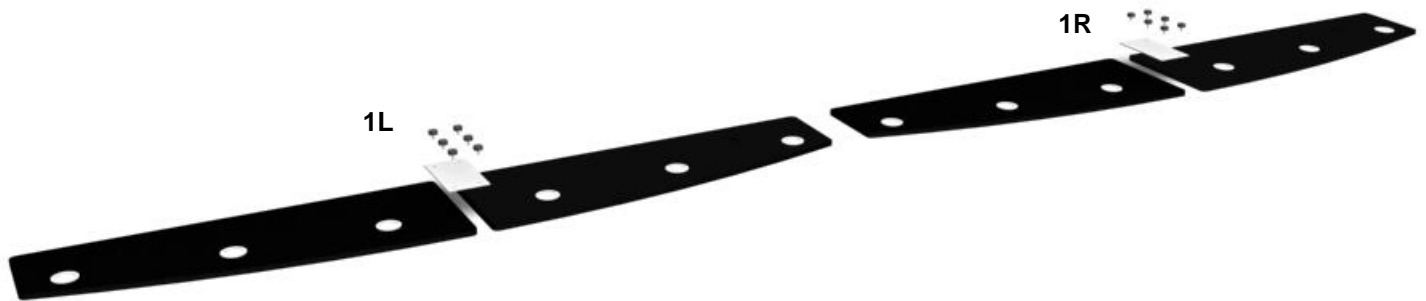
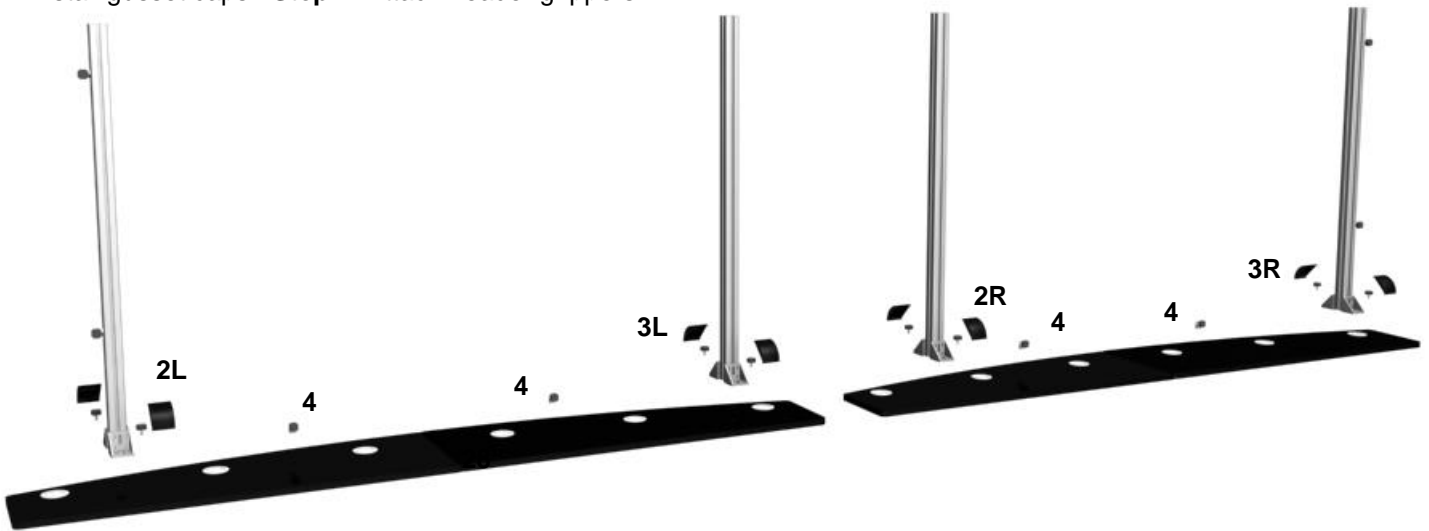


Step 1. Attach left and right canopies using 6 **short** knobs and aluminum joining plate.



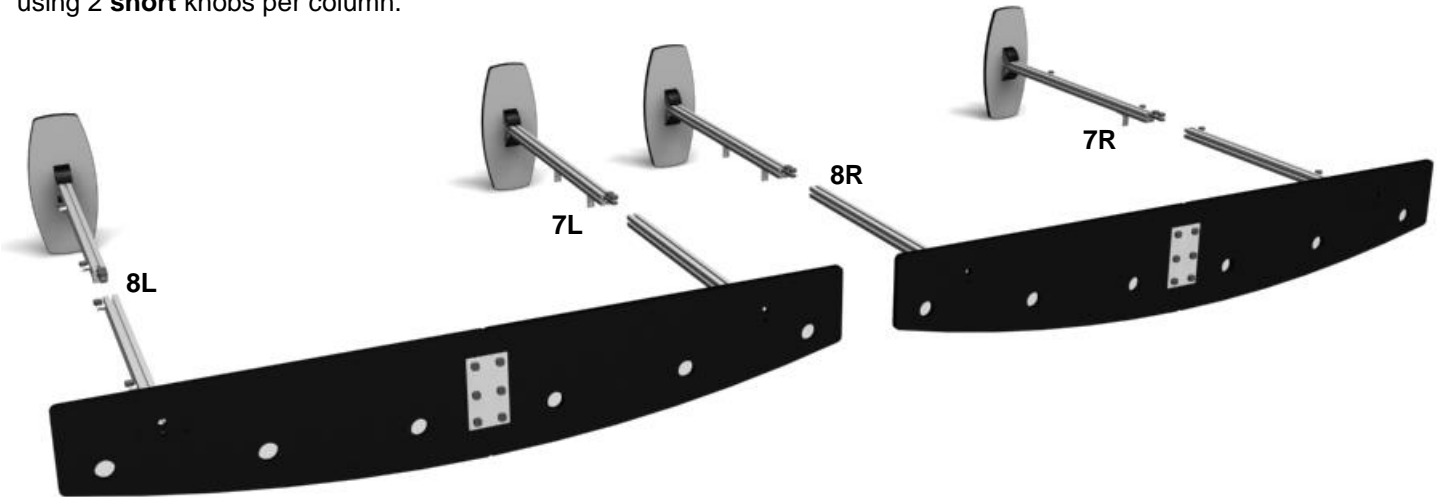
Steps 2-4. Flip canopy over and attach left and right upper column sections using 2 **short** knobs per column. Install gusset caps. **Step 4.** Attach header grippers.



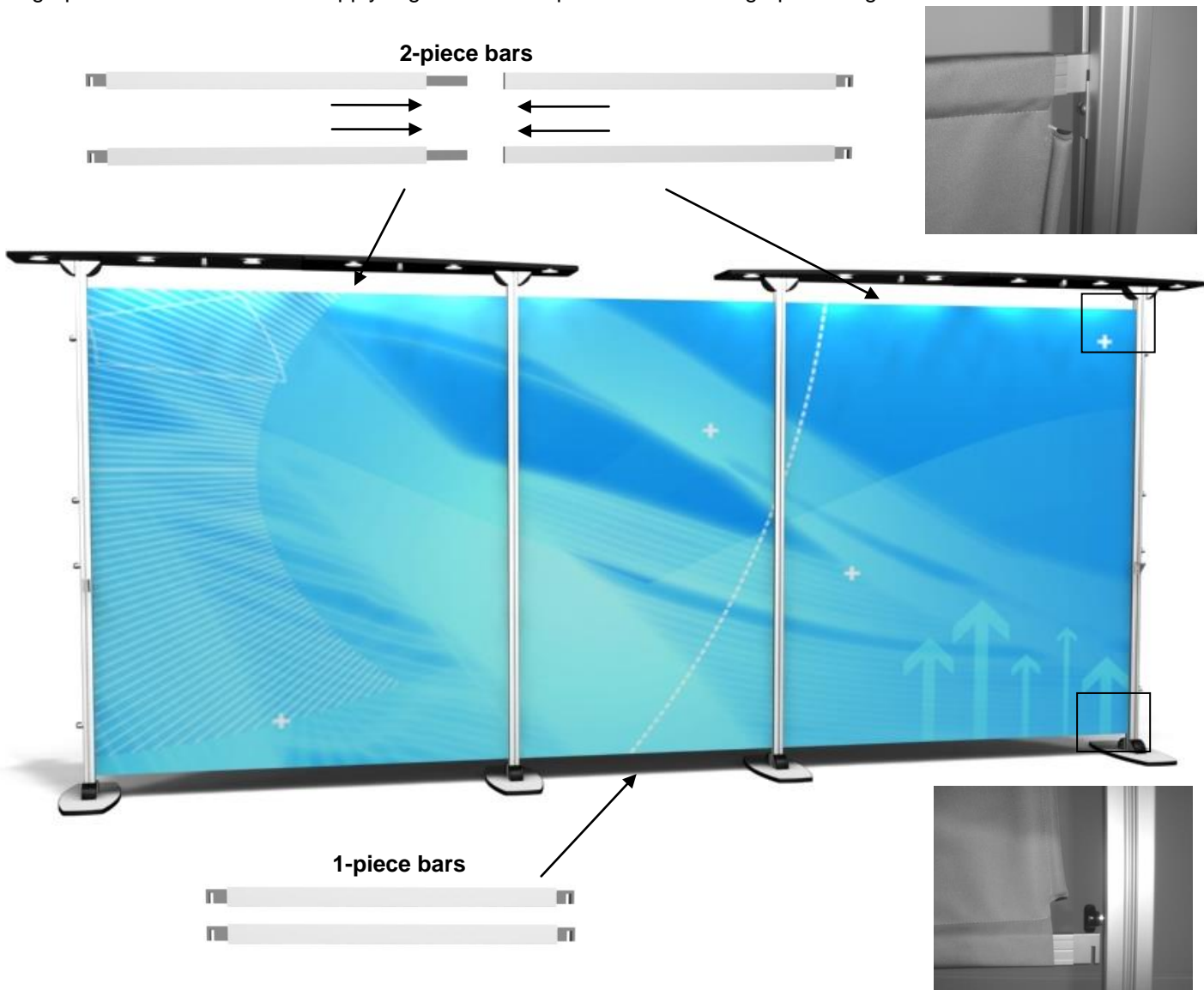
Steps 5&6. Attach left and right lower columns to feet using 2 **short** knobs per column. Install gusset caps.



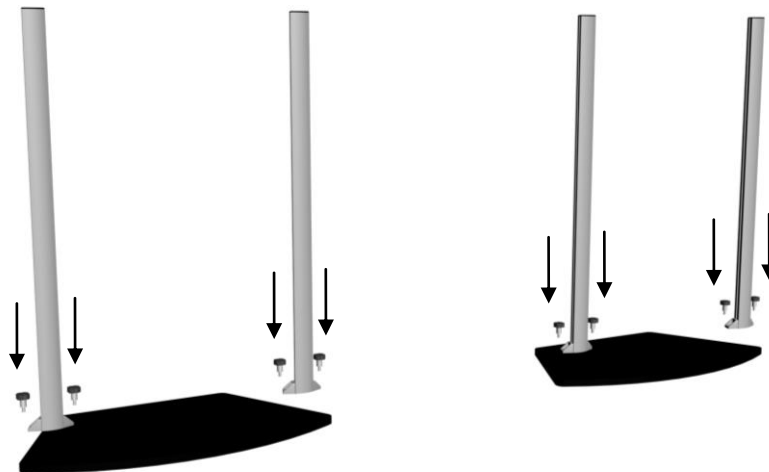
Steps 7&8. Tip canopy and legs down; attach left and right lower columns to upper columns using 2 **short** knobs per column.



Step 9. Connect upper and lower graphic hangers. Slide upper and lower graphic hangers into graphic and hang graphic. Use metal slides to apply slight downward pressure on lower graphic hanger.



Step 10. Attach counter legs to counters using 4 **long** knobs per leg.



Step 11. Attach counters to backwall using 1 **long** knob per counter.



Step 12. Attach wings & headers.



ex.1020.2