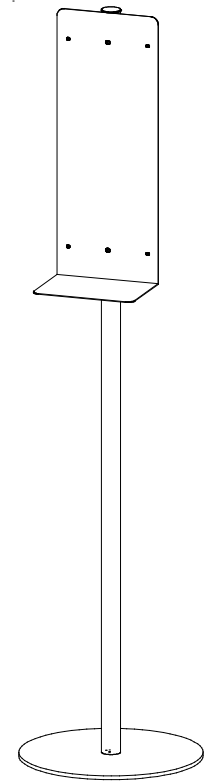
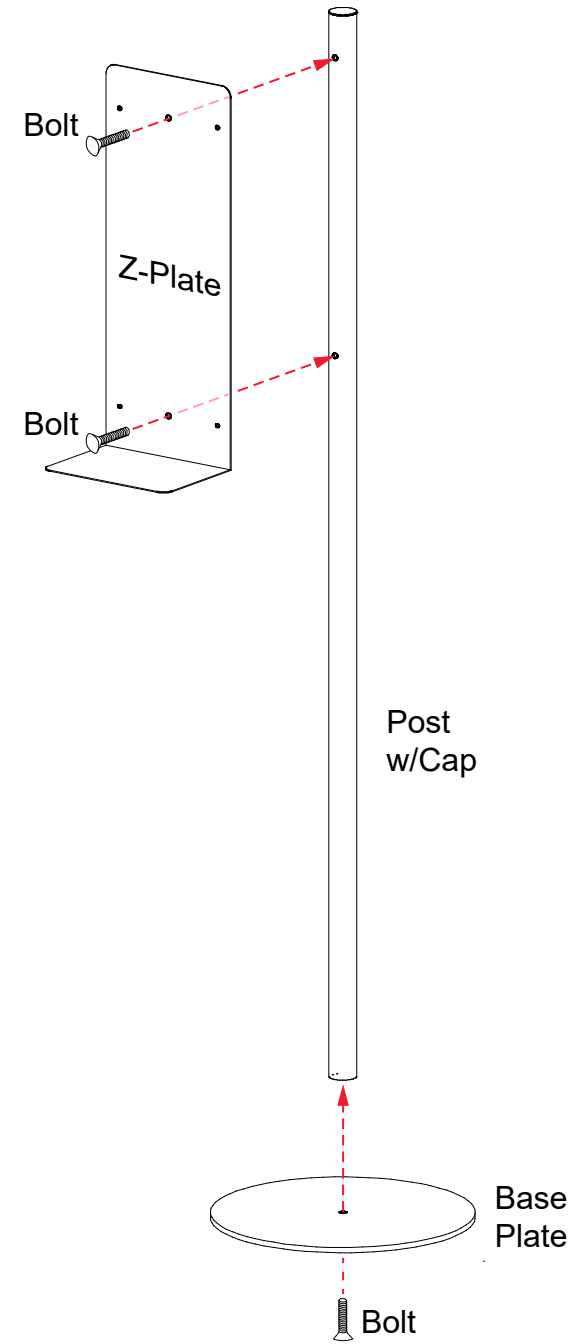


MOD-9004 Hand Sanitizer Stand

Steps:

- 1) Attach base plate to bottom of post, using bolt.
- 2) Connect Z-plate to post, using bolts.

Keep Z-plate attached to post, when packing.



Completed Assembly

SETUP INSTRUCTIONS

General Information

General Setup Instructions

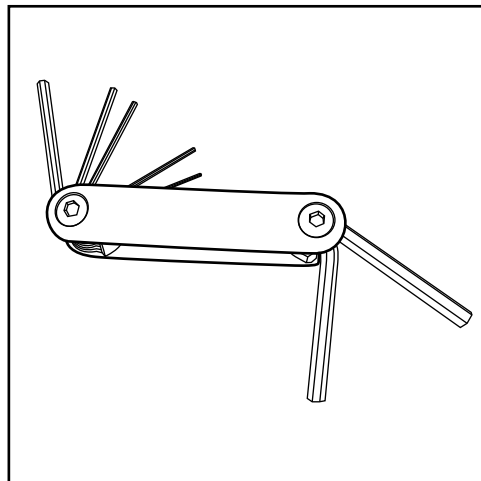
- Read entire setup instruction manual prior to unpacking parts and pieces.
- The setup instructions are created specifically for this configuration.
- Setup instructions are laid out sequentially in steps, including exploded views with detailed explanation for assembly.

Cleaning & Packing

- For Cleaning Metal, Plex, & Laminate Parts: Use a **MILD NON-ABRASIVE** cleanser and soft cloth/paper towel to clean all surfaces.
- Keep exhibit components away from heat and prolonged sun exposure.
Heat and UV exposure will warp and fade components.
- Retain all provided Packing Materials. All provided packing materials are for ease of repacking & component protection.

Disassembly

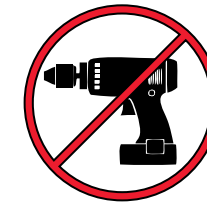
- For loss prevention, tighten all set screws and locks during disassembly.



Hex Tool - Essential for Assembly



WARNING



DO NOT USE POWER TOOLS



ALL CONNECTIONS MUST BE TIGHTLY SECURED



DO NOT USE SCREWS THAT ARE STRIPPED