

MOD-9002 Hand Sanitizer Stand with Graphic

Steps:

- 1) Attach base plate to bottom of post, using bolt.
- 2) Slide assembled header frame, over connector, on top of post.
- 3) Attach graphic to clamps. See A10 Clamp detail.

Header Frame Assembly

12.52" extrusion

15" extrusion

Graphic Infill

15" extrusion

12.52" extrusion

10" extrusion

1) Attach frame pieces together, as shown, with graphic infill between.

2) Attach vertical to bottom of assembled frame.
Header frame stays assembled, when packing.

Header Frame

Connector

Z-Plate

Post

Graphic

Base Plate

Bolt

Header Frame

Connector

Z-Plate

Slide header frame, over connector, on top of Z-plate.

A10 Clamp

Tighten knob to secure graphic into clamps.

Keep connectors, clamps, and Z-plate attached to post, when packing.

Completed Assembly

SETUP INSTRUCTIONS

General Information

General Setup Instructions

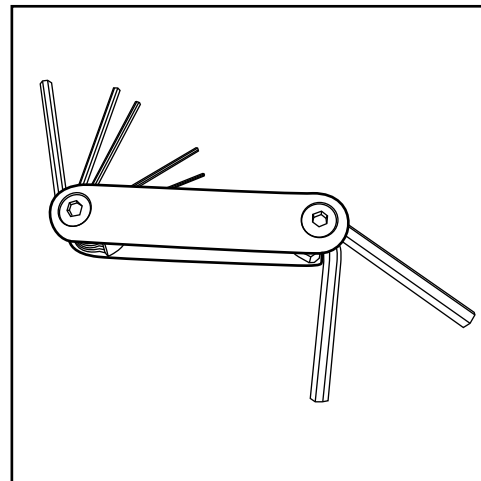
- Read entire setup instruction manual prior to unpacking parts and pieces.
- The setup instructions are created specifically for this configuration.
- Setup instructions are laid out sequentially in steps, including exploded views with detailed explanation for assembly.

Cleaning & Packing

- For Cleaning Metal, Plex, & Laminate Parts: Use a **MILD NON-ABRASIVE** cleanser and soft cloth/paper towel to clean all surfaces.
- Keep exhibit components away from heat and prolonged sun exposure.
Heat and UV exposure will warp and fade components.
- Retain all provided Packing Materials. All provided packing materials are for ease of repacking & component protection.

Disassembly

- For loss prevention, tighten all set screws and locks during disassembly.



Hex Tool - Essential for Assembly



WARNING



DO NOT USE POWER TOOLS



ALL CONNECTIONS MUST BE TIGHTLY SECURED



DO NOT USE SCREWS THAT ARE STRIPPED