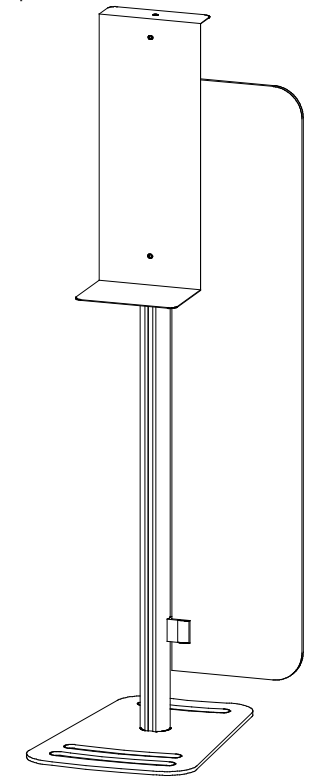
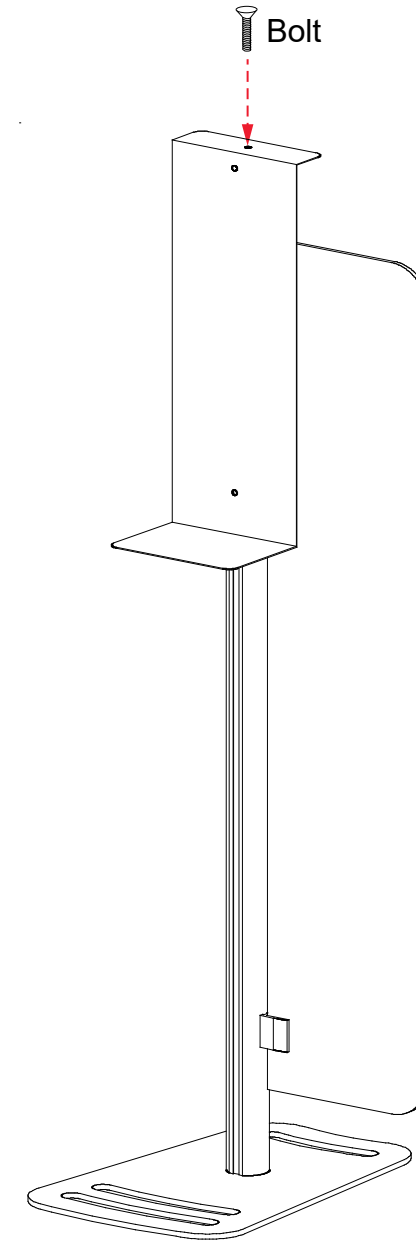
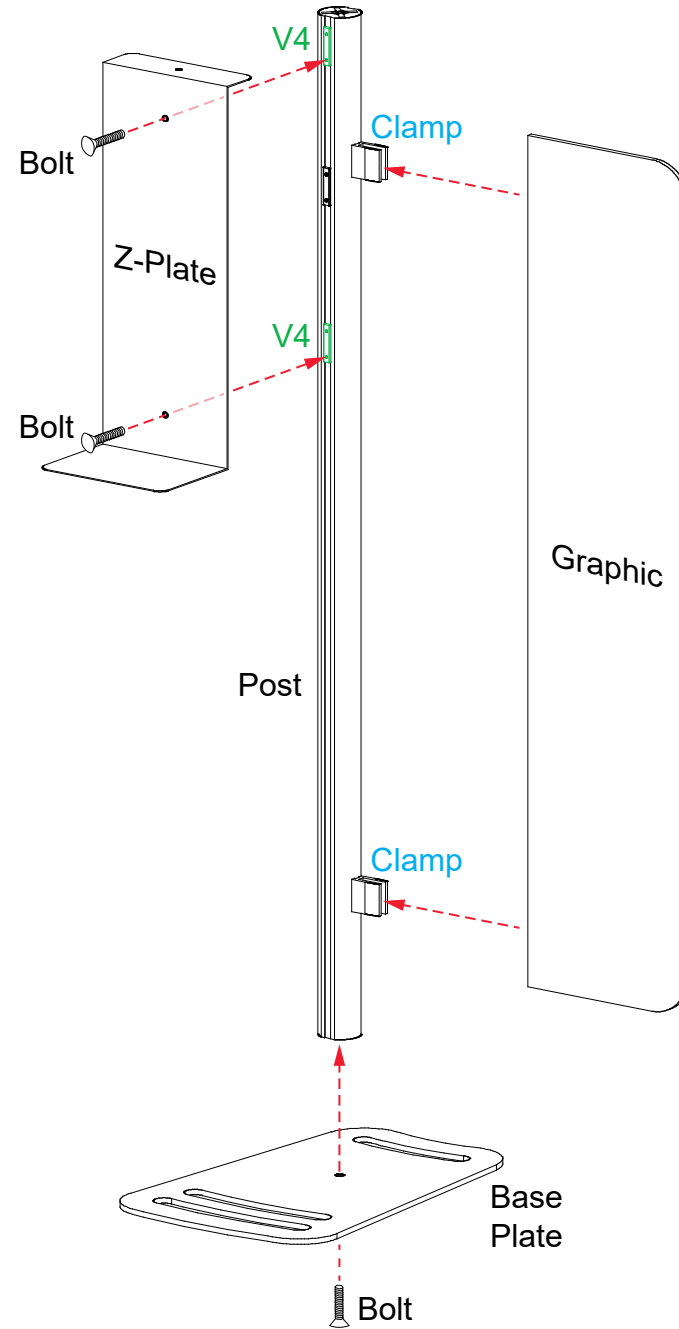
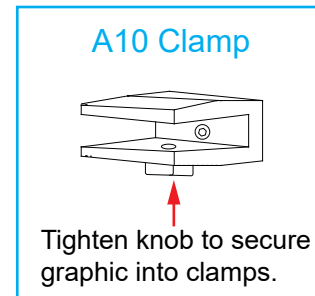
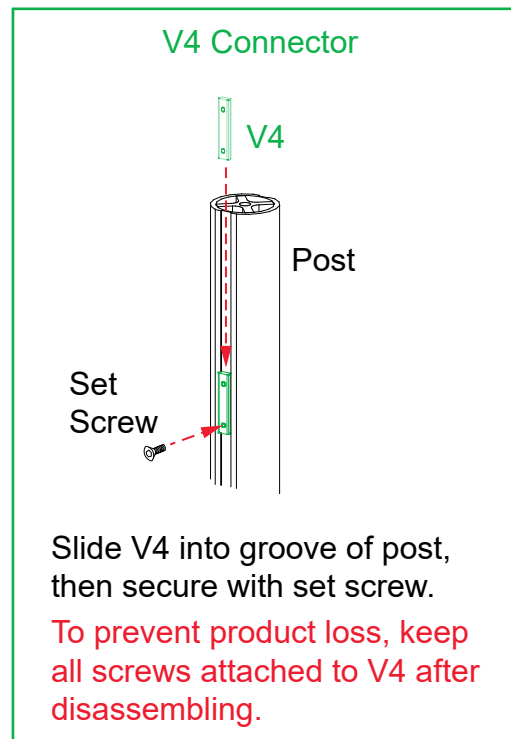


### MOD-9001 Hand Sanitizer Stand with Graphic

Steps:

- 1) Attach base plate to bottom of post, using bolt.
- 2) Connect Z-plate to connectors on post, using bolts.  
See **V4 Connector** detail.
- 3) Attach graphic to clamps. See **A10 Clamp** detail.
- 4) Attach Z-plate to top of post, using bolt.

Keep connectors, clamps, and Z-plate attached to post, when packing.



# SETUP INSTRUCTIONS

## General Setup Instructions

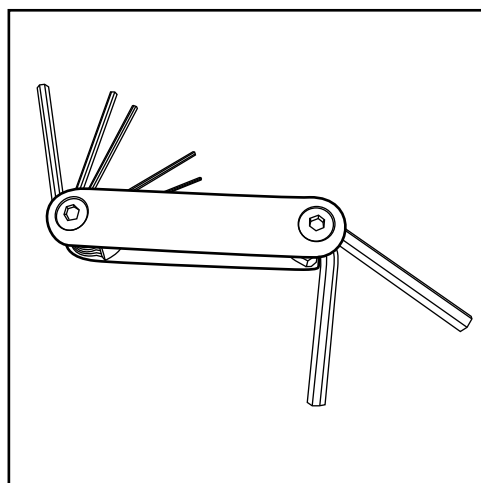
- Read entire setup instruction manual prior to unpacking parts and pieces.
- The setup instructions are created specifically for this configuration.
- Setup instructions are laid out sequentially in steps, including exploded views with detailed explanation for assembly.

## Cleaning & Packing

- For Cleaning Metal, Plex, & Laminate Parts: Use a **MILD NON-ABRASIVE** cleanser and soft cloth/paper towel to clean all surfaces.
- Keep exhibit components away from heat and prolonged sun exposure.  
**Heat and UV exposure will warp and fade components.**
- Retain all provided Packing Materials. All provided packing materials are for ease of repacking & component protection.

## Disassembly

- For loss prevention, tighten all set screws and locks during disassembly.



Hex Tool - Essential for Assembly



# WARNING



DO NOT USE POWER TOOLS



ALL CONNECTIONS MUST BE TIGHTLY SECURED



DO NOT USE SCREWS THAT ARE STRIPPED