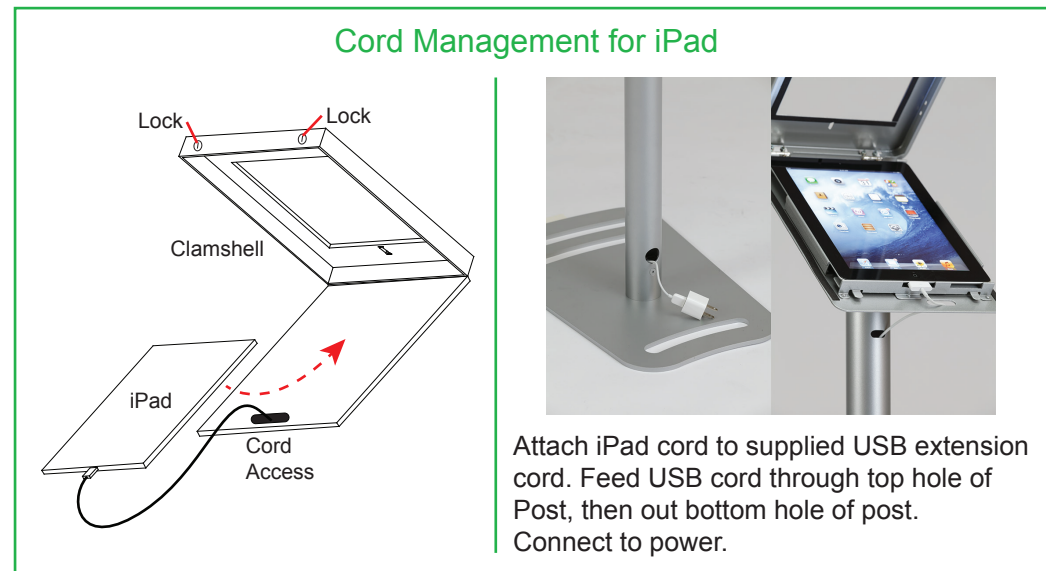
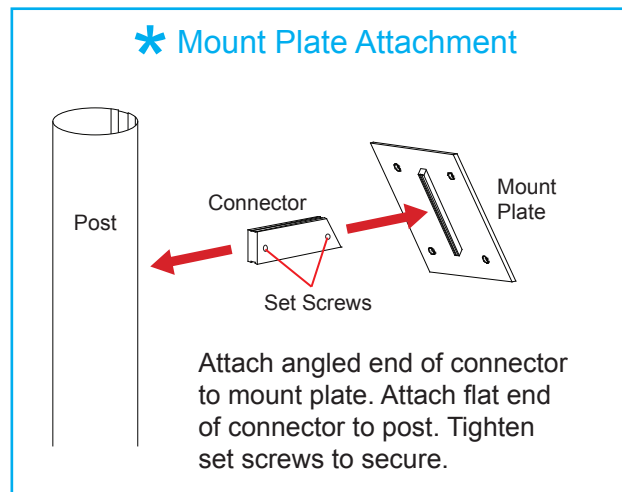
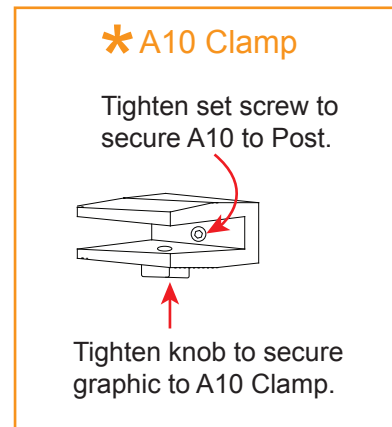
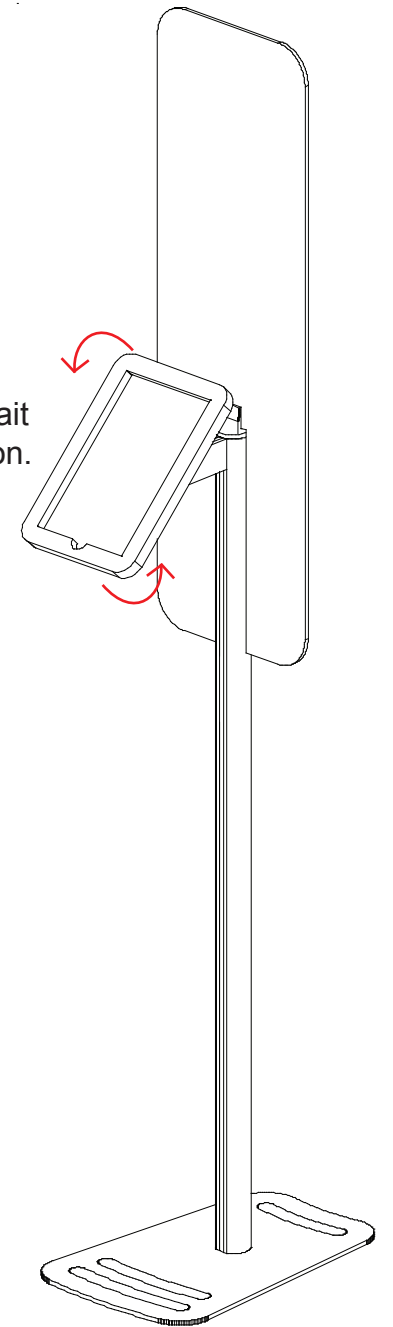


Steps:

- 1) Attach base plate to post, using bolt.
- 2) Attach mount plate to post. See [Mount Plate Attachment](#) detail.
- 3) Attach clamshell to mount plate, using hex nuts.
- 4) Insert iPad into clamshell and feed cord through holes. See [Cord Management for iPad](#) detail.
- 5) Attach graphic to clamp on top of post. See [A10 Clamp](#) detail.



Rotate clamshell to turn iPad from portrait to landscape orientation.



Completed Assembly

# SETUP INSTRUCTIONS

## General Setup Instructions

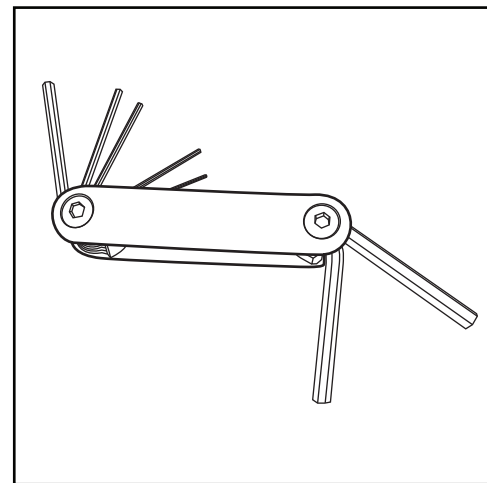
- Read entire setup instruction manual prior to unpacking parts and pieces.
- The setup instructions are created specifically for this configuration.
- Setup instructions are laid out sequentially in steps, including exploded views with detailed explanation for assembly.

## Cleaning & Packing

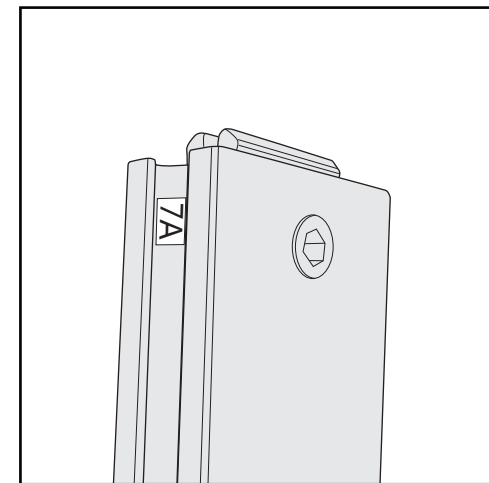
- For Cleaning Metal, Plex, & Laminate Parts: Use a **MILD NON-ABRASIVE** cleanser and soft cloth/paper towel to clean all surfaces.
- Keep exhibit components away from heat and prolonged sun exposure.  
**Heat and UV exposure will warp and fade components.**
- Retain all provided Packing Materials. All provided packing materials are for ease of repacking & component protection.

## Disassembly

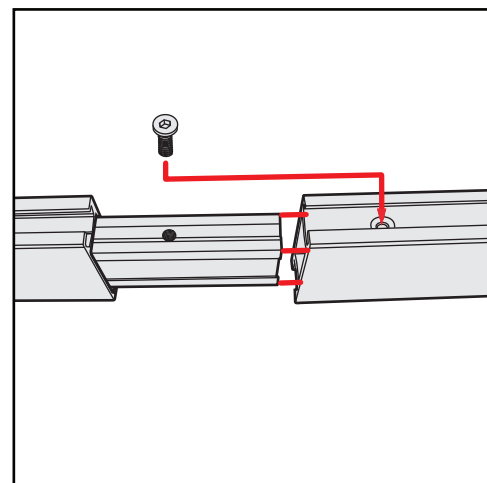
- For loss prevention, tighten all setscrews and locks during disassembly



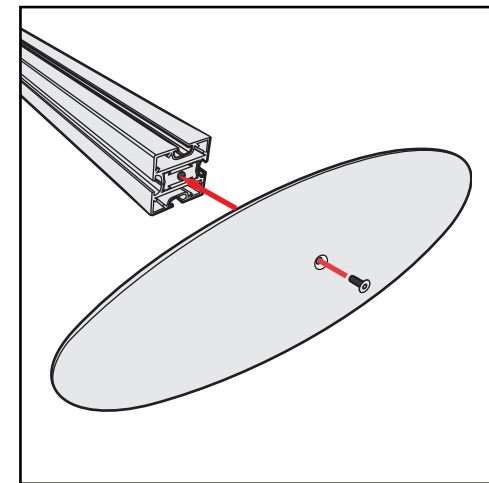
Hex Tool - Essential for Assembly



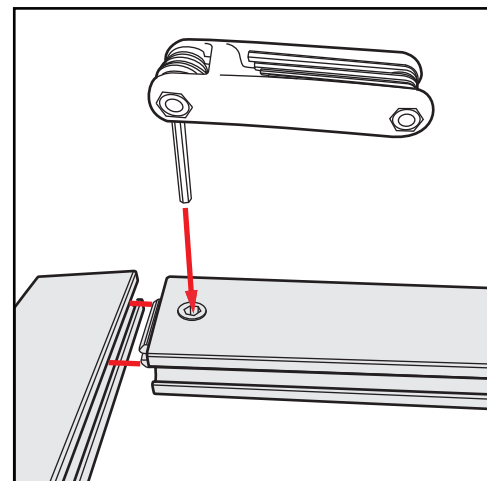
Part Identification - Numbering



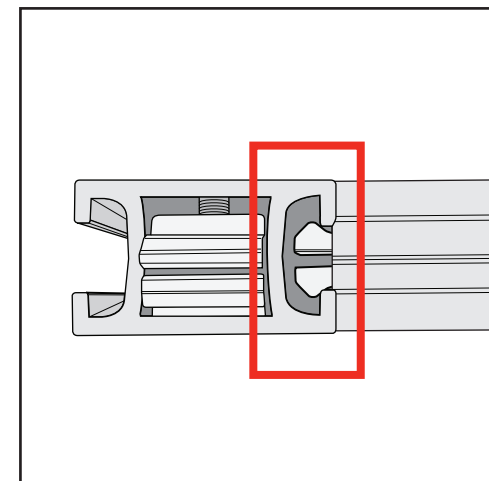
Spline Connection



Base Plate &amp; Extrusion Connection



Extrusion &amp; Lock Connection



Engaged Lock



# WARNING



DO NOT USE POWER TOOLS



LADDERS OR LIFTS  
MAY BE REQUIRED



ALL CONNECTIONS MUST  
BE TIGHTLY SECURED