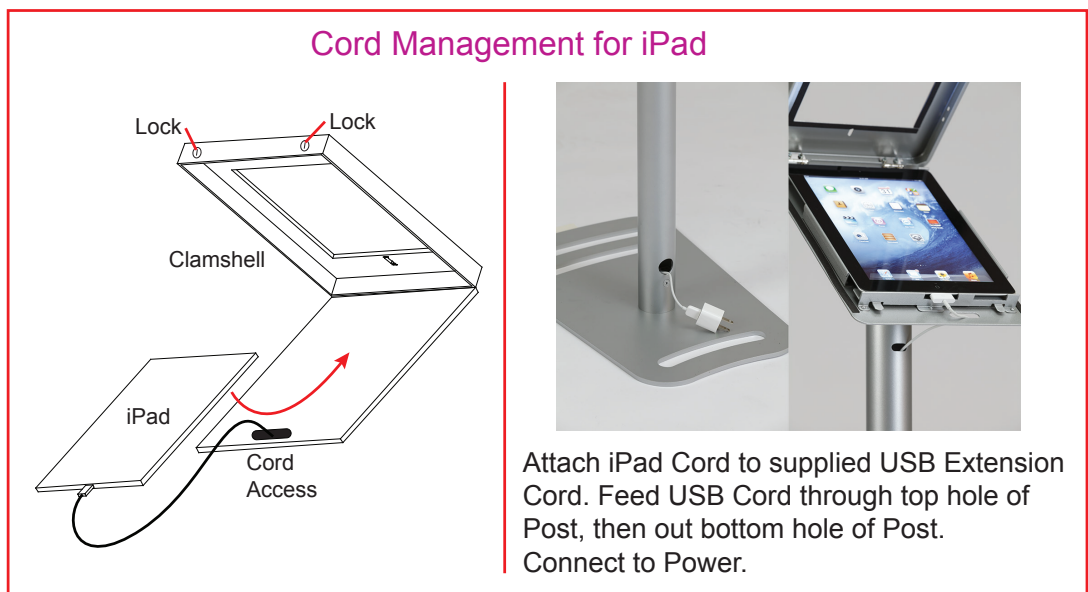
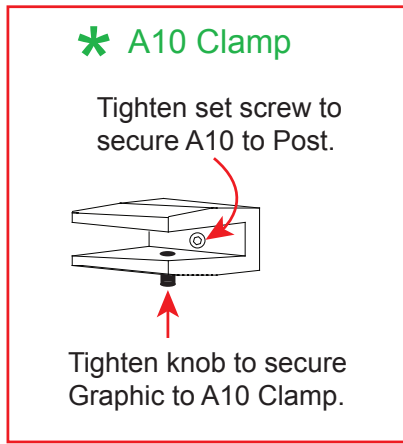
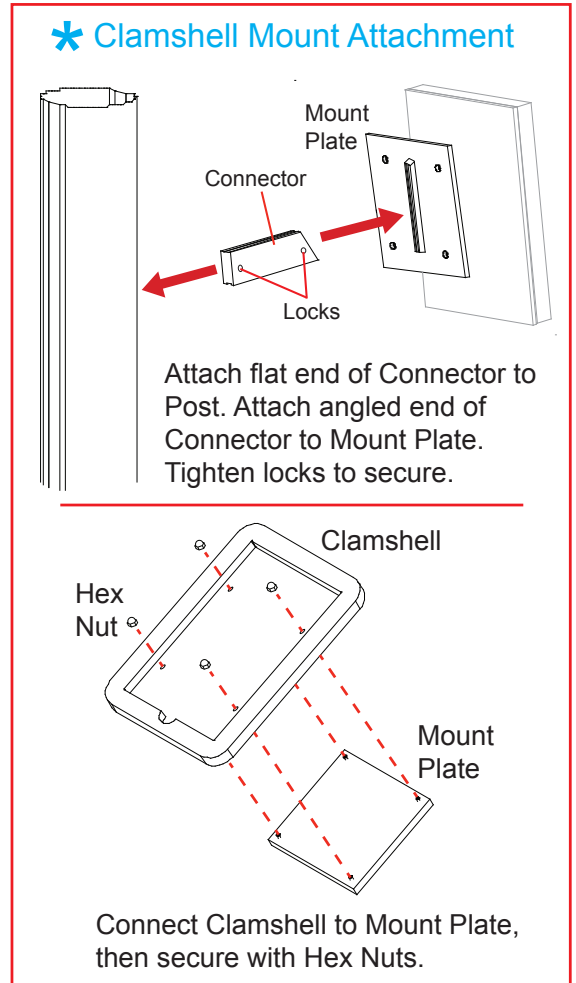
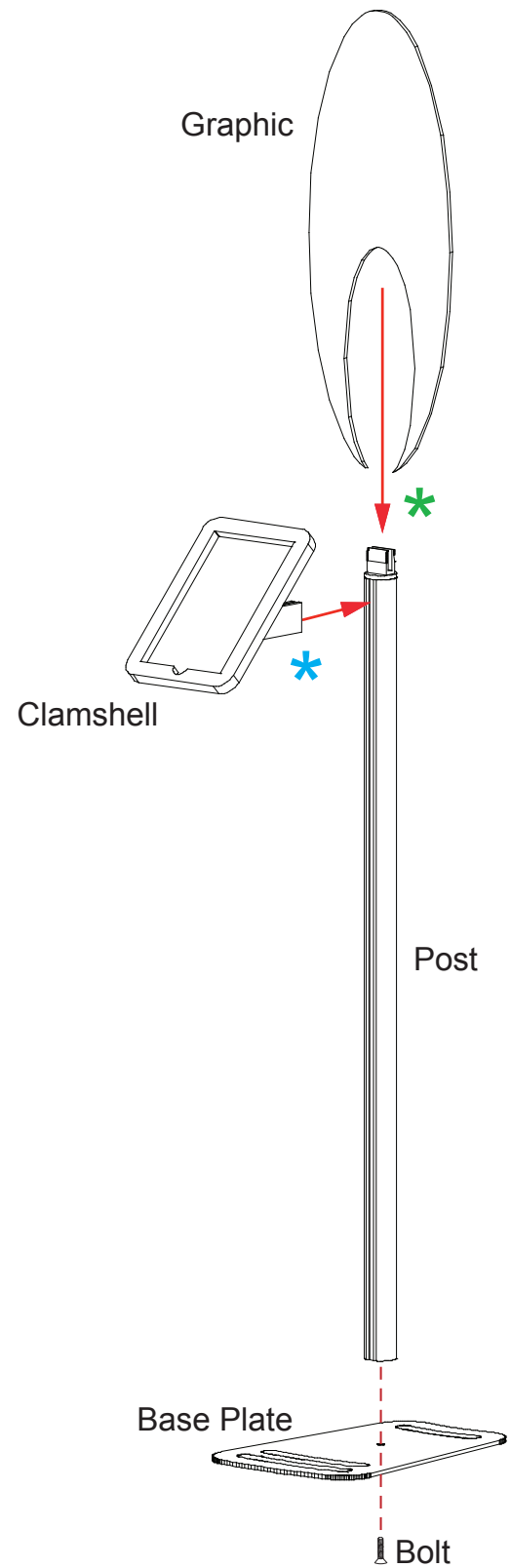


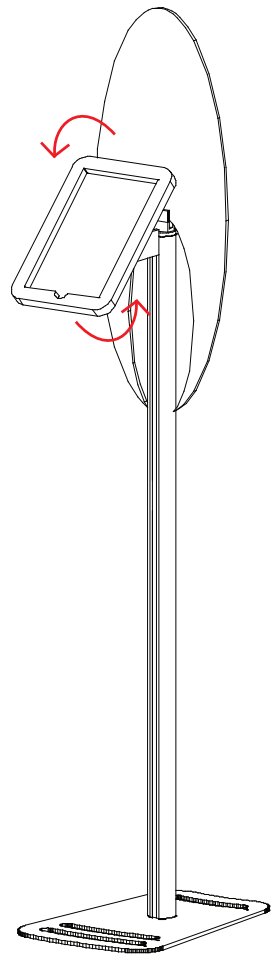
MOD-1368 iPad Kiosk Assembly

Steps:

- 1) Attach base plate to post, using bolt.
- 2) Attach clamshell to post. See [Clamshell Mount Attachment](#) detail.
- 3) Insert iPad into clamshell and feed cords through holes. See [Cord Management for iPad](#) detail.
- 4) Attach graphic to A-10 clamp on top of post. See [A10 Clamp](#) detail.



Rotate Clamshell to turn iPad from portrait to landscape orientation.



Completed Assembly

SETUP INSTRUCTIONS

General Information

General Setup Instructions

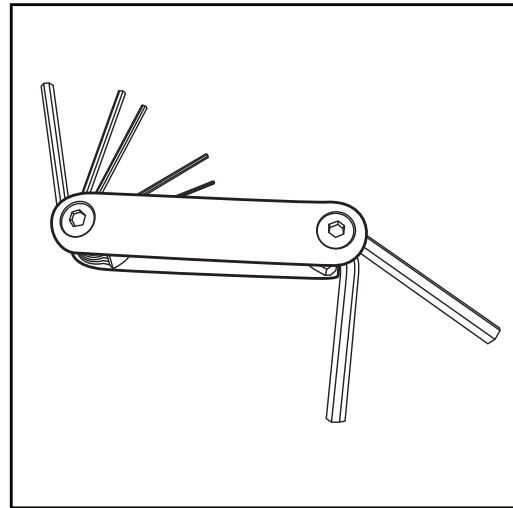
- Read entire setup instruction manual prior to unpacking parts and pieces.
- The setup instructions are created specifically for this configuration.
- Setup instructions are laid out sequentially in steps, including exploded views with detailed explanation for assembly.

Cleaning & Packing

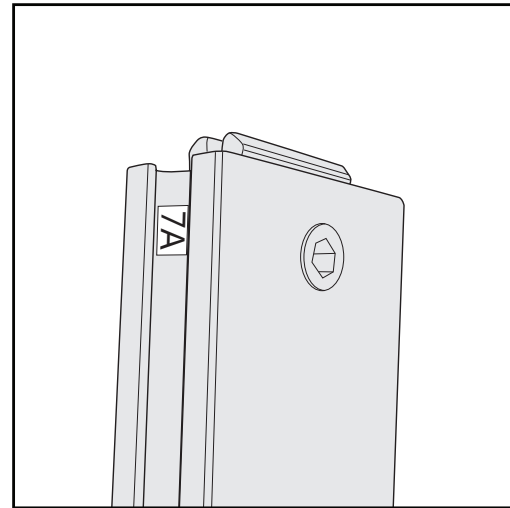
- For Cleaning Metal, Plex, & Laminate Parts: Use a **MILD NON-ABRASIVE** cleanser and soft cloth/paper towel to clean all surfaces.
- Keep exhibit components away from heat and prolonged sun exposure. **Heat and UV exposure will warp and fade components.**
- Retain all provided Packing Materials. All provided packing materials are for ease of repacking & component protection.

Disassembly

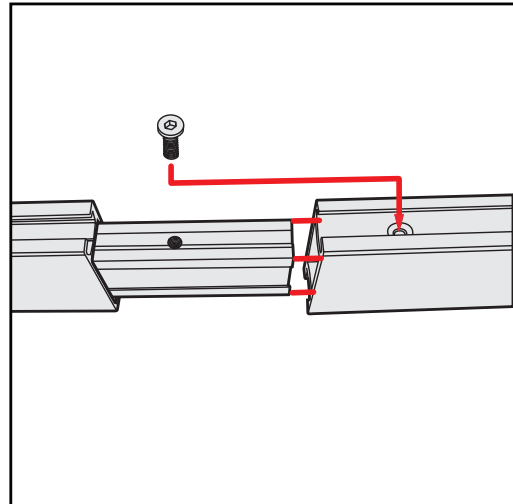
- For loss prevention, tighten all setscrews and locks during disassembly



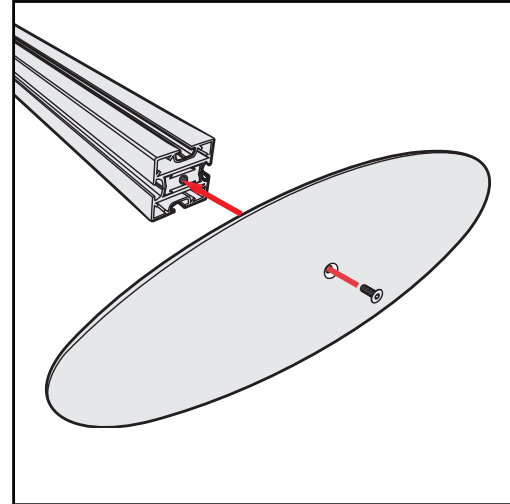
Hex Tool - Essential for Assembly



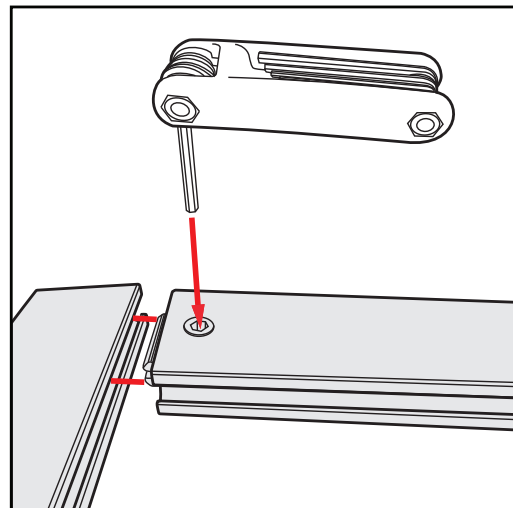
Part Identification - Numbering



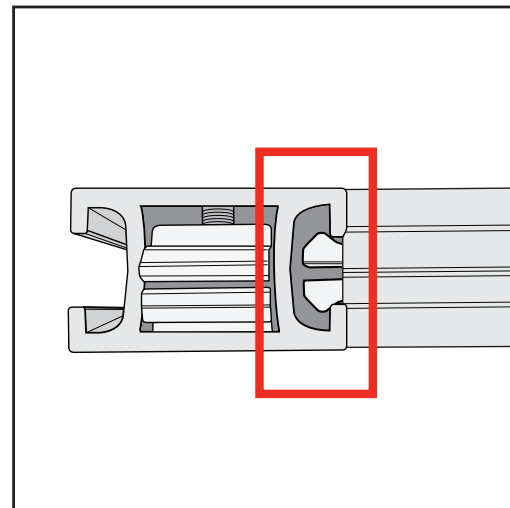
Spline Connection



Base Plate & Extrusion Connection



Extrusion & Lock Connection



Engaged Lock



WARNING



DO NOT USE POWER TOOLS



LADDERS OR LIFTS MAY BE REQUIRED



ALL CONNECTIONS MUST BE TIGHTLY SECURED