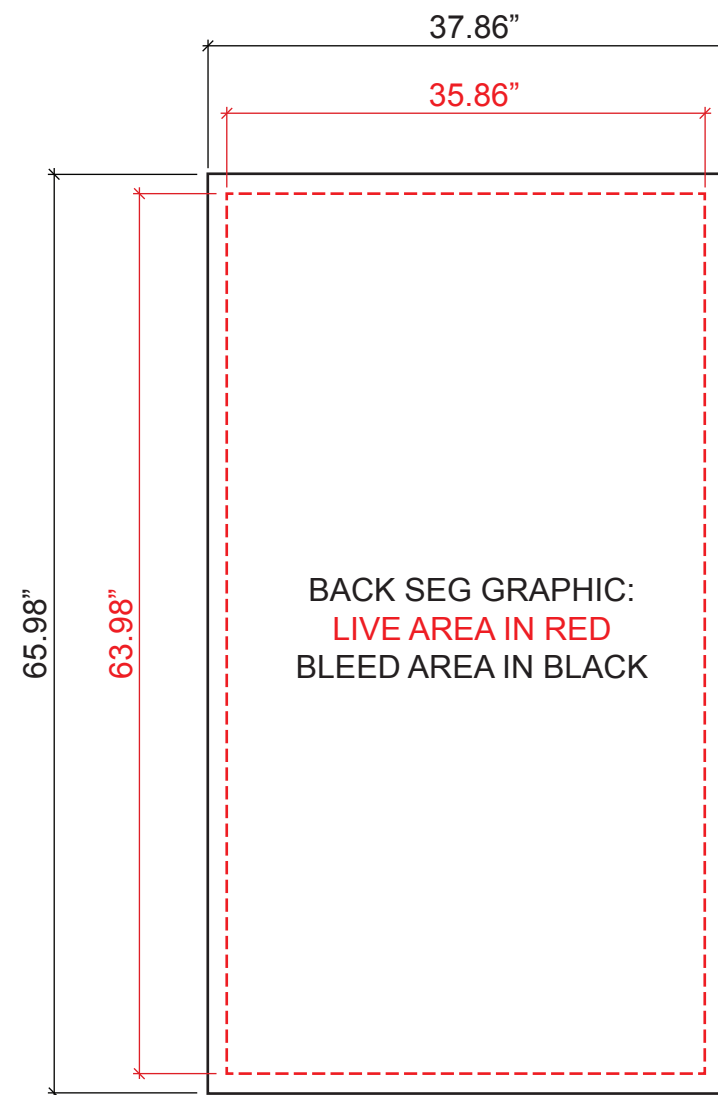
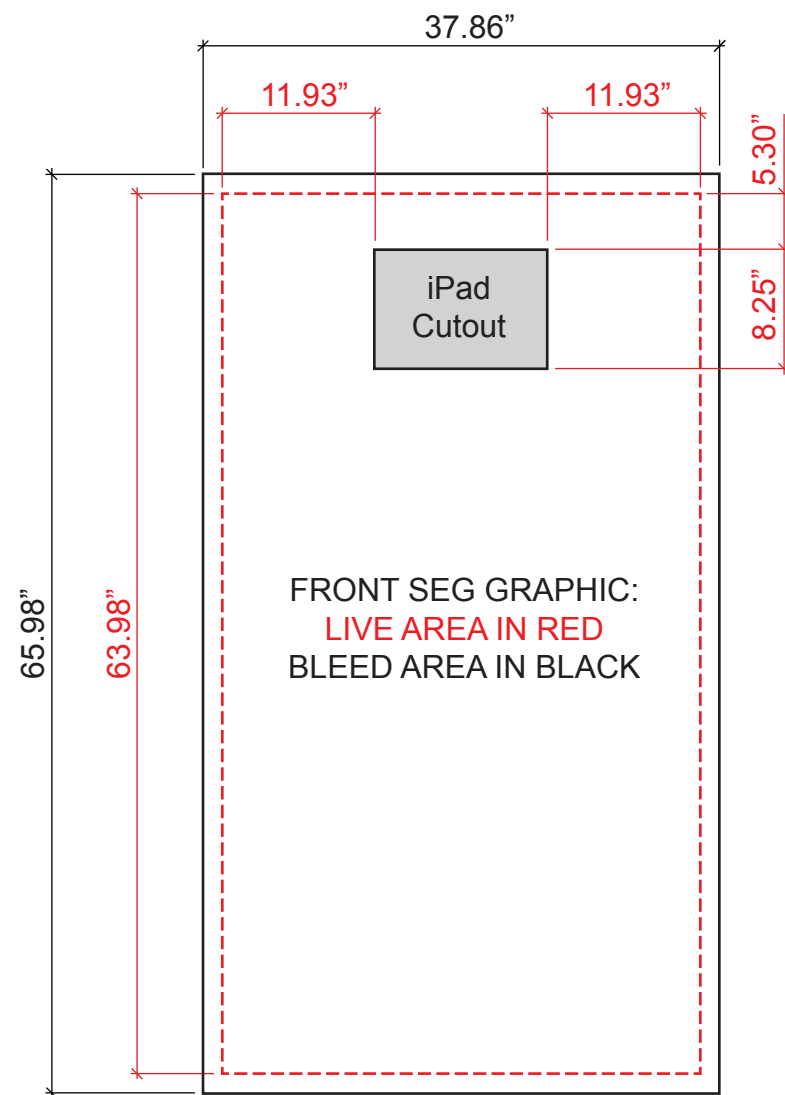
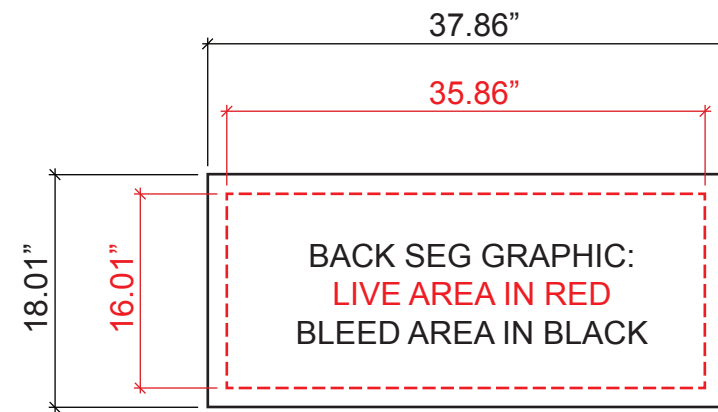
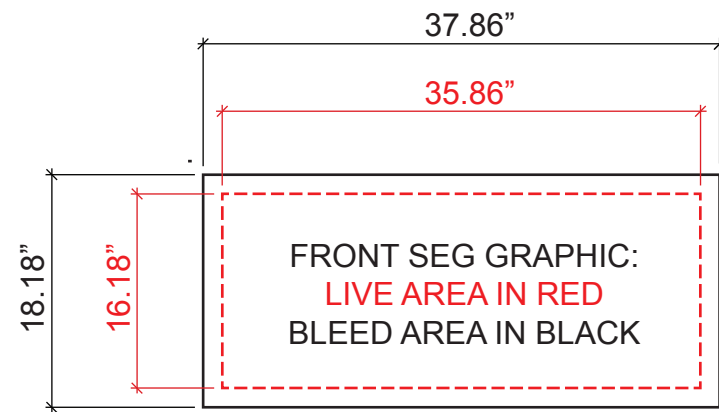
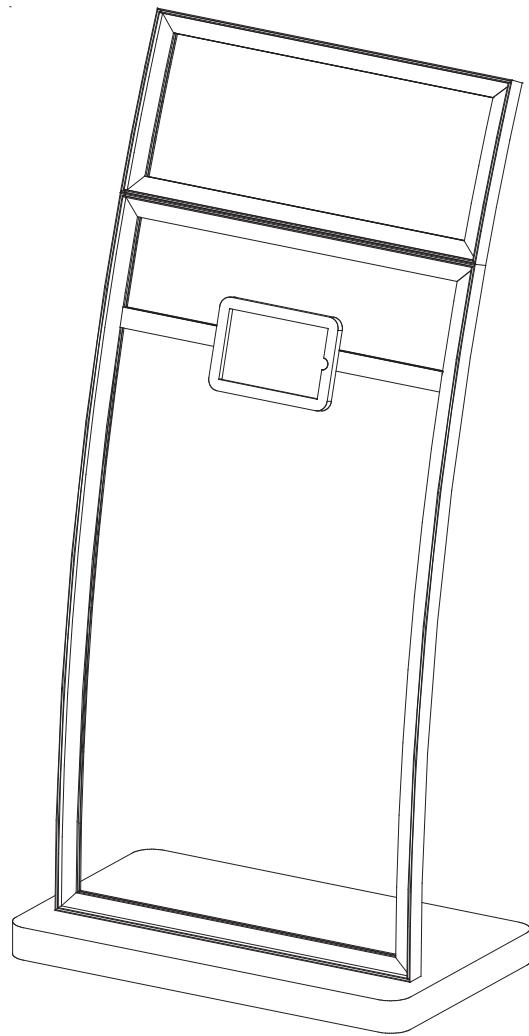


Product Name: MOD-1362
Process: 4K
Material: SEG Backlit Fabric
Effective Date: 4/12/2018
Drawn By: Kim G.



NOTE: Graphic files must be @ 150 dpi Finished Size.  
DO NOT send flattened files. Production can not manipulate the content, proportion, or color of these files.

NOTE: These dimensions are for graphic layout purposes.  
Graphic needs to be cut and test fitted to Sacagawea frame.