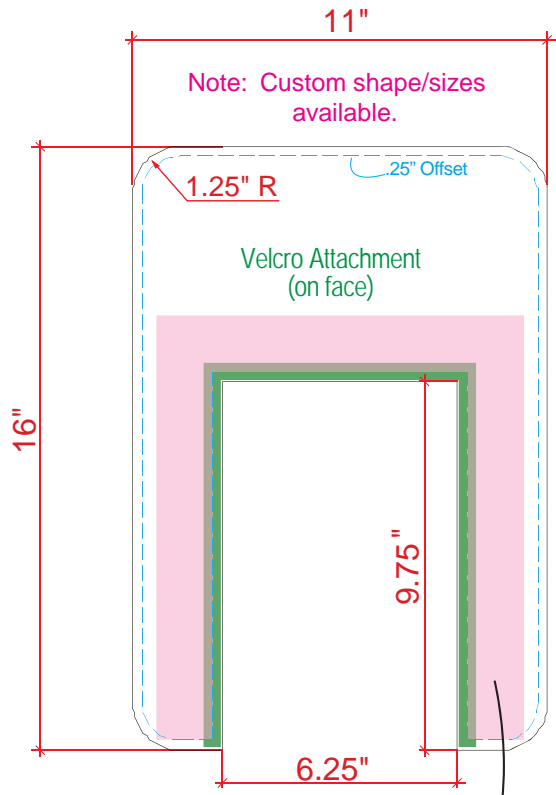


Product Name: MOD-1355
Process: HD
Material: 1/8" Sintra
Effective Date: 8.20.2013

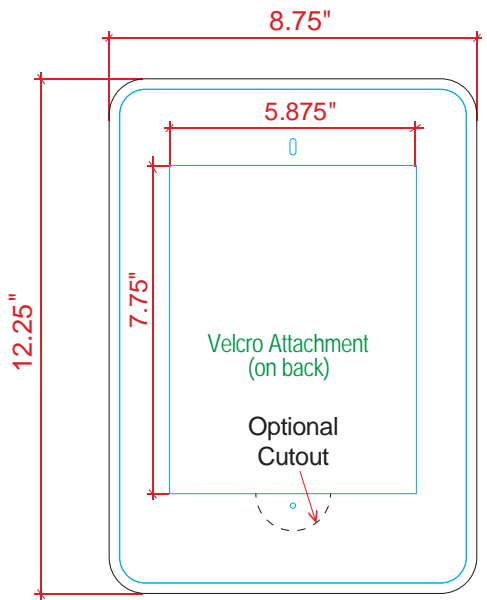
iPad Kiosk Halo



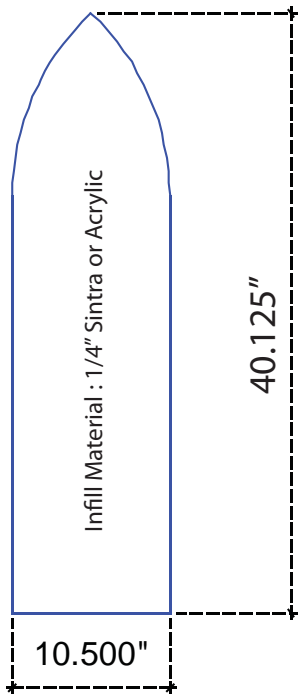
Print Size: 11"w x 16"h
 Final/Live Area: 10.5"w x 15.5"h

This is hidden behind clamshell (1.5" thick).

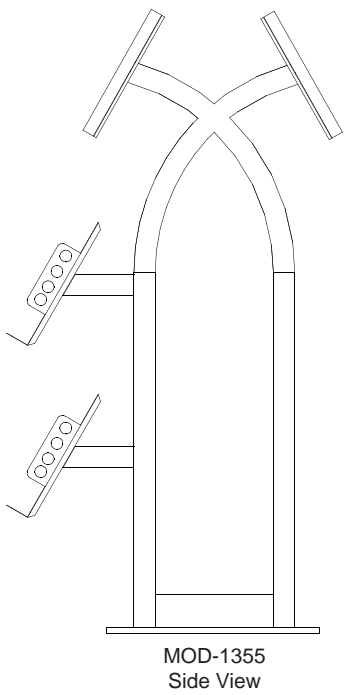
iPad Kiosk Face Plate Graphic



Print Size: 8.75"w x 12.25"h
 Final/Live Area: 8.25"w x 11.75"h



Double-sided Direct Print on InFill on 1/4"



NOTE: Graphic files must be @ 150 dpi Finished Size.
 DO NOT send Flattened Files.
 Production can not manipulate the content, proportion or color of these files.

NOTE: These dimensions are for graphic layout purposes.