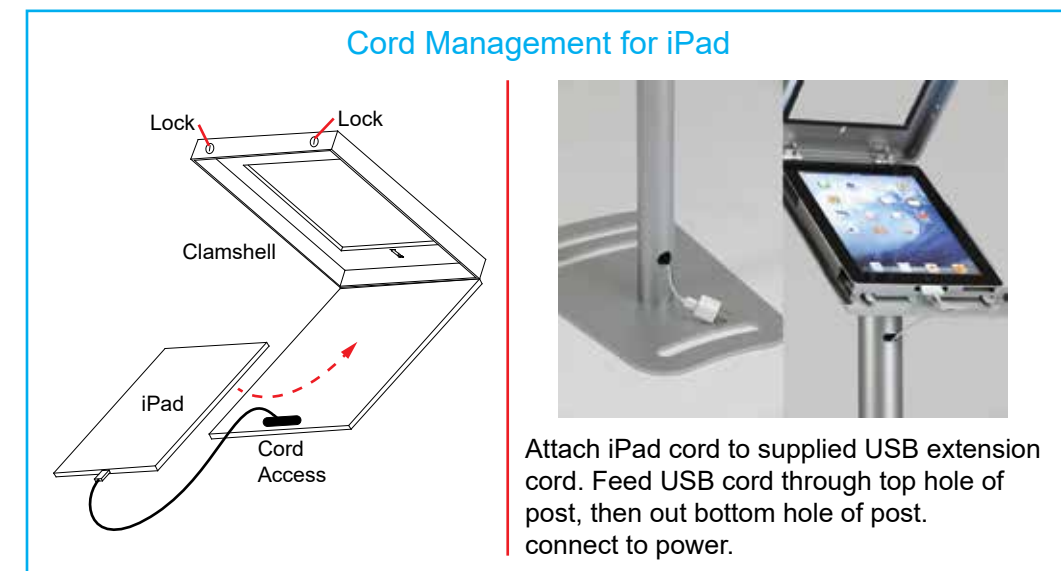
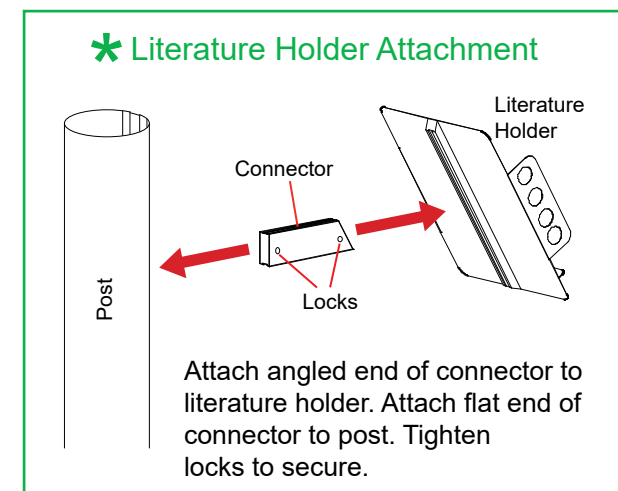
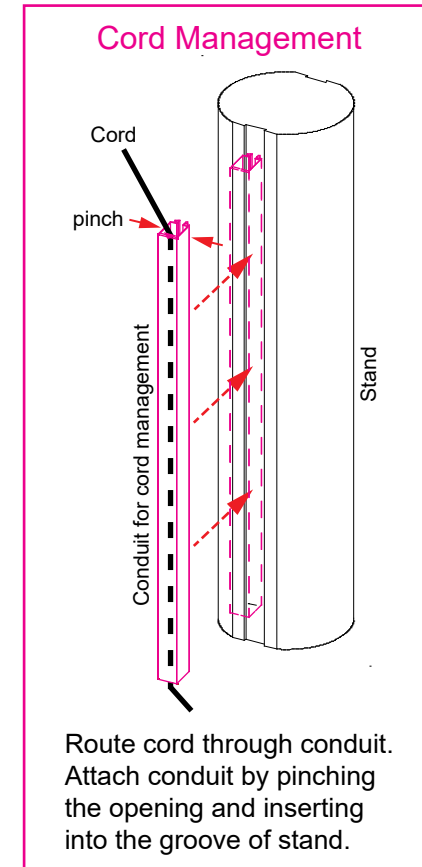
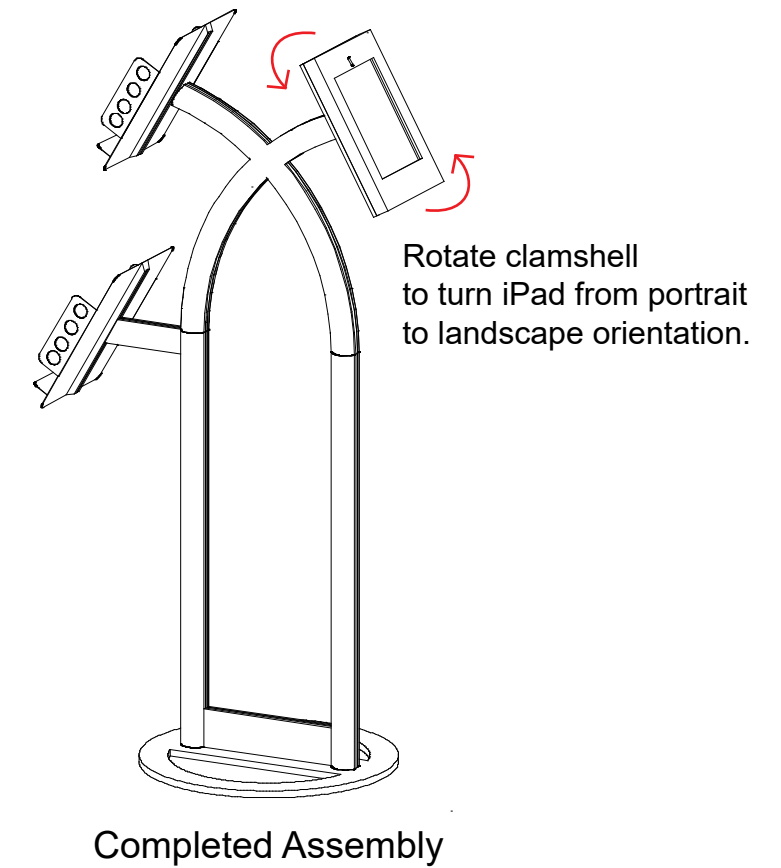
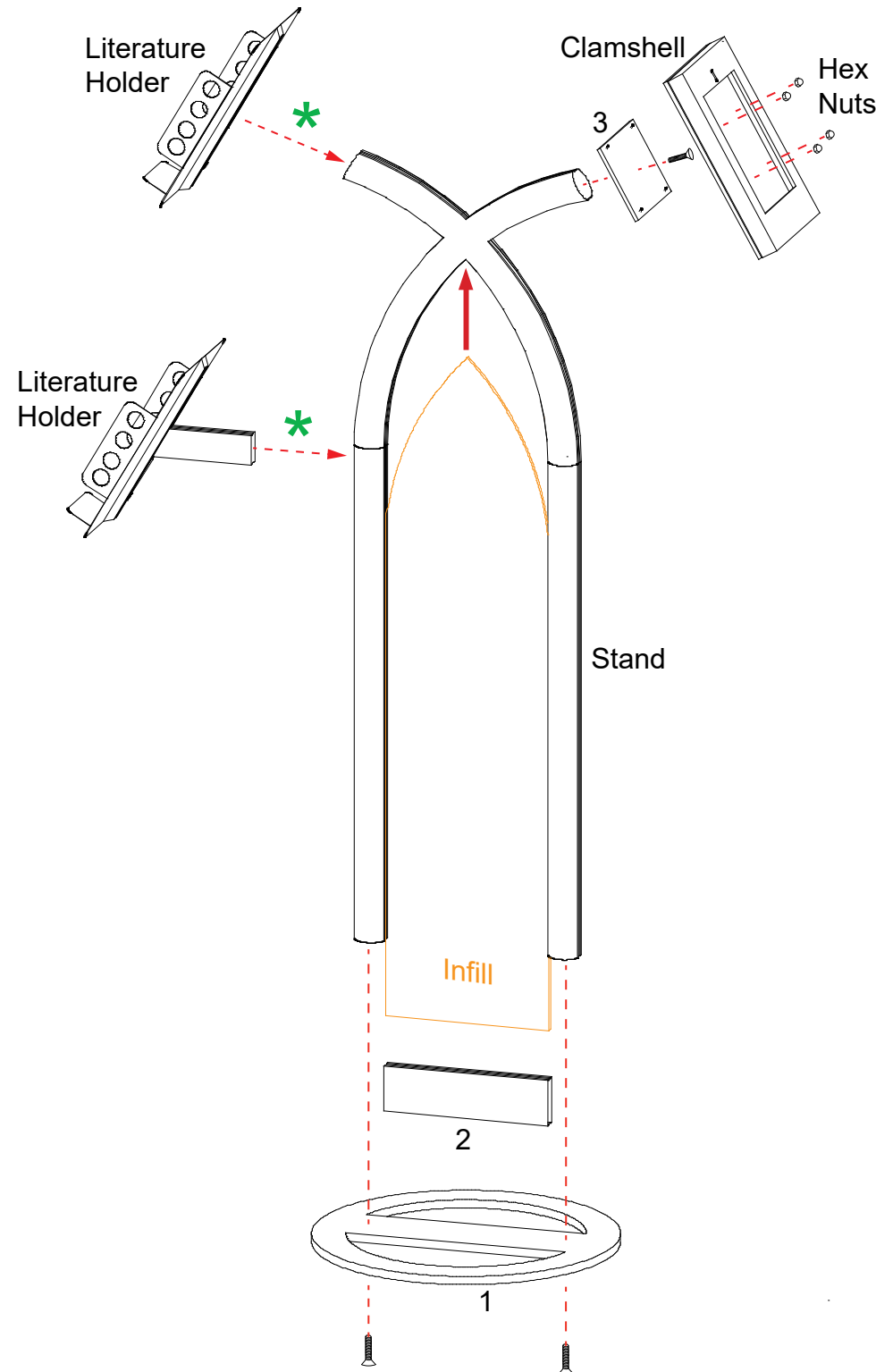


# MOD-1353 iPad Kiosk

Item	Qty.	Description
1	1	Base Plate
2	1	10" Z72 Horizontal Extrusion
3	1	Mount Plate

- Steps:
- 1) Slide **Infill** into stand verticals as shown.
  - 2) Attach horizontal [2] between stand verticals.
  - 3) Attach base plate [1] to stand verticals, using bolts.
  - 4) Attach mount plate [3] to stand, using bolt
  - NOTE: Mount Plate must rotate to left and right before installing Clamshell.**
  - 5) Attach clamshell to mount plate [3], using hex nuts.
  - 6) Insert iPad into clamshell then route cords. See [Cord Management for iPad](#) detail.
  - 7) Attach literature holders to stand. See [Literature Holder Attachment](#) detail.



# SETUP INSTRUCTIONS

## General Setup Instructions

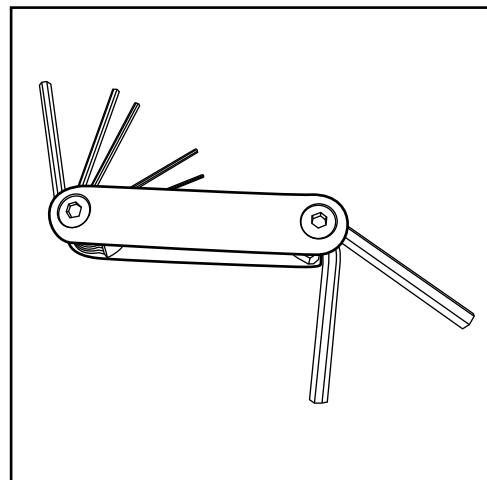
- Read entire setup instruction manual prior to unpacking parts and pieces.
- The setup instructions are created specifically for this configuration.
- Setup instructions are laid out sequentially in steps, including exploded views with detailed explanation for assembly.

## Cleaning & Packing

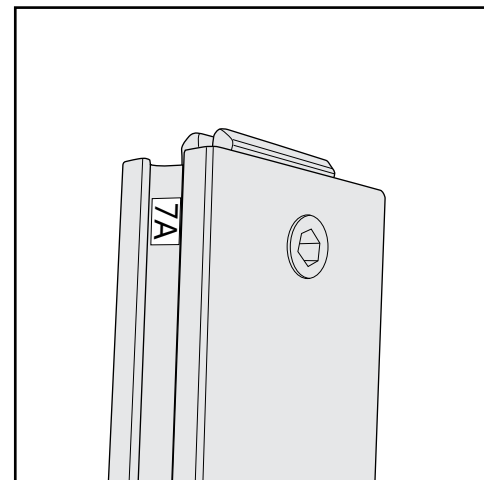
- For Cleaning Metal, Plex, & Laminate Parts: Use a **MILD NON-ABRASIVE** cleanser and soft cloth/paper towel to clean all surfaces.
- Keep exhibit components away from heat and prolonged sun exposure.  
**Heat and UV exposure will warp and fade components.**
- Retain all provided Packing Materials. All provided packing materials are for ease of repacking & component protection.

## Disassembly

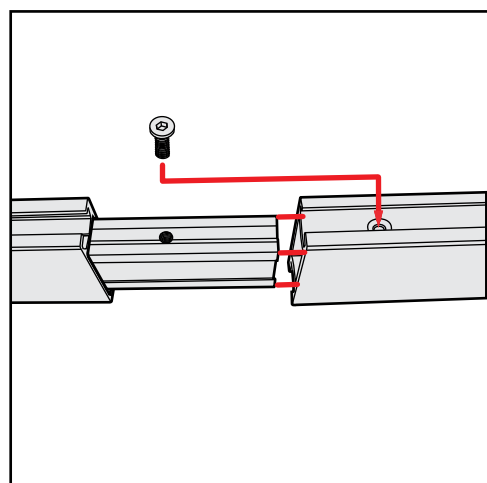
- For loss prevention, tighten all set screws and locks during disassembly.



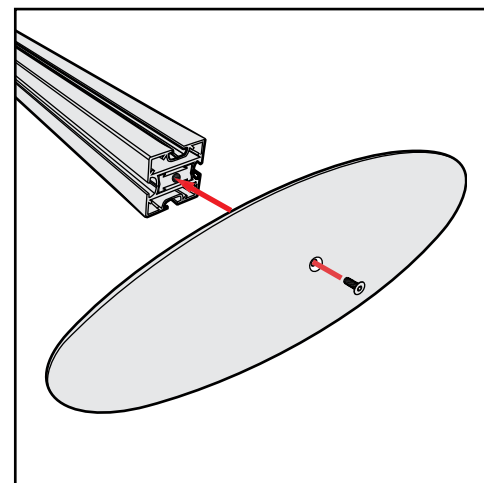
Hex Tool - Essential for Assembly



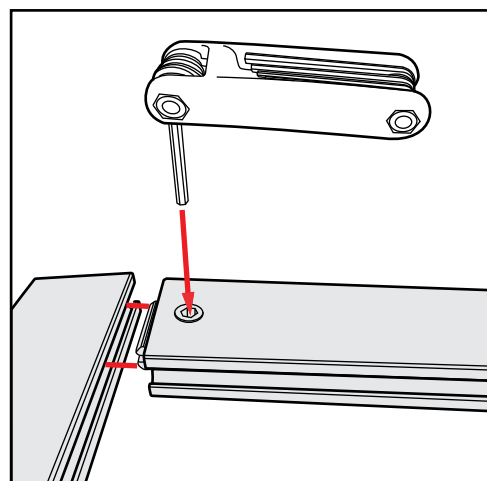
Part Identification - Numbering



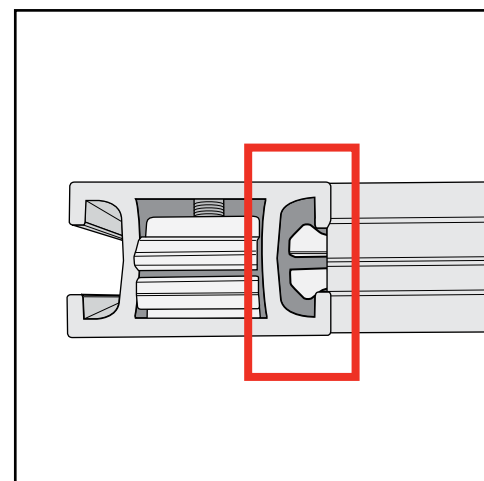
Spline Connection



Base Plate &amp; Extrusion Connection



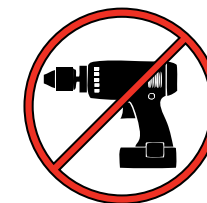
Extrusion &amp; Lock Connection



Engaged Lock



# WARNING



DO NOT USE POWER TOOLS

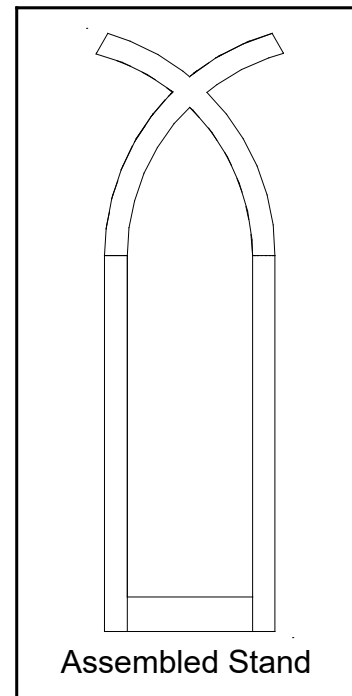


LADDERS OR LIFTS  
MAY BE REQUIRED

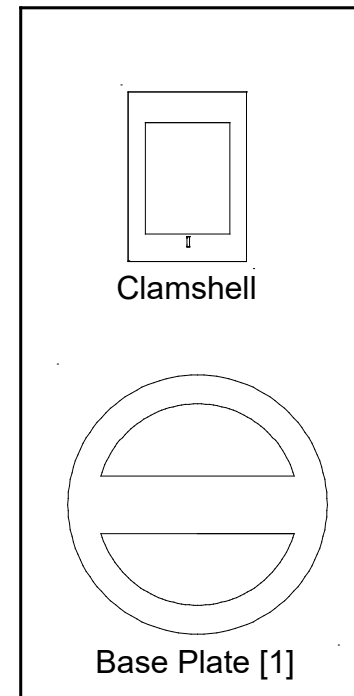


ALL CONNECTIONS MUST  
BE TIGHTLY SECURED

## Top View of Each Level



Level 1  
*(Bottom level)*



Level 2

Setup Hardware  
Literature Holders