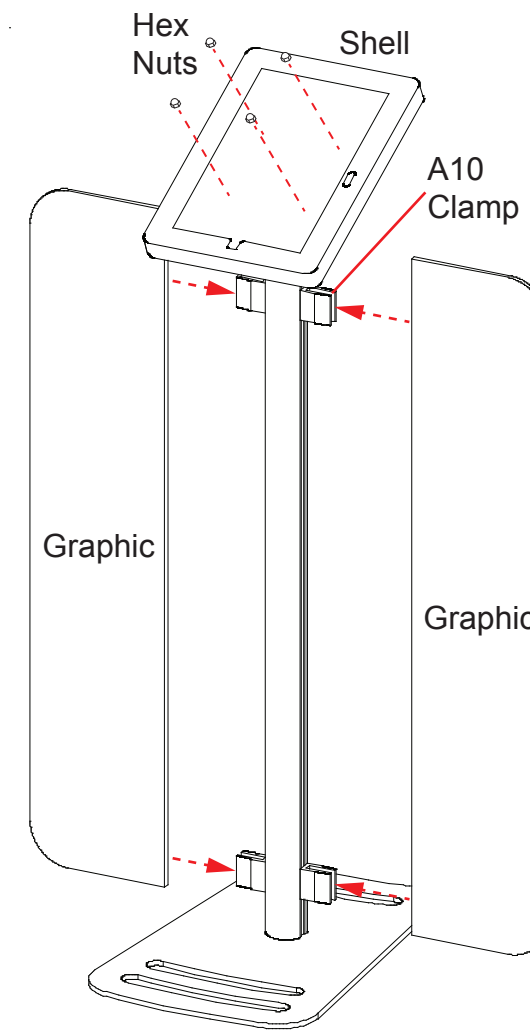
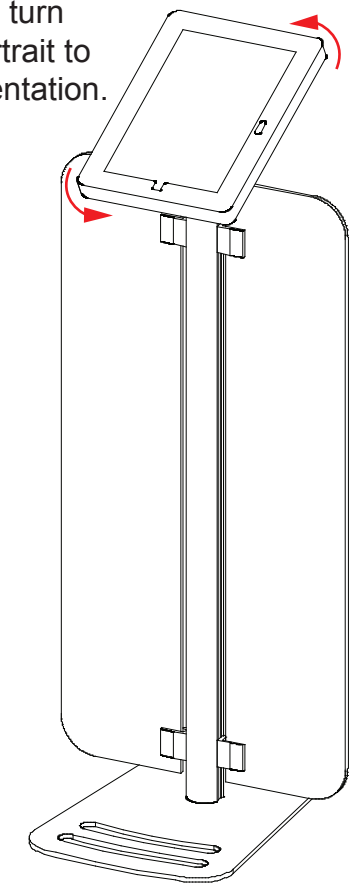


**Steps:**

- 1) Attach base to post, using bolt.
- 2) Attach plate to post, using bolt.
- NOTE: Plate must rotate left and right, before installing shell.*
- 3) Attach shell to plate, using hex nuts.
- 4) Attach graphics to A10 clamps. See **Clamp Attachment** detail.
- 5) Insert tablet in shell and feed cords through holes in post. See **Cord Management For Tablet** detail.



Rotate shell to turn tablet from portrait to landscape orientation.



Completed Assembly

## General Setup Instructions

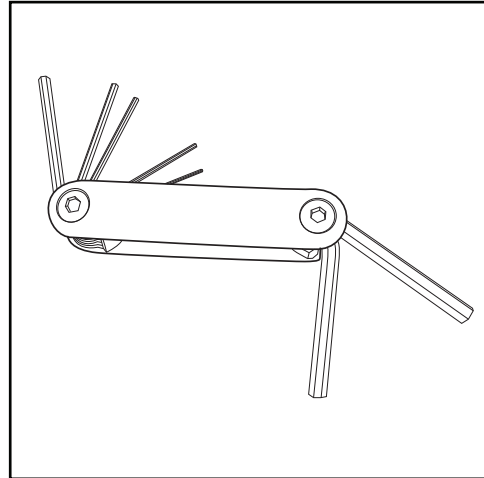
- Read entire setup instruction manual prior to unpacking parts and pieces.
- The setup instructions are created specifically for this configuration.
- Setup instructions are laid out sequentially in steps, including exploded views with detailed explanation for assembly.

## Cleaning & Packing

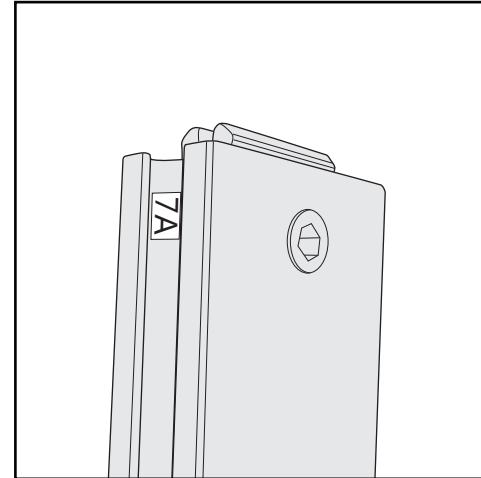
- For Cleaning Metal, Plex, & Laminate Parts: Use a **MILD NON-ABRASIVE** cleanser and soft cloth/paper towel to clean all surfaces.
- Keep exhibit components away from heat and prolonged sun exposure. **Heat and UV exposure will warp and fade components.**
- Retain all provided Packing Materials. All provided packing materials are for ease of repacking & component protection.

## Disassembly

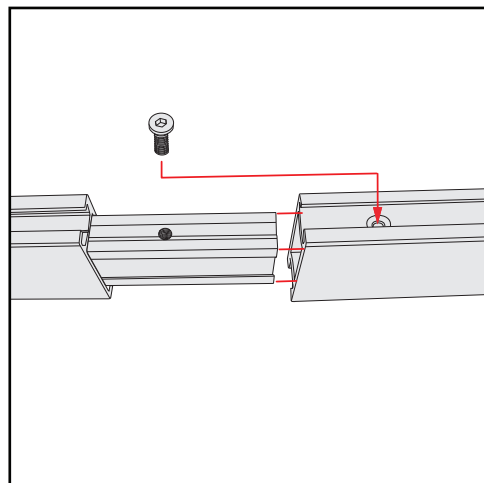
- For loss prevention, tighten all setscrews and locks during disassembly



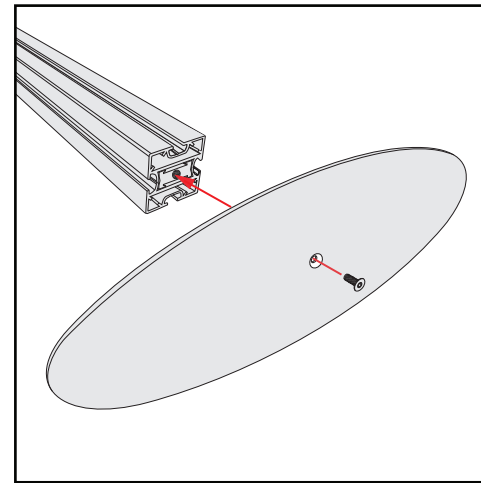
Hex Tool - Essential for Assembly



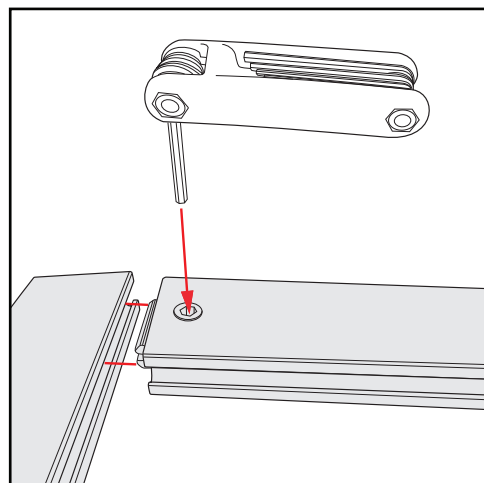
Part Identification - Numbering



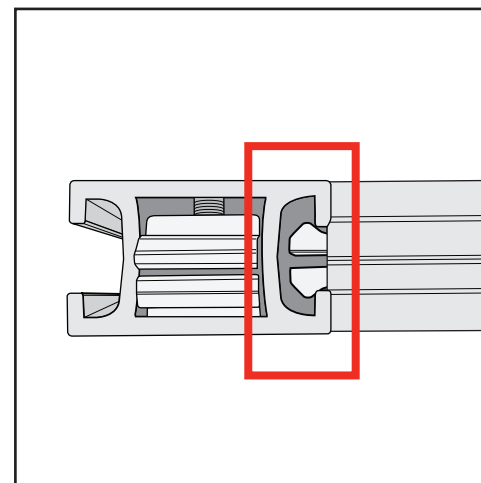
Spline Connection



Base Plate & Extrusion Connection



Extrusion & Lock Connection



Engaged Lock



# WARNING



DO NOT USE POWER TOOLS



LADDERS OR LIFTS  
MAY BE REQUIRED



ALL CONNECTIONS MUST  
BE TIGHTLY SECURED