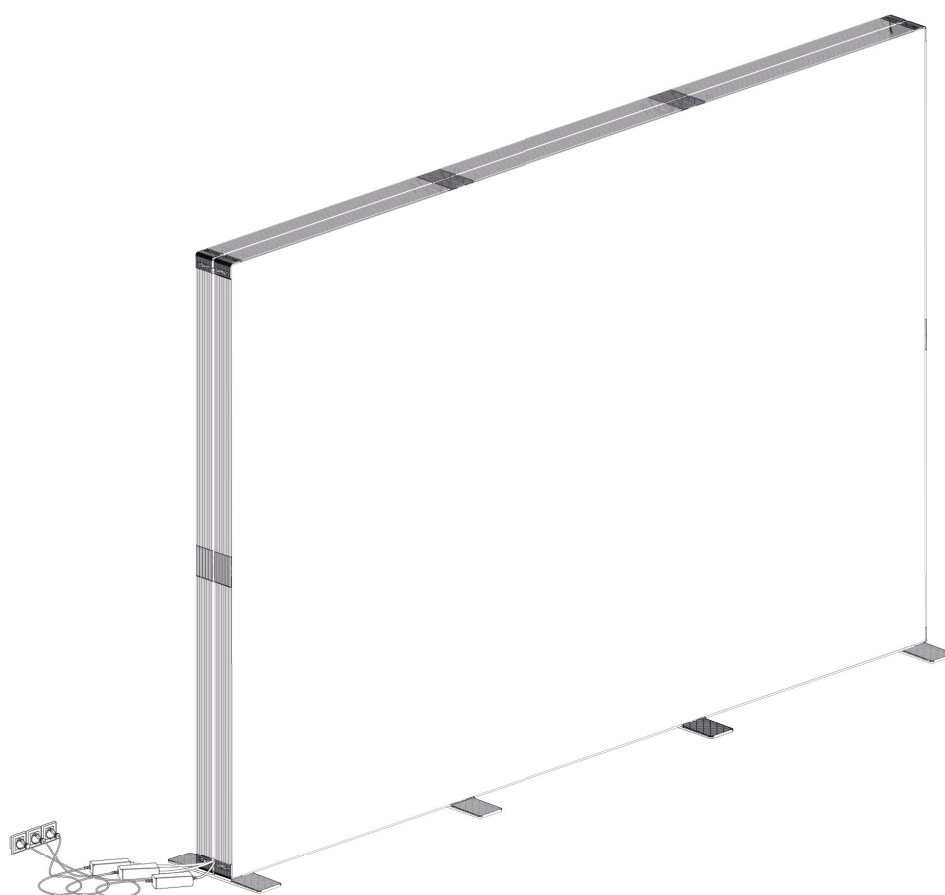


GO LIGHTBOX 11796

PIXLIP®

User manual

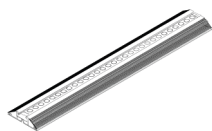


PIXLIP GO®

COMPONENTS



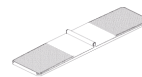
4×
Profile 44



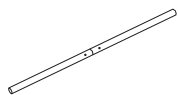
6×
Profile 35 with LED Module



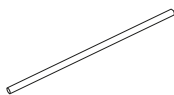
4×
Corner connector



4×
Base plate



4×
Click system strut 47



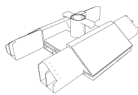
3×
Strut 38



2×
Strut cross



3×
Extension cable



6×
Strut holder



1×
GO connector set

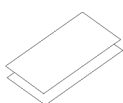


3×
Power supply with device
Plug

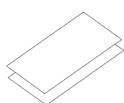


3×
Y-cable

OPTIONAL



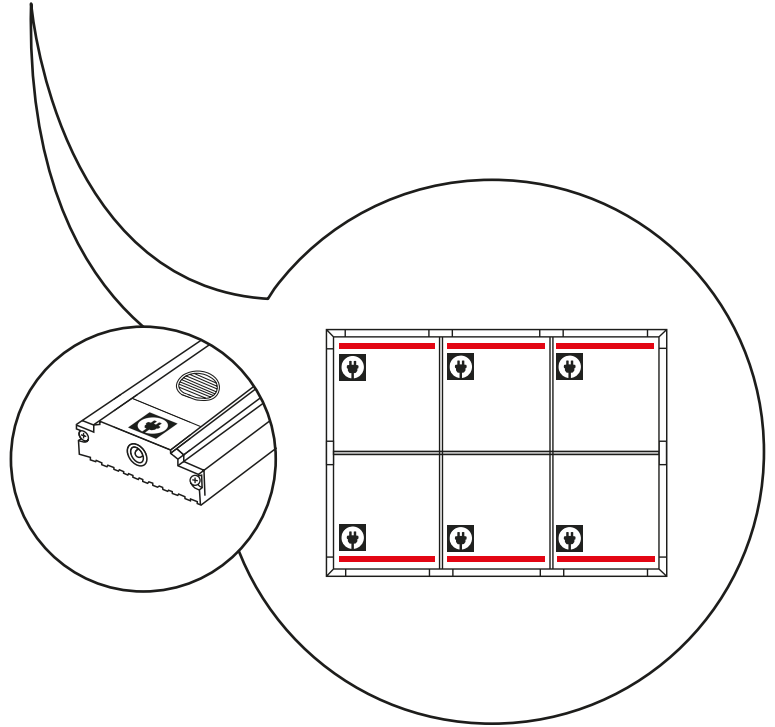
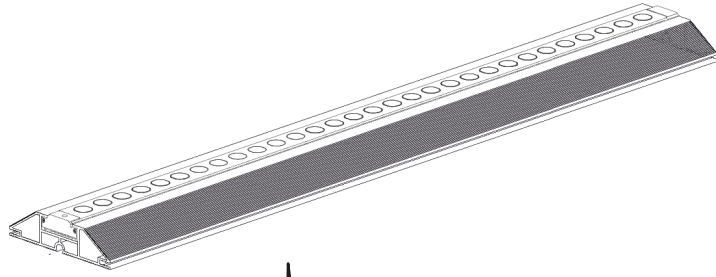
1×
Textile and blackout



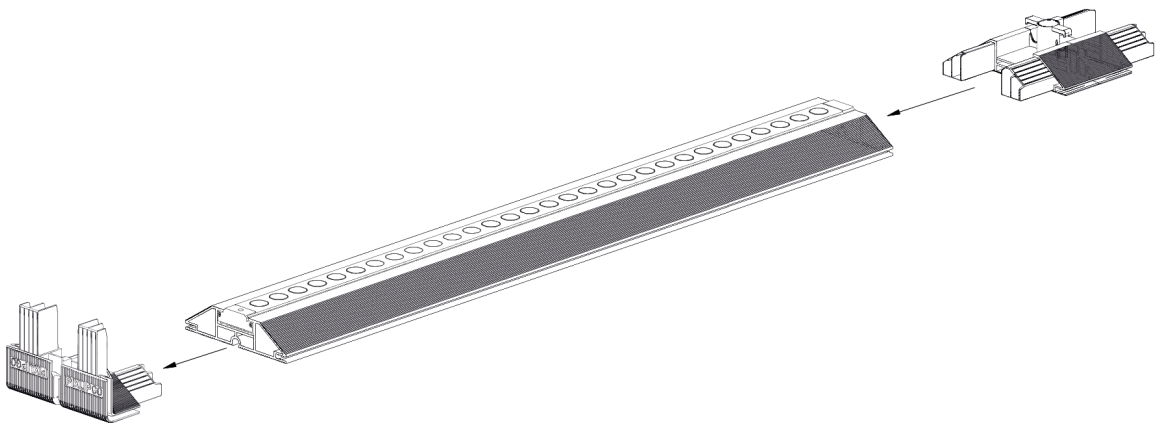
2×
Textile

1

6 ×
35



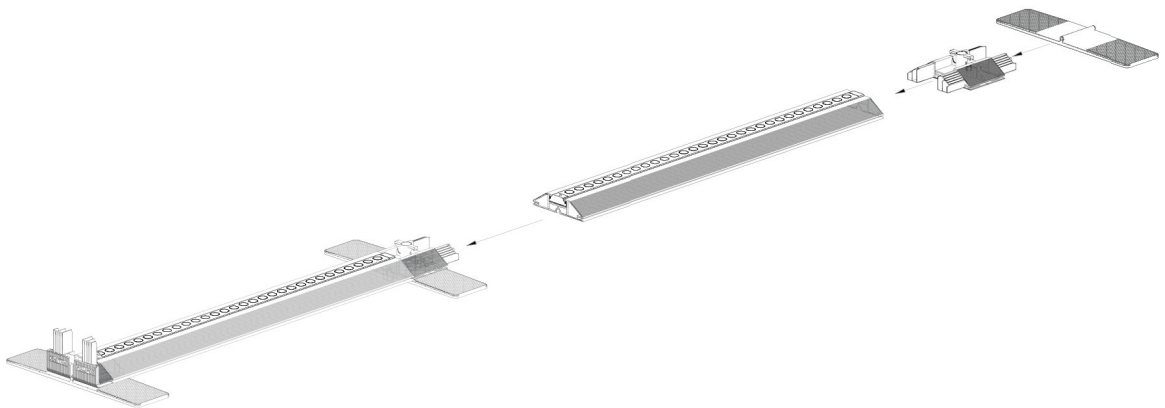
2



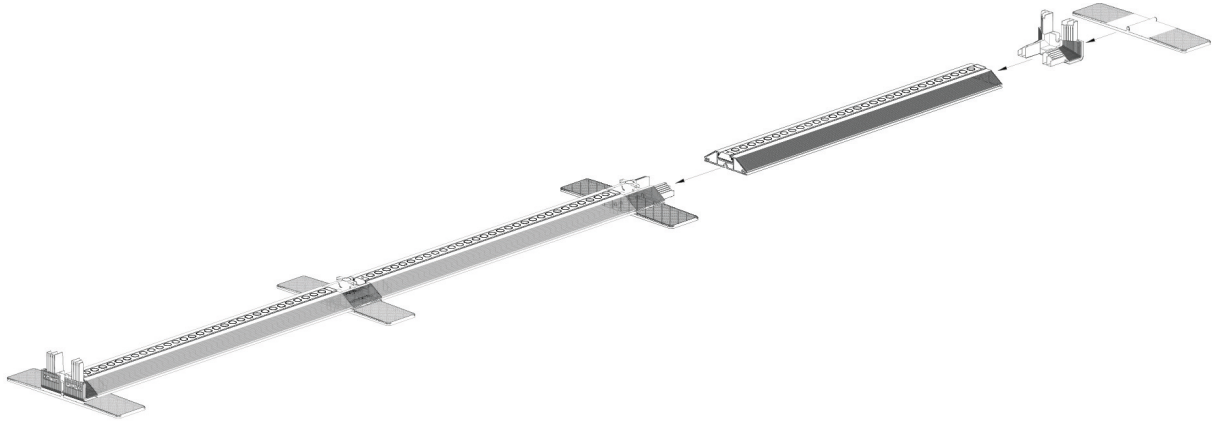
3



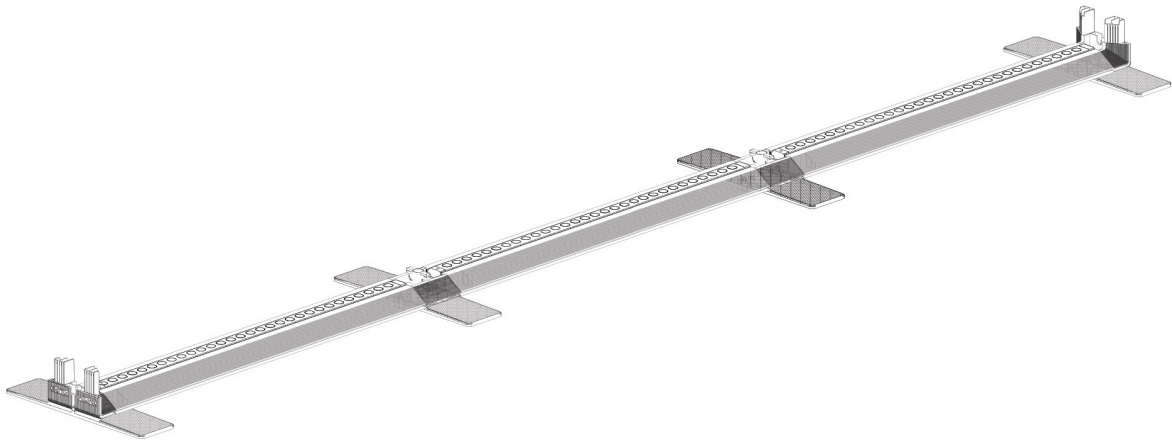
4



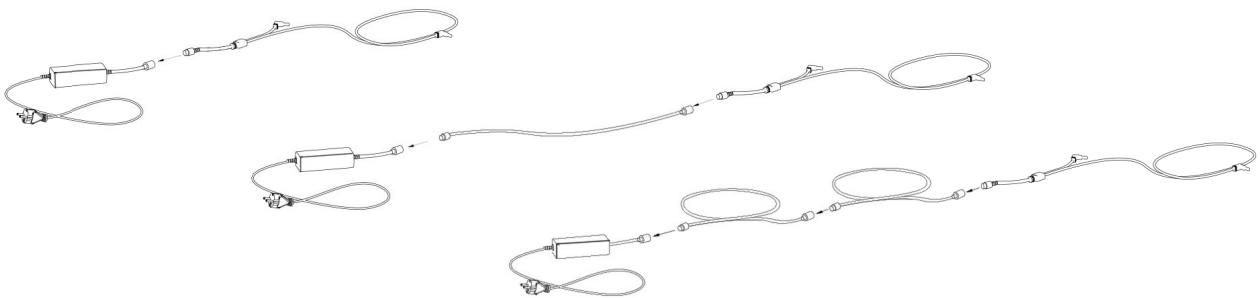
5

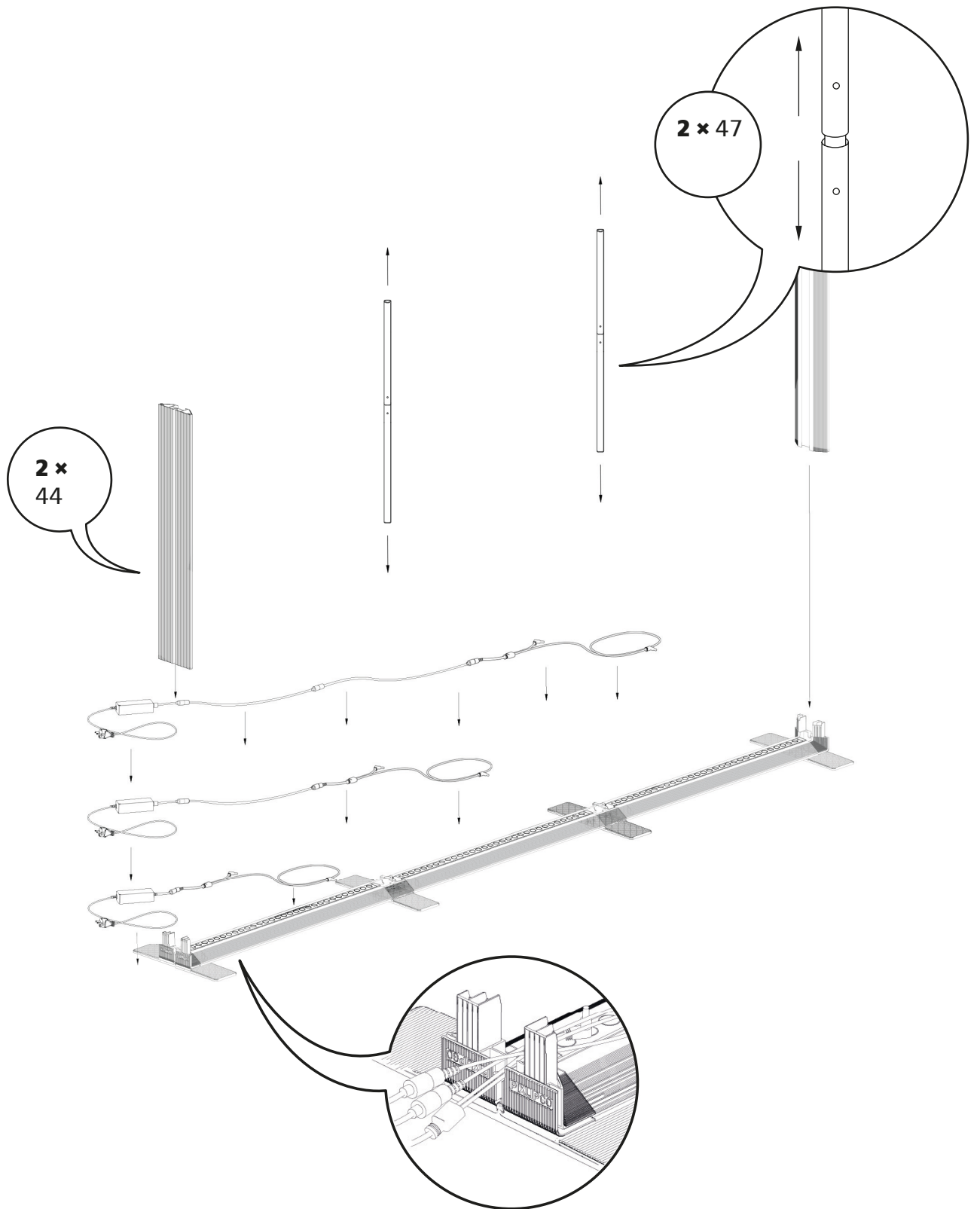


6

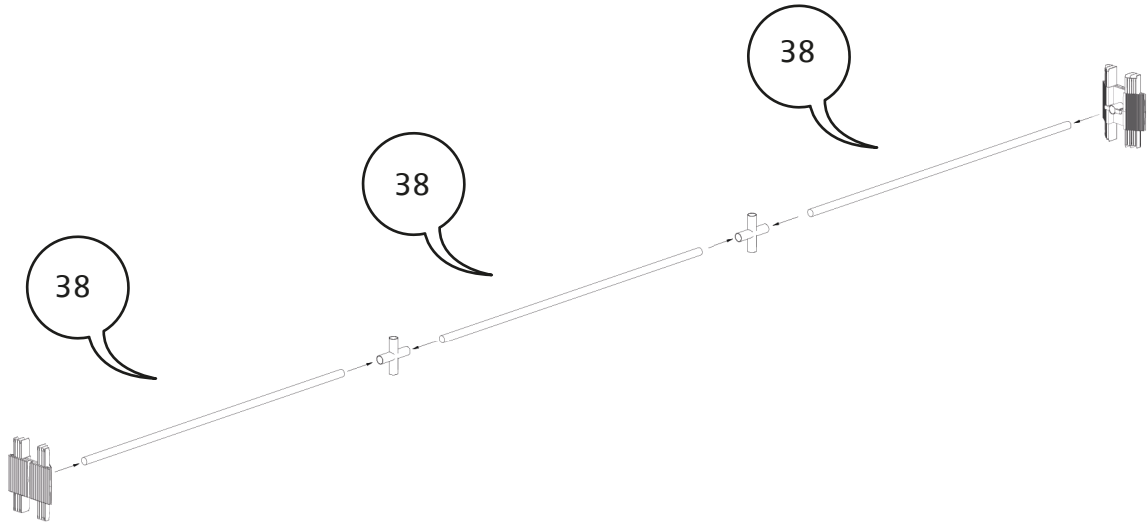


7

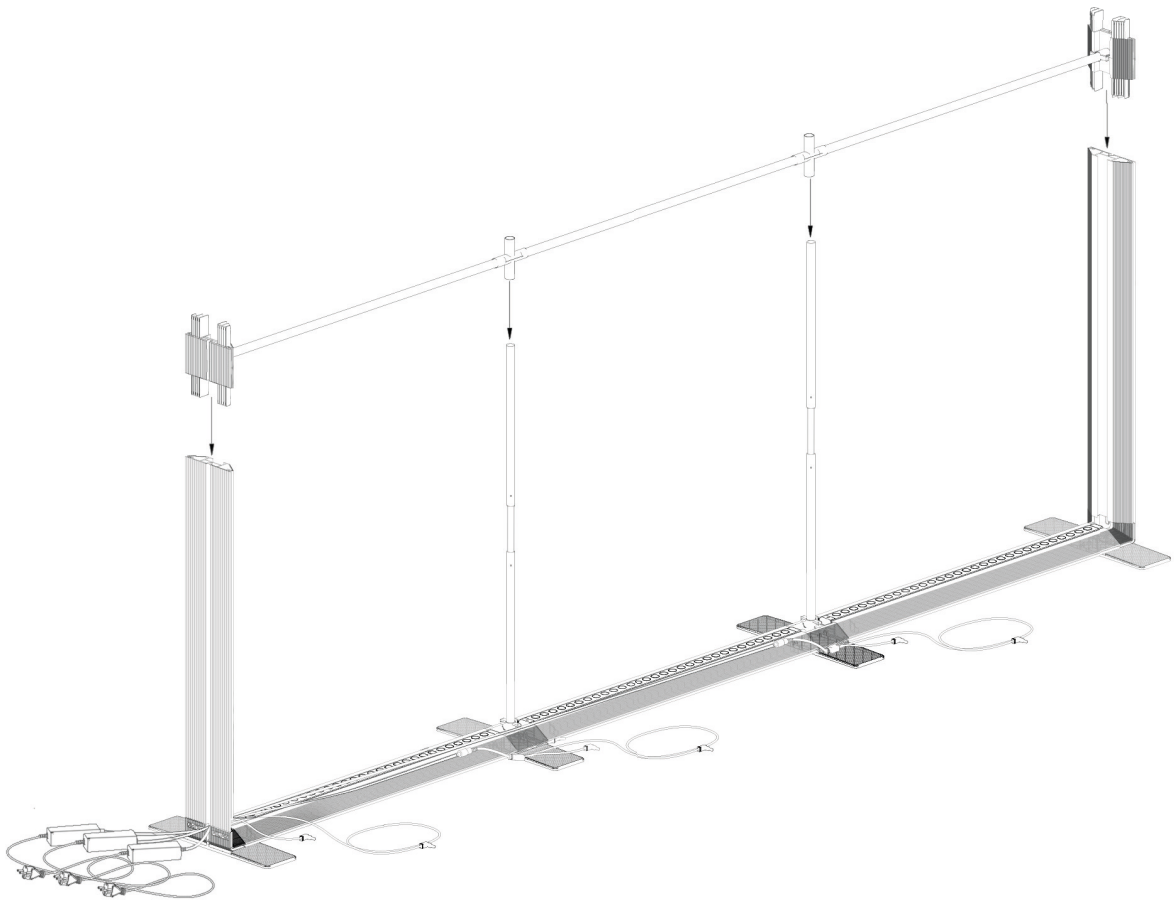




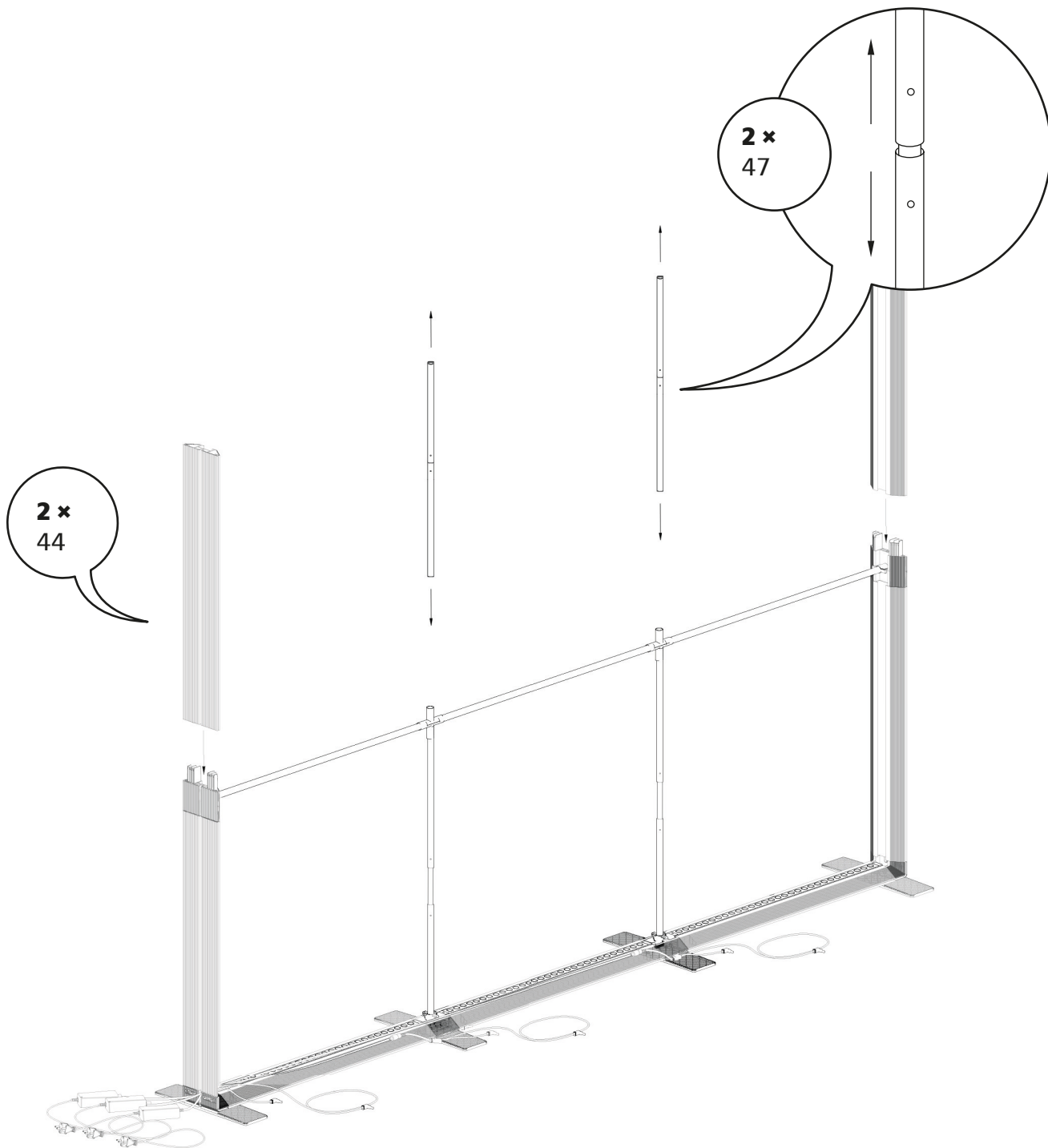
9



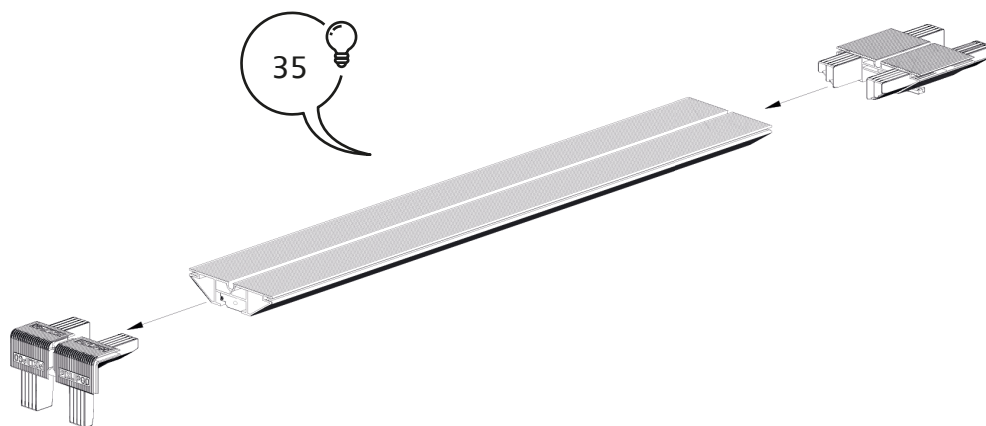
10



11

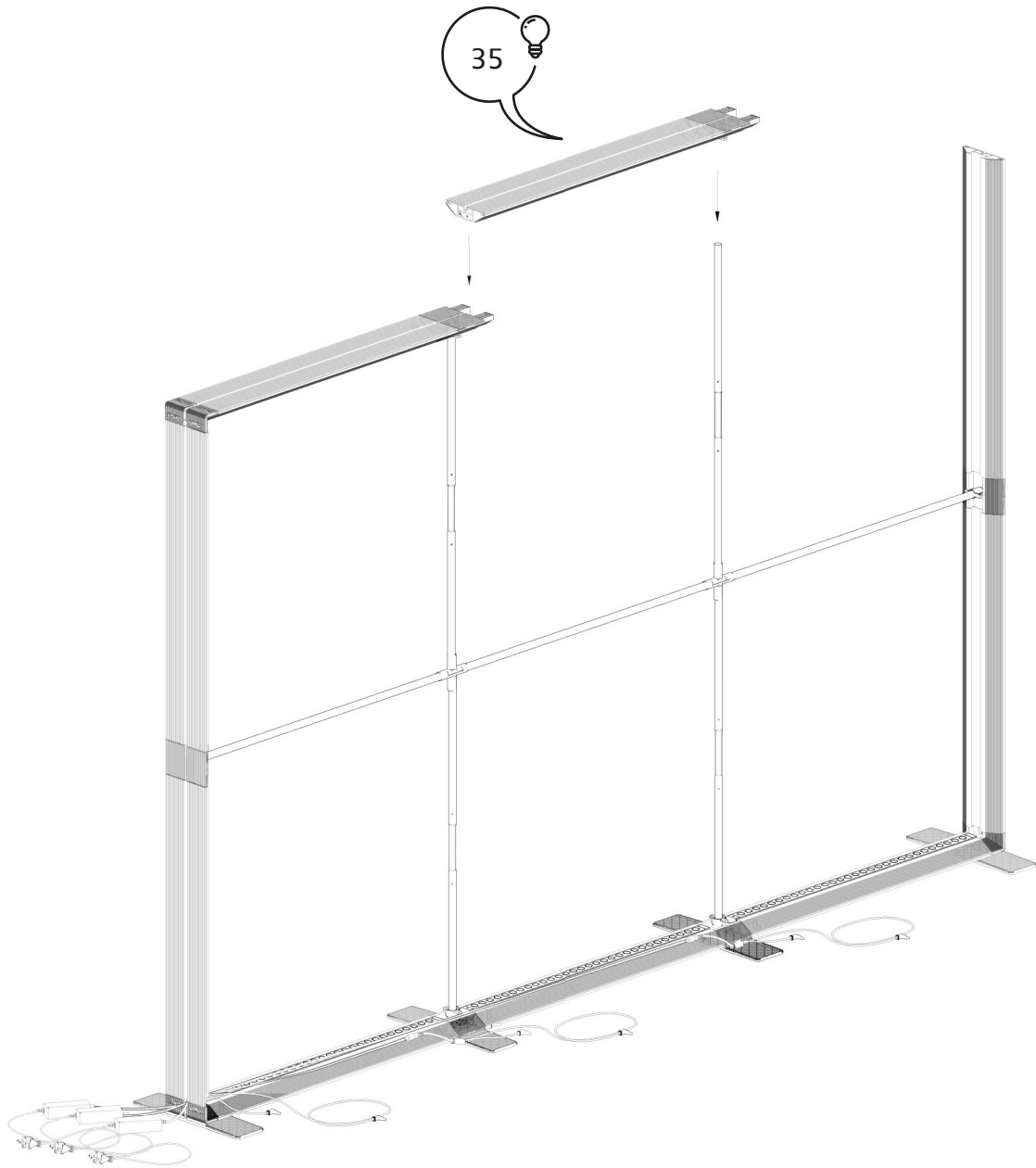


12

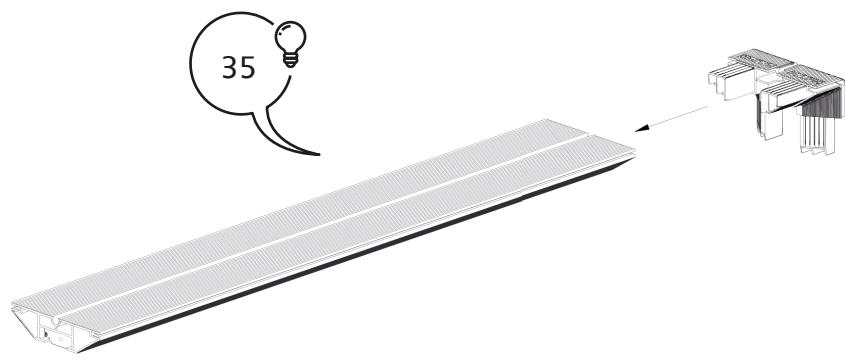


13

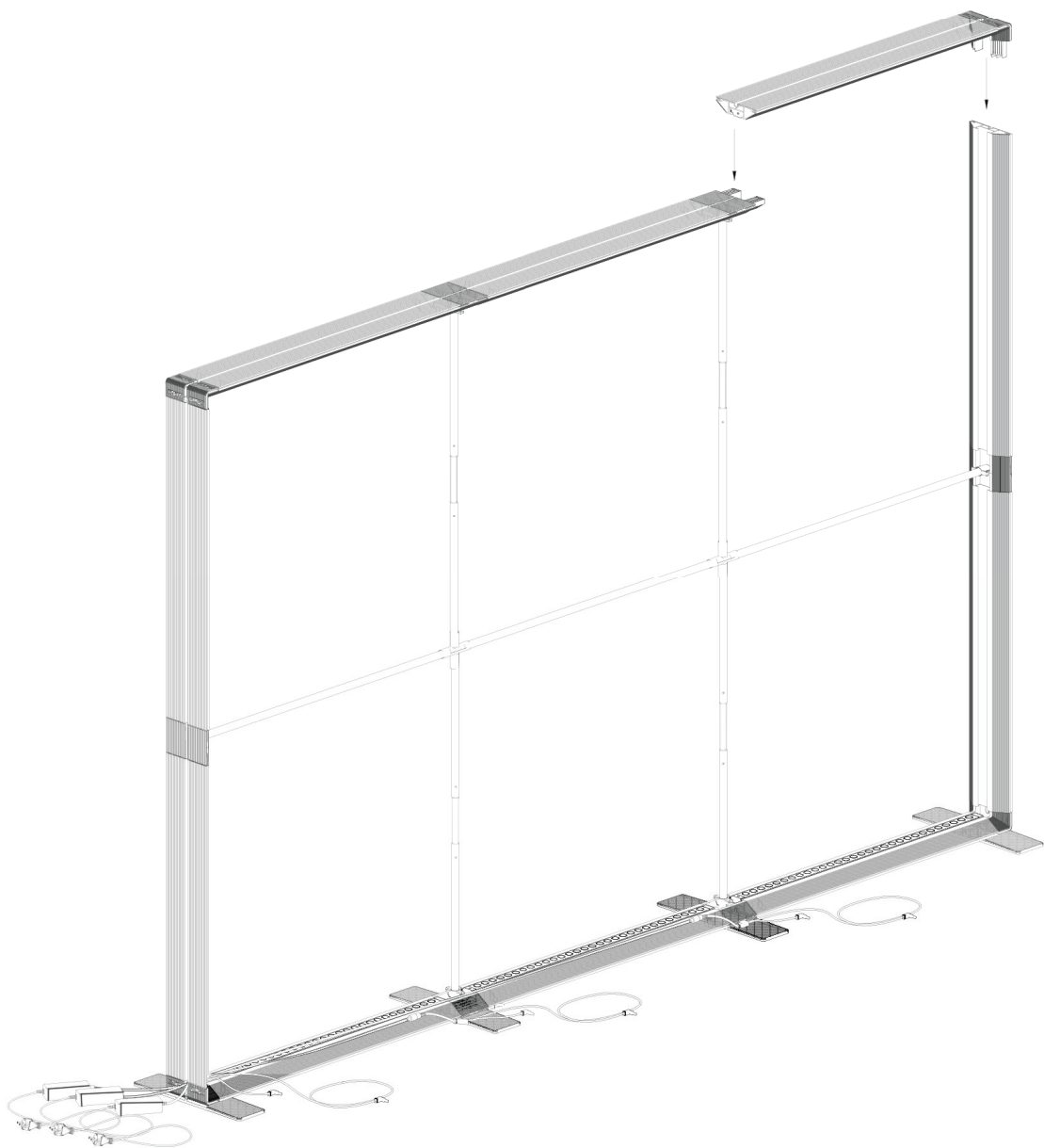


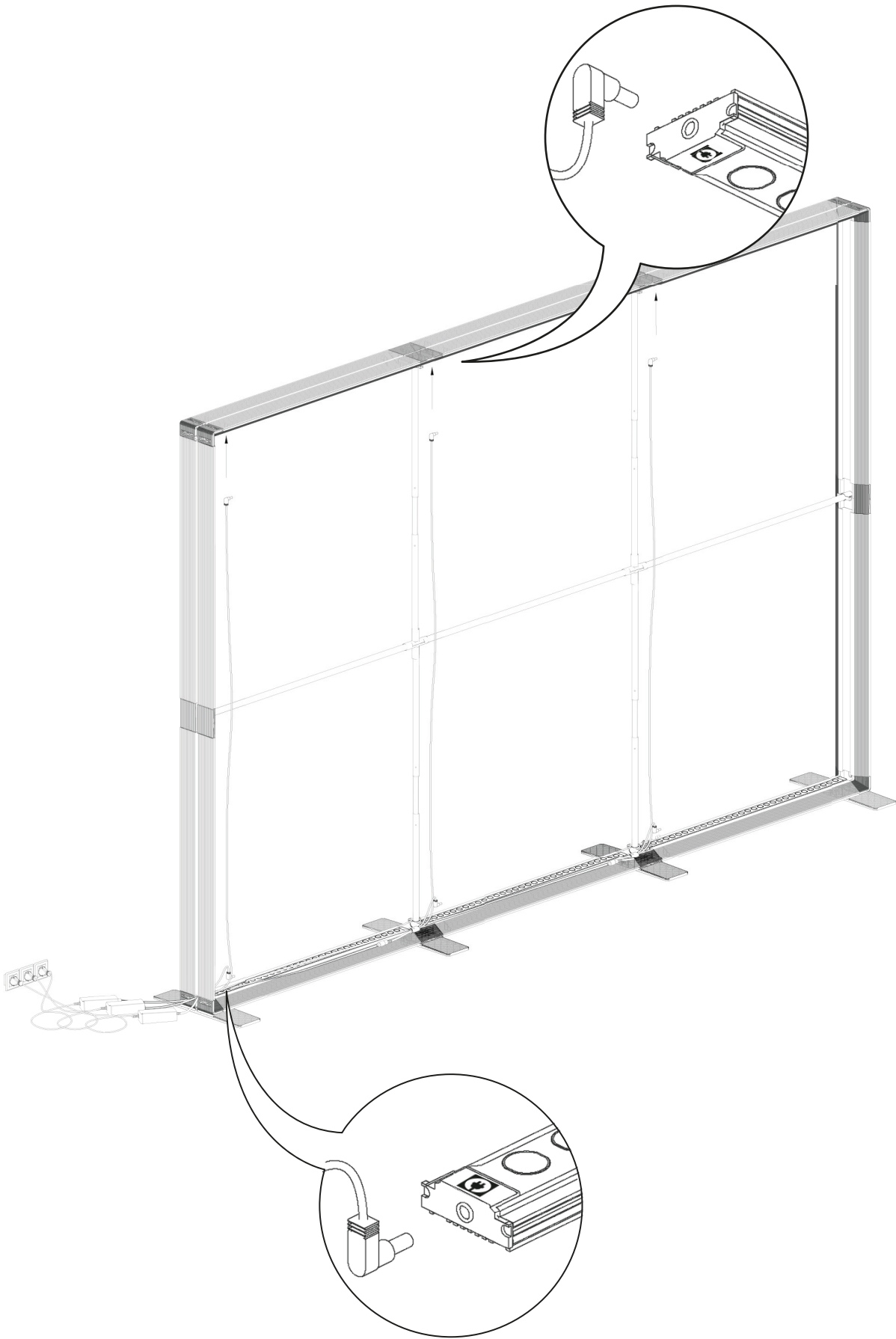


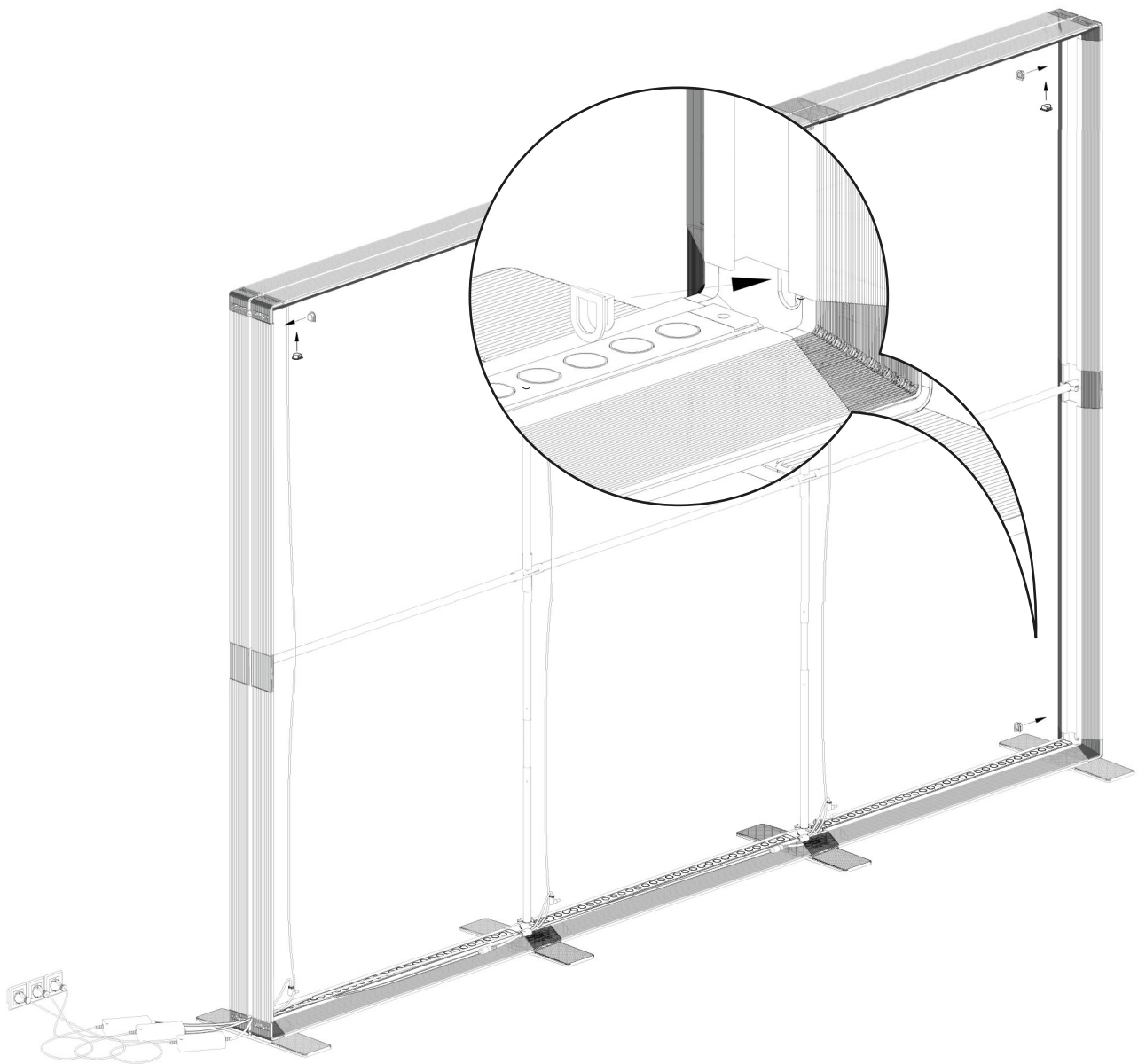
15

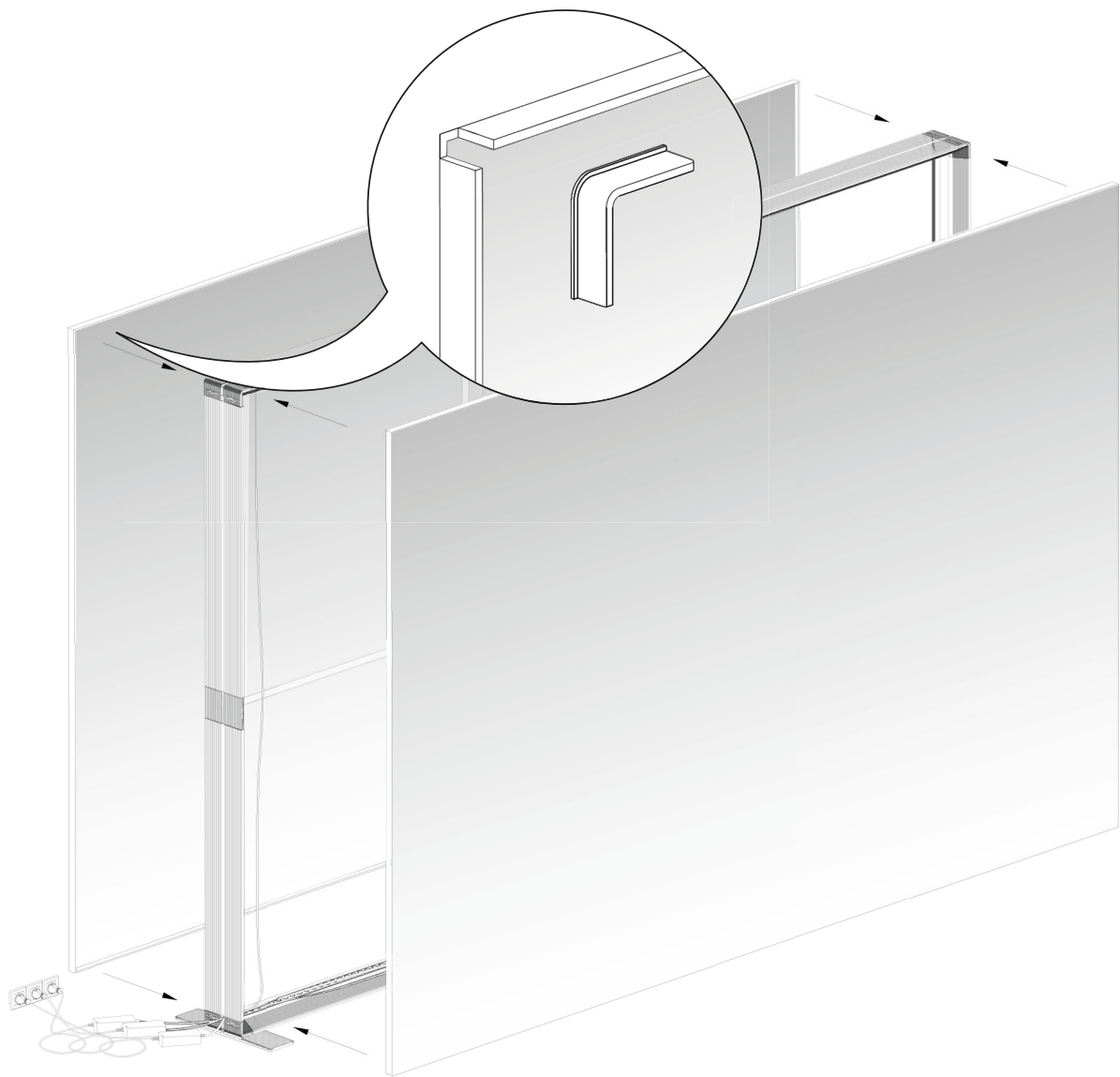


16













SAFETY INSTRUCTIONS

Before the installation and use of the appliance, read carefully the supplied instructions. The manufacturer is not responsible for any injuries or damages that are the result of incorrect installation or usage.

Assembly and installation should only be carried out by trained specialist personnel.

Please only use the delivered devices. Faulty wiring can cause damage. Do not install or use a damaged appliance.

Please consider that unauthorized modifications on the device are forbidden due to safety reasons.

Disconnect your system from the power supply before starting installation or maintenance work. Please make sure that it cannot be switched on accidentally.

Do not expose the device to direct sunlight, moisture, extreme heat, hot light or strong magnetic fields.

Keep proper ventilation around the unit and do not stack any object on it.

Never operate the device without casing hood, with closed vent slots, at high temperatures, at high air moisture.

Connect the system only to an easily accessible socket located near the installation site.

Always use a correctly installed shockproof socket. To avoid tripping hazards, do not use extension cables and don't use multi-plug adapters.

Output current and output wattage must not exceed the rated values on the specifications.

Do not stare directly into the LEDs. Do not use devices which can strongly focus light for viewing the light beam.

Do not use aggressive chemicals or abrasives for cleaning.

Always keep the instructions in a safe and accessible location for future reference.