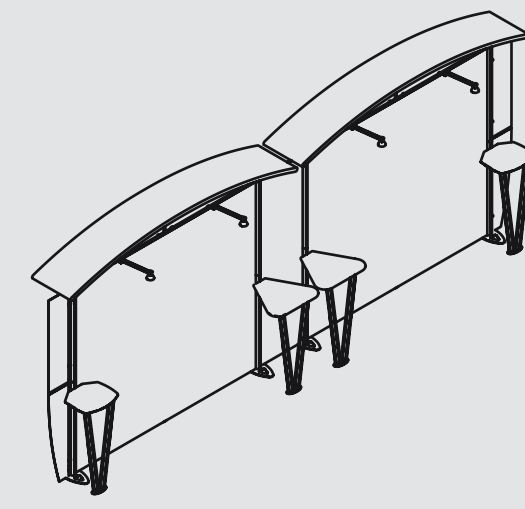


## Linear: Linear Kit 26: 20X10 Booth

---



### Graphics @ 50%

#### Center 10X10 (Qty 2)

Total Graphic Area: 97.625" w X 88" h

Trim Graphic Area: 93.625" w X 84" h

#### Connector Panel

Total Graphic Area: 26.25" w X 88" h

Trim Graphic Area: 22.25" w X 84" h

Please be sure to include a 2" bleed around the perimeter of the center and connector graphics

#### Panels A, B, G, and H (Accent Wings):

Total Graphic Area: 11.4" w X 42.63" h

Trim Graphic Area: 10.4" w X 41.63" h

#### Panels C, D, E, and F (Accent Headers):

Total Graphic Area: 46.76" w X 13.40" h

Trim Graphic Area: 45.76" w X 12.40" h

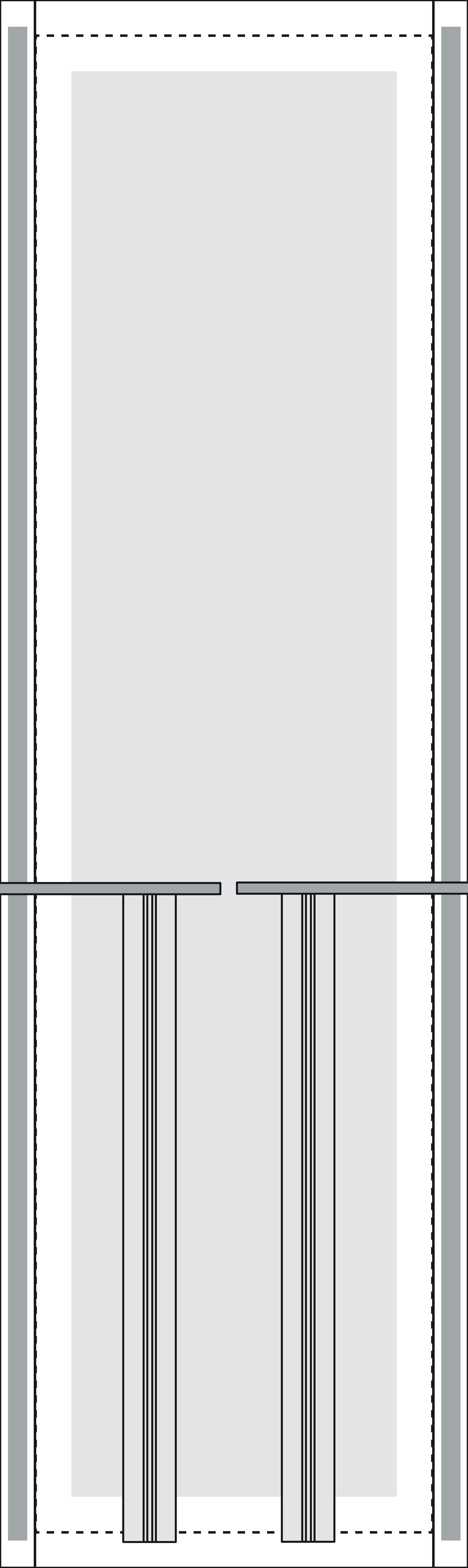
Please be sure to include a 1/2" bleed around the perimeter of all wings and header graphics

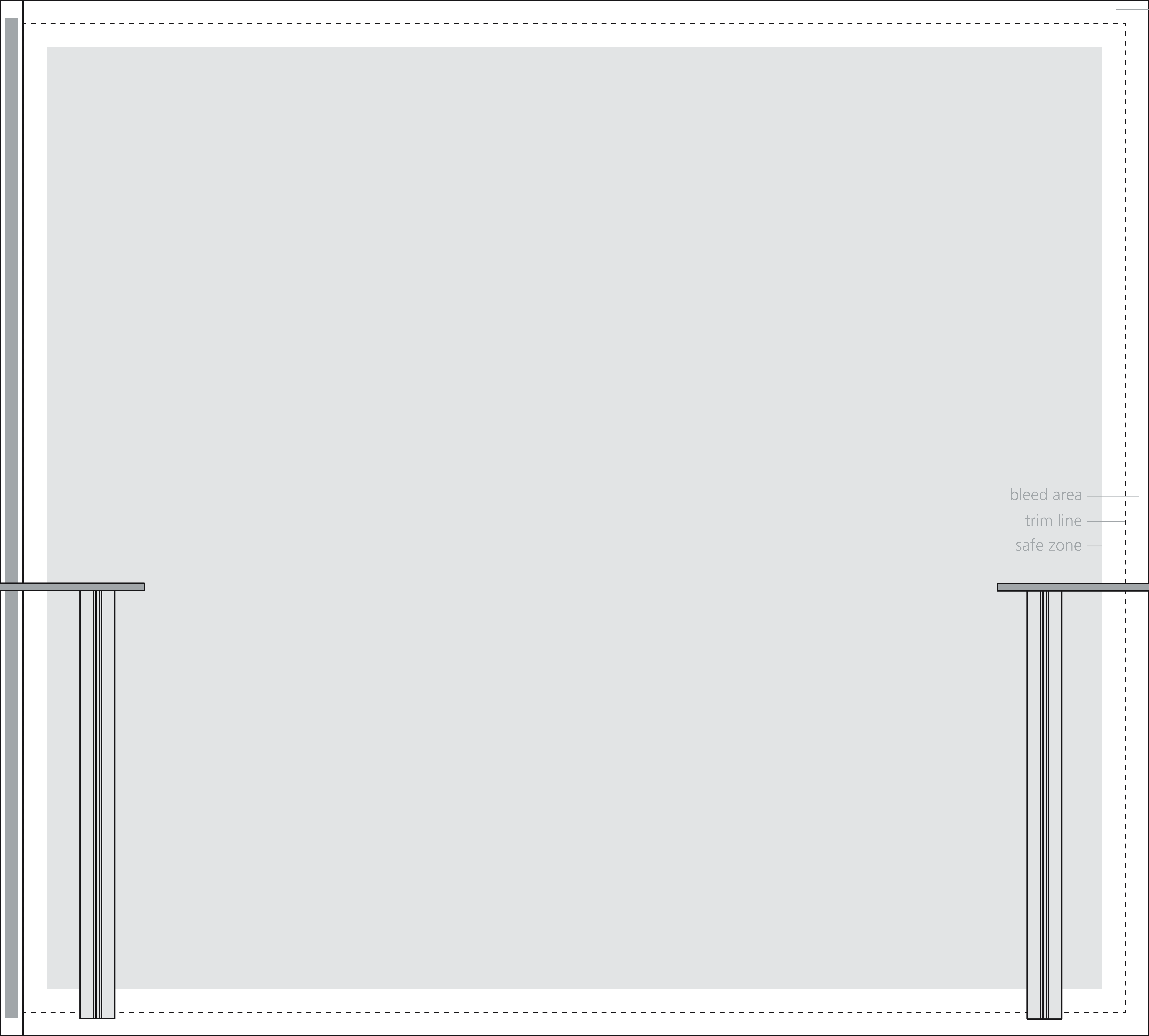
Please consider obstructions such as tables when designing your graphics

## General Art Guidelines:

---

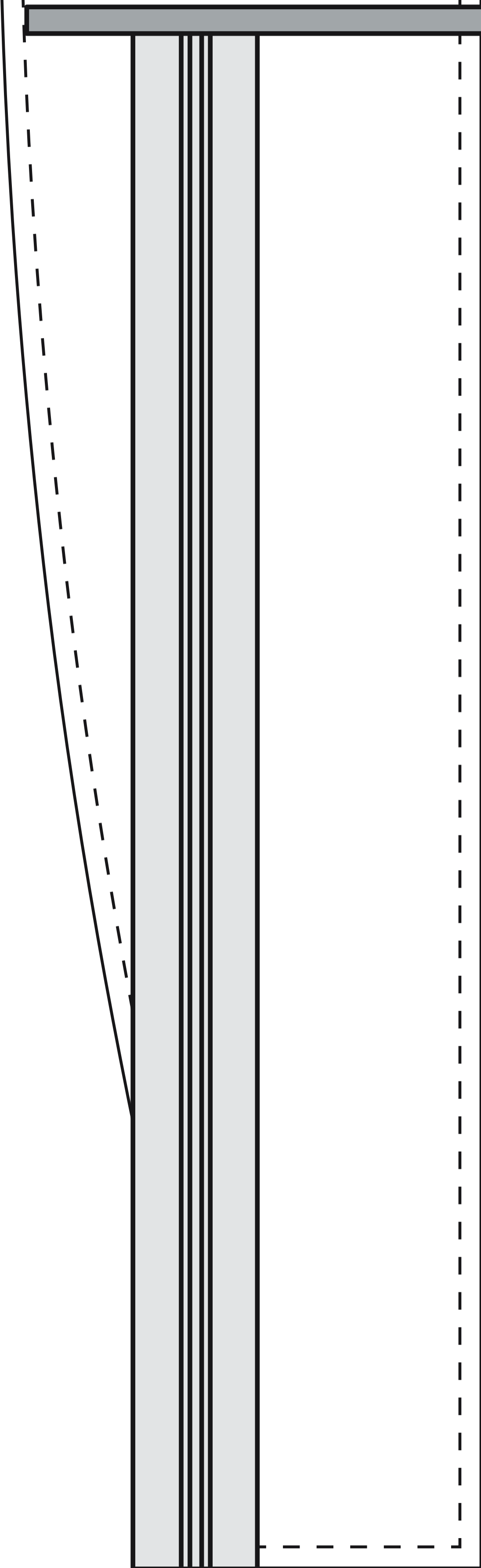
- CMYK Color Mode
- All Solid Coated Pantone colors should be called out in the art as spot colors
- Embed all images and support files
- Resolution must be 200-240 ppi at half scale, 100-120 ppi at full scale
- All fonts must be created to outlines
- Do not scale artboard
- Background color/images must bleed to the edge of artboard
- Do not use spot colors from template in your artwork as they will not print



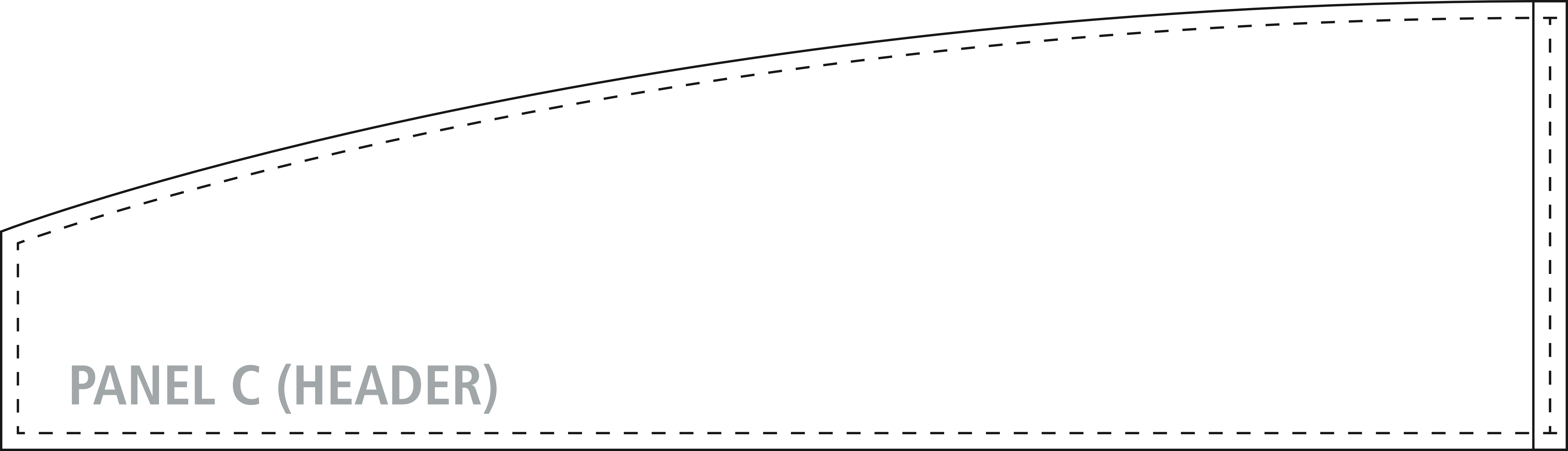


bleed area —  
trim line —  
safe zone —

# PANEL A (WING)



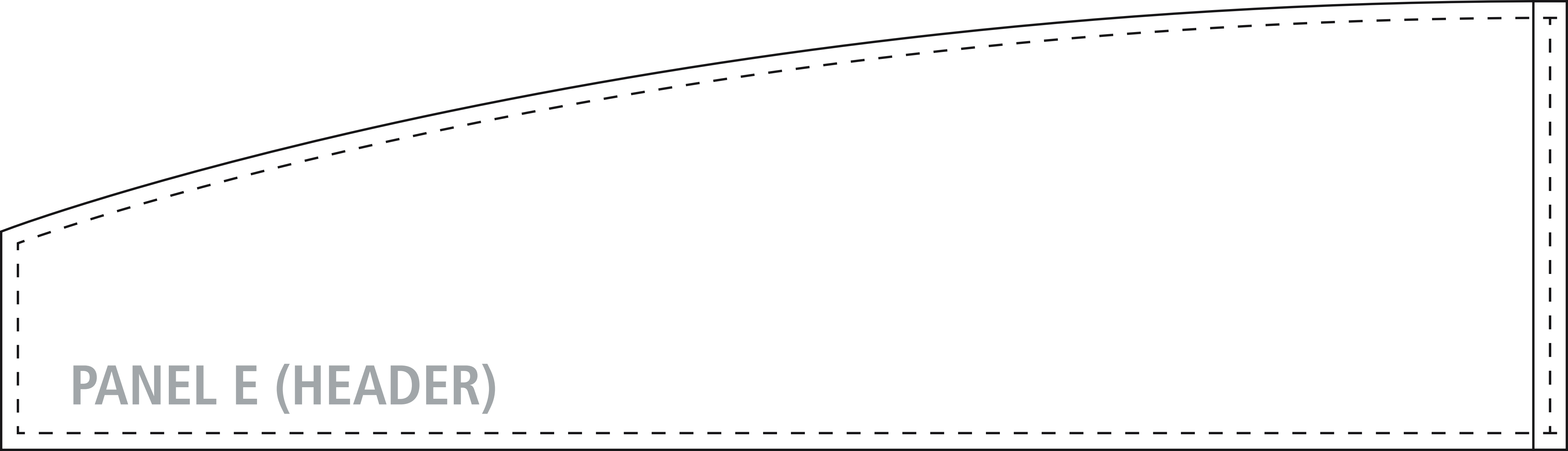
**PANEL B  
(WING)**



**PANEL C (HEADER)**



**PANEL D (HEADER)**



**PANEL E (HEADER)**



**PANEL F (HEADER)**

bleed —

trim —

**PANEL G**  
**(WING)**

# PANEL H (WING)

