

# PIN-1803

## FRAME ASSEMBLY

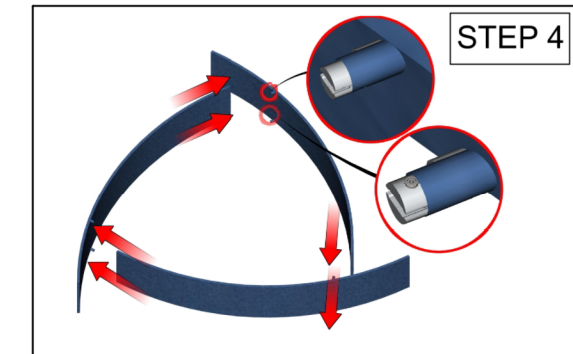
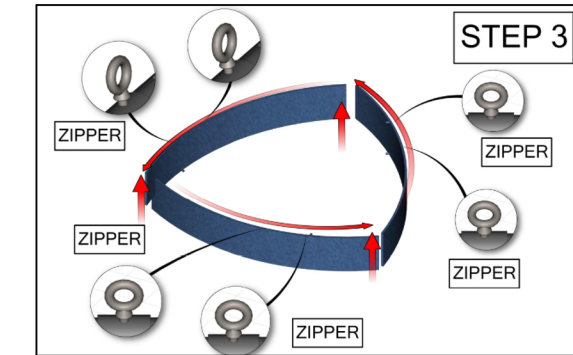
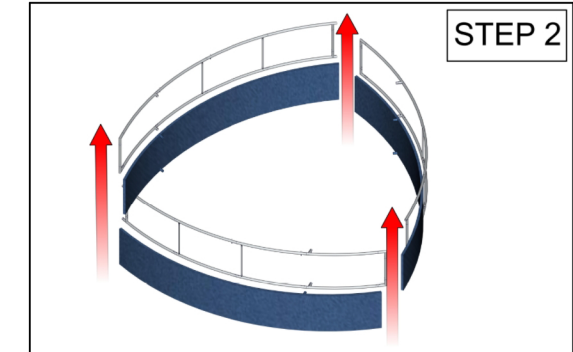
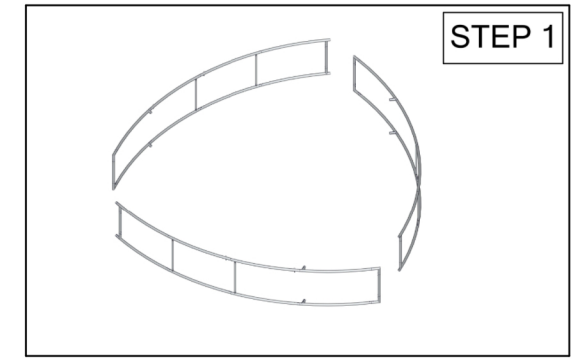
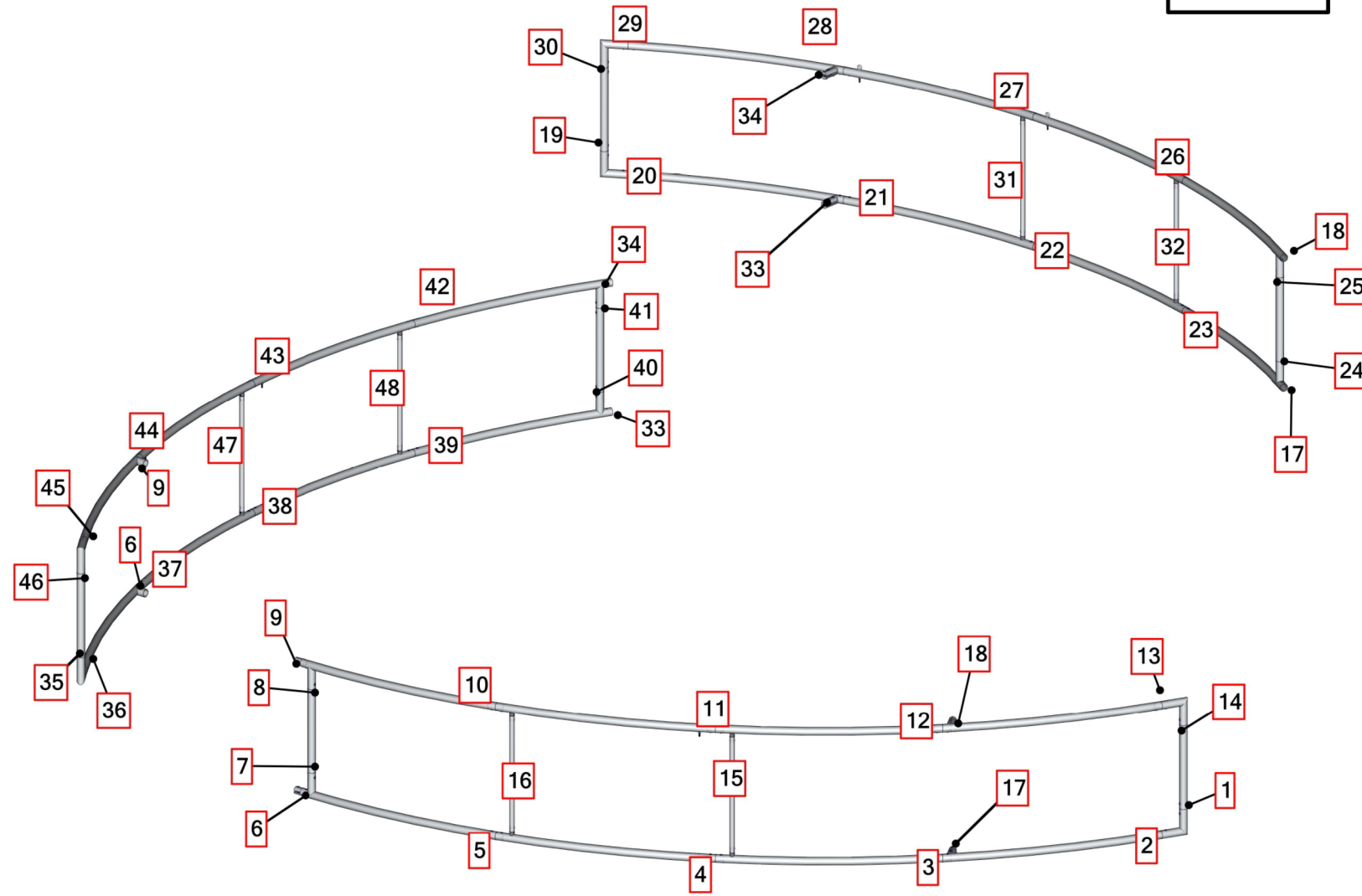
### SET UP INSTRUCTIONS:

1. CONNECT BOTTOM AND TOP TUBES FOLLOWING THE LABELS
2. CONNECT SIDE TUBES
3. CLEAN THE FRAME AND PLACE THEM ON CLEAN PLACE
4. CAREFULLY REMOVE FABRIC COVER FROM BAG
5. PLACE COVER AROUND THE BOTTOM OF THE FRAME
6. PULL COVER CAREFULLY UP TO THE TOP
7. CLOSE ALL ZIPPERS
8. ADJUST FABRIC AROUND THE FRAME
9. CONNECT CABLE HARNESS TO THE EYEBOLTS
10. COMPLETELY TIGHTEN THREADED CONNECTORS

### BREAK DOWN INSTRUCTIONS:

REVERSE SET-UP STEPS TO BREAKDOWN FRAME

- ### FABRIC CARE INSTRUCTIONS:
1. UNZIP COVER ZIPPERS
  2. CAREFULLY REMOVE FABRIC COVER
  3. CLOSE ALL ZIPPERS
  4. FOLD OR ROLL NEATLY
  5. PLACE FABRIC IN COVER BAG



TOTAL WEIGHT: 146.8 (lbs)  
 MAX SIZE: 55.5 (in)  
 HARDWARE: 111.9 (lbs)  
 GRAPHIC: 23.7 (lbs)

QTY	CODE	DESCRIPTION
6	EYE BOLT	5/16-18X3.125" PARTIALLY THREADED EYE BOLT FOR 2" TUBING FABRIC STRUCTURES
6	CORNER-50-90°-2WAY	2IN TUBE 90° WELDED 2-WAY CORNER
42	ES-50	EXPANDING SPIGOT FOR 50MM TUBE
12	PIN-18-T2	TUBE 2 FOR 18' PINWHEEL HANGING FABRIC STRUCTURE
3	PIN-18-T1	TUBE 1 FOR 18' PINWHEEL HANGING FABRIC STRUCTURE
3	PIN-18-T1-M	TUBE 1 FOR 18' PINWHEEL HANGING FABRIC STRUCTURE (MIRROR)
3	PIN-18-T3-M	TUBE 3 FOR 18' PINWHEEL HANGING FABRIC STRUCTURE (MIRROR)
3	PIN-18-T3	TUBE 3 FOR 18' PINWHEEL HANGING FABRIC STRUCTURE
6	SPDR-30-S2-3	30MM STRAIGHT SPREADER FOR 50MM CONNECTIONS OF 3' STRUCTURES
6	SPDR-50-S2-3	2" TUBING SPREADER FOR 3' HIGH FOR FOUR SIDED HANGING FABRIC STRUCTURES

