

# PIN-1603

**SET UP INSTRUCTIONS:**

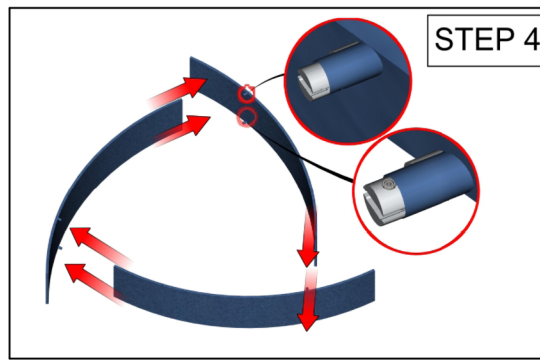
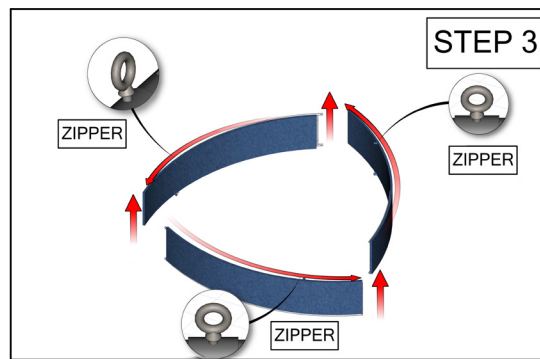
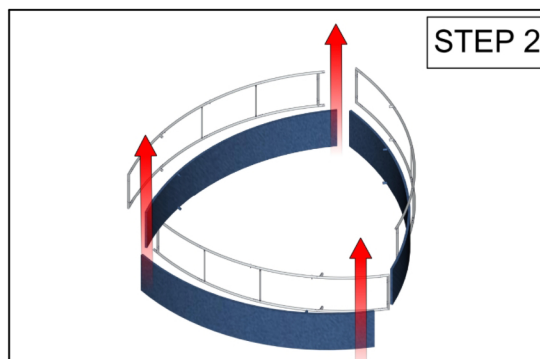
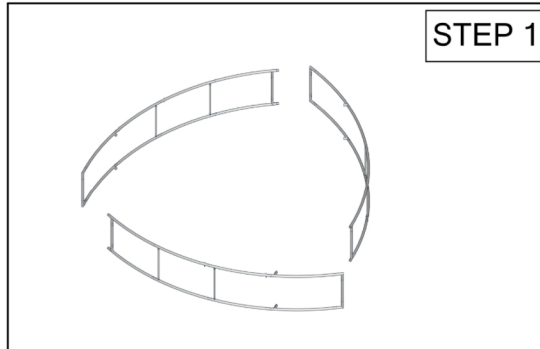
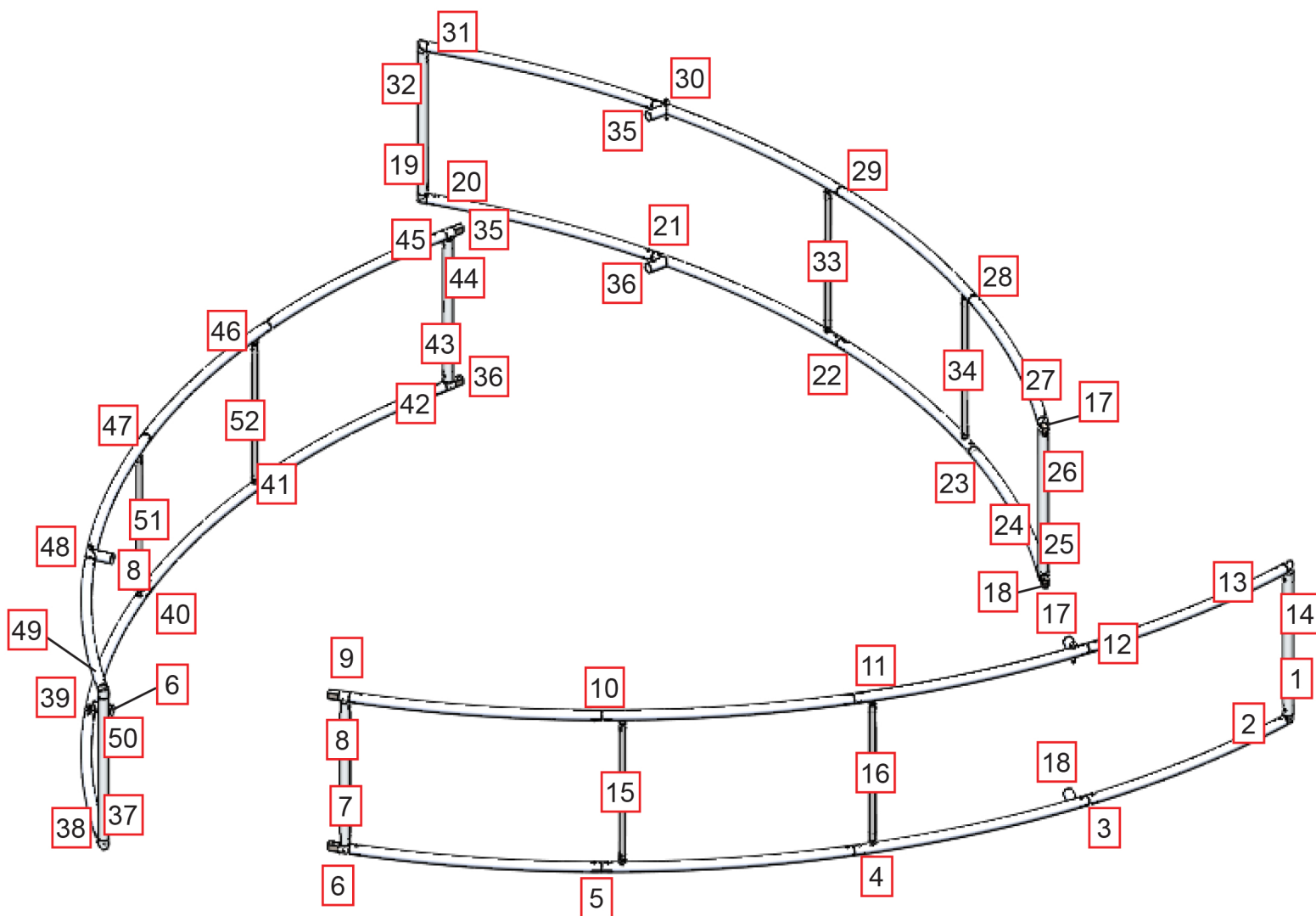
1. CONNECT BOTTOM AND TOP TUBES FOLLOWING THE LABELS
2. CONNECT SIDE TUBES
3. CLEAN THE FRAME AND PLACE THEM ON CLEAN PLACE
4. CAREFULLY REMOVE FABRIC COVER FROM BAG
5. PLACE COVER AROUND THE BOTTOM OF THE FRAME
6. PULL COVER CAREFULLY UP TO THE TOP
7. CLOSE ALL ZIPPERS
8. ADJUST FABRIC AROUND THE FRAME
9. CONNECT CABLE HARNESS TO THE EYEBOLTS
10. COMPLETELY TIGHTEN THREADED CONNECTORS

**BREAK DOWN INSTRUCTIONS:**  
REVERSE SET-UP STEPS TO BREAKDOWN FRAME

**FABRIC CARE INSTRUCTIONS:**

1. UNZIP COVER ZIPPERS
2. CAREFULLY REMOVE FABRIC COVER
3. CLOSE ALL ZIPPERS
4. FOLD OR ROLL NEATLY
5. PLACE FABRIC IN COVER BAG

TOTAL WEIGHT: 136.3 (lbs)  
MAX SIZE: 48.8 (in)  
HARDWARE: 104.8 (lbs)  
GRAPHIC: 21.0 (lbs)



PART NUMBER	DESCRIPTION	PIN-1603/QTY.
PIN-16-T1	50MM TUBE 1 FOR PIN-16 APPROX 4FT	3
PIN-16-T2	50MM TUBE 2 FOR PIN-16 APPROX 4FT	3
PIN-16-T5	50MM TUBE 5 FOR PIN-16 APPROX 4FT	12
PIN-16-T3	50MM TUBE 3 FOR PIN-16 APPROX 4FT	3
PIN-16-T4	50MM TUBE 4 FOR PIN-16 APPROX 4FT	3
ES50-C-ES50-S-ASY	COPE CONNECTOR FOR 50MM TUBE AND HUB CONNECTOR FOR 50MM TUBE ASSEMBLY	6
ES50-2W	2-WAY CORNER FOR 50MM TUBE	6
ES50-1	EXPANDING SPIGOT FOR 50MM TUBE WITH COMPRESSION SPRING	18
3018T24	5/16-18X3.125" PARTIALLY THREADED EYE BOLT FOR 2" TUBING FABRIC STRUCTURES	3
SPDR-30-S2-3	30MM STRAIGHT SPREADER FOR 50MM CONNECTIONS OF 3' STRUCTURES APPROX 2.53FT	6
SPDR-50-S5-3<As Machined>	50MM CORNER SPREADER 3 FOR 50MM FRAMES OF 3' STRUCTURES APPROX 2.65FT	6
TC-30-D	30MM CONNECTION TO 50MM TUBE	12
M8 NYLOCK NUT	M8 X 1.25 NYLON-INSERT HEX LOCK NUT	12
M8 CAP SCREW	M8 X 20MM CAP SCREW	12
CH-SP3-HD-10	3-CABLE SINGLE POINT HEAVY DUTY HARNESS WITH 120" LENGTHS 1/8" CABLE	1

