

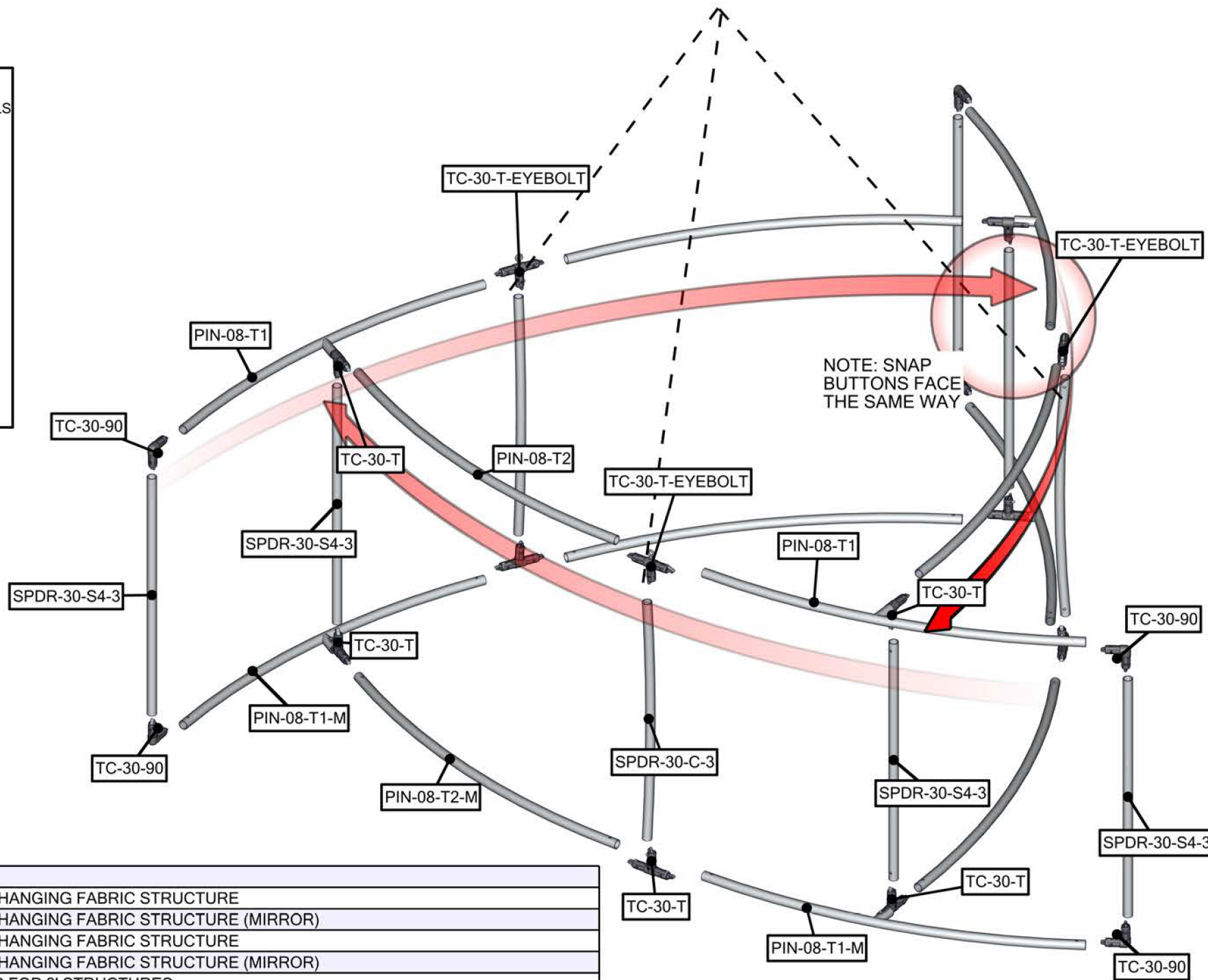
PIN-0803

SET UP INSTRUCTIONS:

1. CONNECT BOTTOM AND TOP TUBES FOLLOWING THE LABELS
2. CONNECT SIDE TUBES
3. CLEAN THE FRAME AND PLACE THEM ON CLEAN PLACE
4. CAREFULLY REMOVE FABRIC COVER FROM BAG
5. PLACE COVER AROUND THE BOTTOM OF THE FRAME
6. PULL COVER CAREFULLY UP TO THE TOP
7. CLOSE ALL ZIPPERS
8. ADJUST FABRIC AROUND THE FRAME
9. CONNECT CABLE HARNESS TO THE EYEBOLTS
10. COMPLETELY TIGHTEN THREADED CONNECTORS

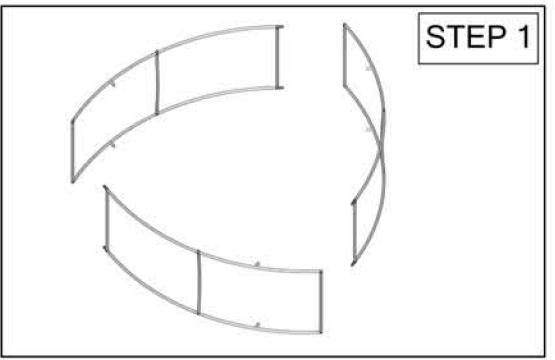
BREAK DOWN INSTRUCTIONS:
REVERSE SET-UP STEPS TO BREAKDOWN FRAME

- FABRIC CARE INSTRUCTIONS:**
1. UNZIP COVER ZIPPERS
 2. CAREFULLY REMOVE FABRIC COVER
 3. CLOSE ALL ZIPPERS
 4. FOLD OR ROLL NEATLY
 5. PLACE FABRIC IN COVER BAG

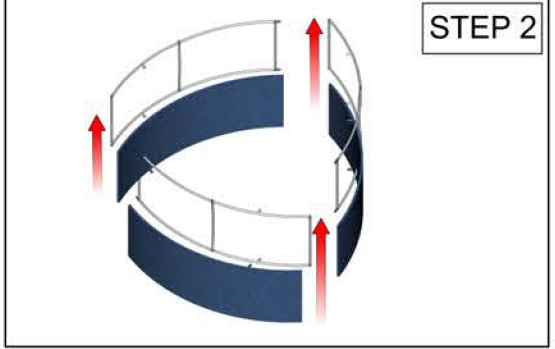


TOTAL WEIGHT: 33.7 (lbs)
MAX SIZE: 48.1 (in)
HARDWARE: 21.1 (lbs)
GRAPHIC: 10.5 (lbs)

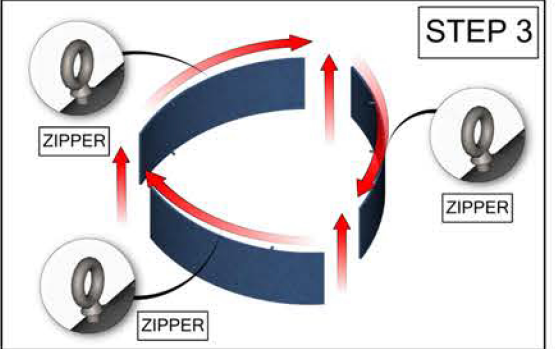
QTY	CODE	DESCRIPTION
3	PIN-08-T1	TUBE 1 FOR 8' PINWHEEL HANGING FABRIC STRUCTURE
3	PIN-08-T1-M	TUBE 1 FOR 8' PINWHEEL HANGING FABRIC STRUCTURE (MIRROR)
3	PIN-08-T2	TUBE 2 FOR 8' PINWHEEL HANGING FABRIC STRUCTURE
3	PIN-08-T2-M	TUBE 2 FOR 8' PINWHEEL HANGING FABRIC STRUCTURE (MIRROR)
3	SPDR-30-C-3	30MM CURVED SPREADER FOR 3' STRUCTURES
6	SPDR-30-S4-3	30MM STRAIGHT SPREADER FOR TC-30-T JUNCTIONS OF 3' HIGH 30MM FABRIC STRUCTURE FRAMES
6	TC-30-90	90 DEGREE ELBOW JOINT FOR 30MM TUBING
9	TC-30-T	T JUNCTION FOR 30MM TUBING
3	TC-30-T-EYEBOLT	T JUNCTION FOR 30MM TUBING



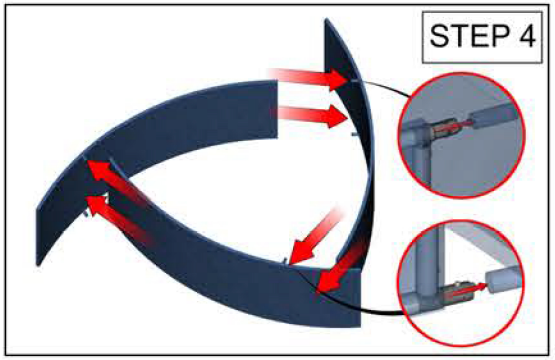
STEP 1



STEP 2



STEP 3



STEP 4

