

# SQU-1203

**SET UP INSTRUCTIONS:**

1. CONNECT BOTTOM AND TOP TUBES FOLLOWING THE LABELS
2. CONNECT SIDE TUBES
3. CLEAN THE FRAME AND PLACE THEM ON CLEAN PLACE
4. CAREFULLY REMOVE FABRIC COVER FROM BAG
5. PLACE COVER AROUND THE BOTTOM OF THE FRAME
6. PULL COVER CAREFULLY UP TO THE TOP
7. CLOSE ALL ZIPPERS
8. ADJUST FABRIC AROUND THE FRAME
9. CONNECT CABLE HARNESS TO THE EYEBOLTS
10. COMPLETELY TIGHTEN THREADED CONNECTORS

**BREAK DOWN INSTRUCTIONS:**

REVERSE SET-UP STEPS TO BREAKDOWN FRAME

**FABRIC CARE INSTRUCTIONS:**

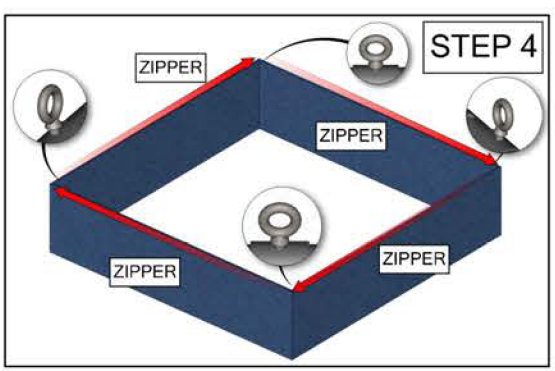
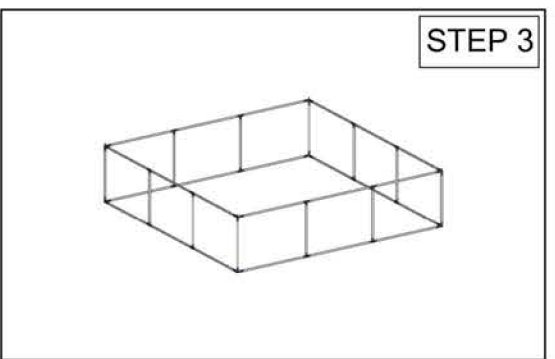
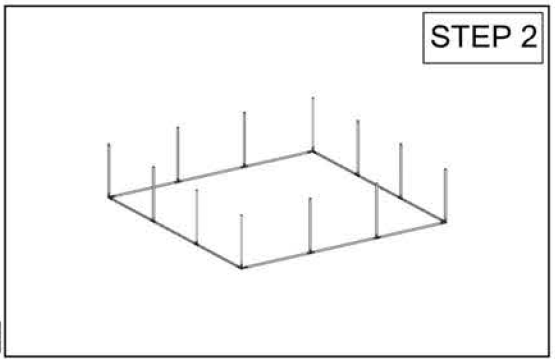
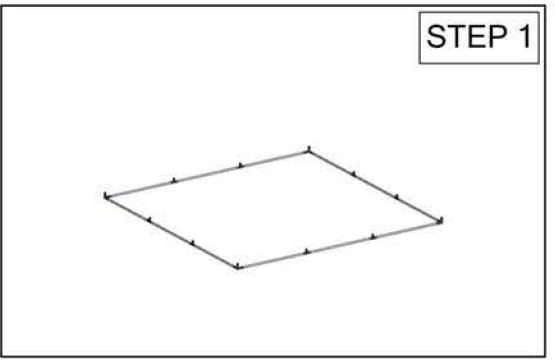
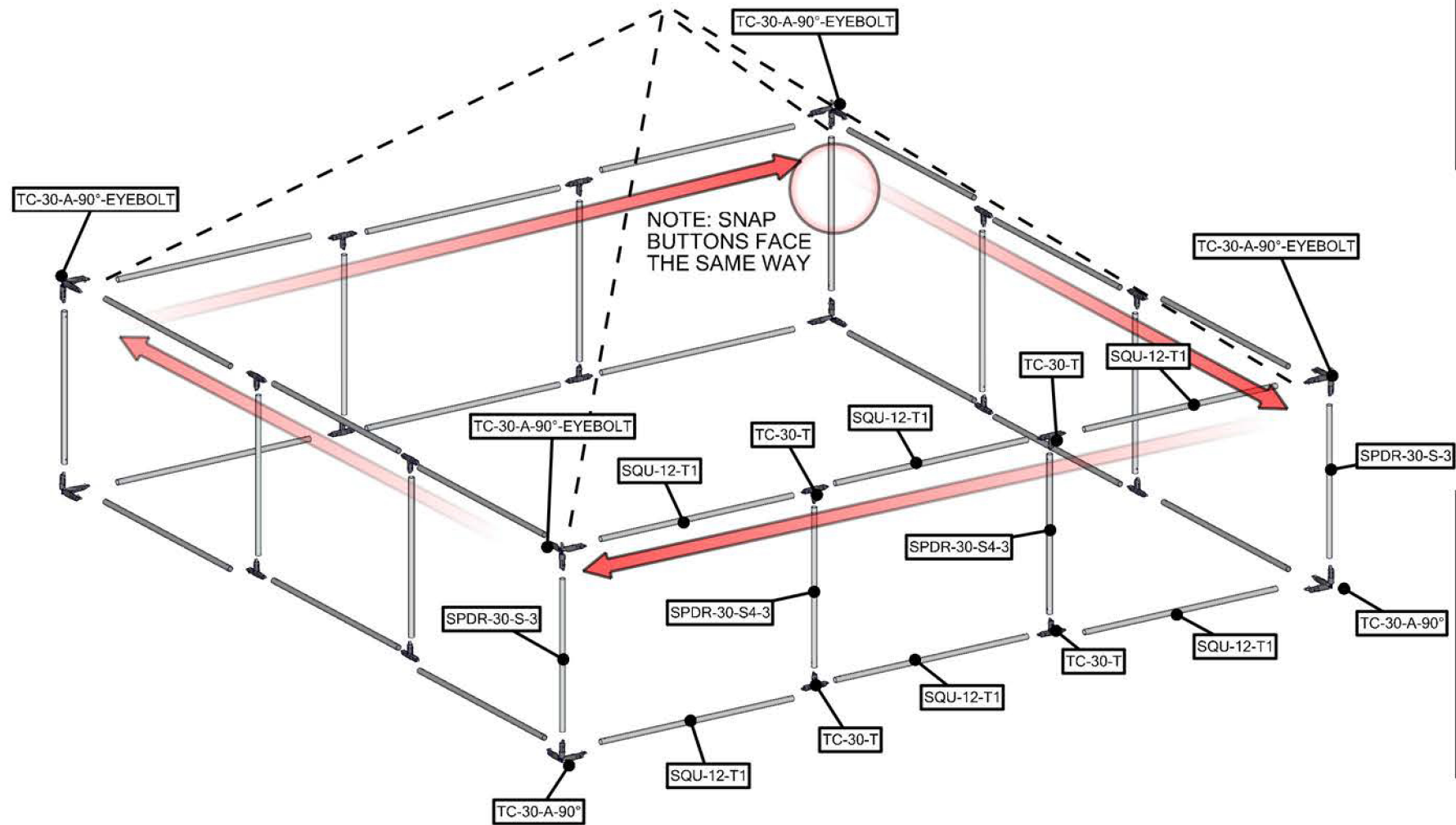
1. UNZIP COVER ZIPPERS
2. CAREFULLY REMOVE FABRIC COVER
3. CLOSE ALL ZIPPERS
4. FOLD OR ROLL NEATLY
5. PLACE FABRIC IN COVER BAG

**TOTAL WEIGHT: 59.4(lbs)**

**MAX SIZE: 45.1(in)**

**HARDWARE: 35.9(lbs)**

**GRAPHIC: 26.6(lbs)**



| QTY | CODE                | DESCRIPTION   |
|-----|---------------------|---|
| 4   | SPDR-30-S-3         | 30MM STRAIGHT SPREADER FOR CORNERS OF 3' STRUCTURES                                     |
| 8   | SPDR-30-S4-3        | 30MM STRAIGHT SPREADER FOR CORNERS TO TC-30-90T JUNCTIONS OF 3' STRUCTURES USING RIVETS |
| 24  | SQU-12-T1           | TUBE 1 FOR 12' FOUR SIDED HANGING FABRIC STRUCTURE                                      |
| 4   | TC-30-A-90°         | TC-30-A ASSEMBLED at 90°  |
| 4   | TC-30-A-90°-EYEBOLT | TC-30-A ASSEMBLED at 90° WITH 1/4-20 EYE BOLT   |
| 16  | TC-30-T             | T JUNCTION FOR 30MM TUBING  |

